

AXIS P3301/-V Fixed Dome Network Cameras

Discreet video surveillance with outstanding H.264 performance.



- > Superior image quality
- > Multiple H.264 streams
- > Unobtrusive and compact design
- > Intelligent video capabilities
- > Power over Ethernet
- > Advanced security and network management

AXIS P3301/-V Fixed Dome Network Cameras are designed for indoor environments where discreet and compact solutions are required. Offering superior video quality in multiple, efficiently compressed H.264 streams, they constitute the perfect solution for video surveillance systems with tough quality and efficiency requirements, e.g. in retail stores, schools, prisons, banks and airports.

AXIS P3301 and AXIS P3301-V offer superior image quality including progressive scan and wide dynamic range, providing crisp and clear images of both illuminated and low-light areas.

Multiple H.264 streams, as well as Motion JPEG streams, can be provided simultaneously either in full frame rate or individually optimized for different quality needs and bandwidth constraints.

The vandal-resistant AXIS P3301-V, and AXIS P3301 with its tamper-resistant casing, are fixed domes specifically adapted for unobtrusive video surveillance in exposed indoor environments.

Both network cameras include intelligent capabilities such as enhanced video motion detection, audio detection and detection of camera tampering attempts like blocking or spray-painting.

Power over Ethernet (IEEE 802.3af) supplies power to the cameras via the network, eliminating the need for power cables and reducing installation costs.

AXIS P3301 and AXIS P3301-V offer advanced security and network management features such as HTTPS encryption with preserved performance, IPv6 and Quality of Service.



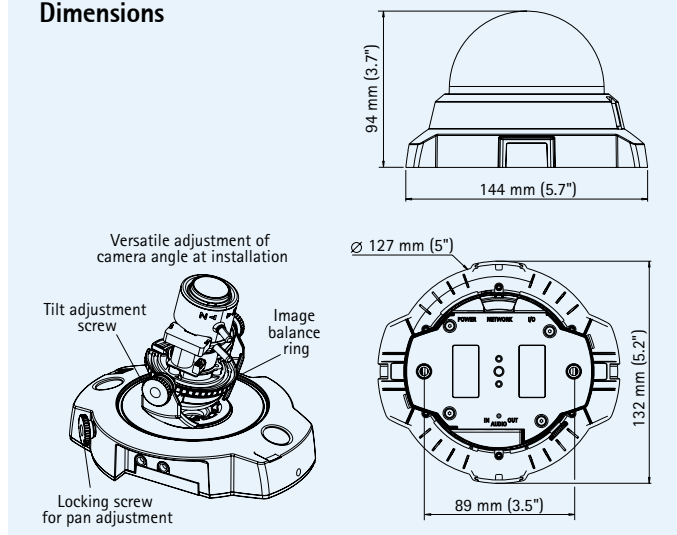
Technical specifications – AXIS P3301/-V Fixed Dome Network Cameras

Camera	
Models	AXIS P3301: Tamper-resistant casing AXIS P3301-V: Vandal-resistant casing
Image sensor	1/4" Progressive Scan RGB VGA CMOS
Lens	Varifocal 2.8 - 10 mm, F1.3, DC-iris Angle of view, horizontal: 23° - 72°
Minimum illumination	1 lux, F1.3
Shutter time	1/20000 s to 1/4 s
Camera angle adjustment	Pan 360°, tilt 170°, rotation 340°
Video	
Video compression	H.264 Motion JPEG
Resolutions	160x120 to 640x480
Frame rate H.264	30 fps in all resolutions
Frame rate Motion JPEG	30 fps in all resolutions
Video streaming	Multi-stream H.264 and Motion JPEG: 3 simultaneous, individually configured streams in max. resolution at 30 fps; more streams if identical or limited in frame rate/resolution Controllable frame rate and bandwidth VBR/CBR H.264
Image settings	Compression, color, brightness, sharpness, contrast, white balance, exposure control, exposure zones, backlight compensation, wide dynamic range, fine tuning of behavior at low light Rotation: 0°, 90°, 180°, 270° Mirroring of images Text and image overlay Privacy mask
Audio	
Audio streaming	Two-way, half duplex
Audio compression	AAC LC 8 kHz 32 kbit/s, 16 kHz 64 kbit/s G.711 PCM 8 kHz 64 kbit/s G.726 ADPCM 8 kHz 32 or 24 kbit/s
Audio input/output	Built-in microphone, external microphone input or line input, line level output

Network	
Security	Password protection, IP address filtering, HTTPS encryption, IEEE 802.1X network access control, digest authentication, user access log
Supported protocols	IPv4/v6, HTTP, HTTPS, QoS Layer 3 DiffServ, FTP, SMTP, Bonjour, UPnP, SNMPv1/v2c/v3(MIB-II), DNS, DynDNS, NTP, RTSP, RTP, TCP, UDP, IGMP, RTCP, ICMP, DHCP, ARP, SOCKS
System integration	
Application Programming Interface	Open API for software integration, including VAPIX® from Axis Communications available at www.axis.com
Intelligent video	Video motion detection, active tampering alarm, audio detection
Alarm triggers	Intelligent video and external input
Alarm events	File upload via FTP, HTTP and email Notification via email, HTTP and TCP External output activation
Video buffer	64 MB pre- and post alarm
General	
Casing	AXIS P3301: Tamper-resistant casing AXIS P3301-V: 1000 kg (2200 lb.) impact-resistant casing
Processor and memory	ARTPEC-3, 128 MB RAM, 128 MB Flash
Power	4.9 - 5.1 V DC max. 4 W Power over Ethernet IEEE 802.3af Class 2
Connectors	RJ-45 10BaseT/100BaseTX PoE, DC jack Terminal block for 1 alarm input and 1 output 3.5 mm mic/line in, 3.5 mm line out
Operating conditions	0 - 50 °C (32 - 122 °F) Humidity 20 - 80% RH (non-condensing)
Approvals	EN 55022 Class B, EN 61000-3-2, EN 61000-3-3, EN 55024 FCC Part 15 Subpart B Class B, ICES-003 Class B, VCCI Class B, C-tick AS/NZS CISPR 22, EN 60950-1 Power supply: EN 60950-1, UL, CSA
Weight	AXIS P3301: 425 g (0.94 lb.) AXIS P3301-V: 580 g (1.28 lb.)
Included accessories	Power supply, mounting and connector kits, Installation Guide, CD with installation tools, recording software and User's Manual, Windows decoder 1-user license

More information is available at www.axis.com

Dimensions



Optional accessories

Drop-ceiling mount



Black casing



Various mounting kits



For information on AXIS Camera Station and video management software from Axis' Application Development Partners, see www.axis.com/products/video/software/