

H4 SL Dome Camera with LightCatcher[™] Technology

Built on the Avigilon[™] H4 platform, the H4 SL camera line combines exceptional image quality with an innovative and modular design that is easy to install at a cost-effective price. It harnesses our High Definition Stream Management (HDSM)[™] technology to efficiently manage video data and uses idle scene mode technology to lower bandwidth and storage usage when there is no motion detected in the scene. The H4 SL camera line integrates with Avigilon Control Center (ACC)[™] video management software and is ONVIF compliant for integration with a third-party VMS.



Straight out of the box, the H4 SL camera is designed and packaged for simple ordering and quick and flexible installation. This camera line's discreet and modular design allows it to seamlessly fit in to its surroundings. Dome models come with surface and in-ceiling mounts that can quickly and easily be alternated. The H4 SL camera's IK10-rated, vandal-resistant and IP66 dust and water-resistant housing make it ideal for monitoring a variety of indoor and outdoor environments, such as hallways, public entrances and lobbies of banks, schools, retail outlets and hotels.

KEY FEATURES

1.3 and 2.0 megapixel resolution models
Patented High Definition Stream Management (HDSM) Technology
3-9 mm F/1.4 lens with remote zoom and focus
Content adaptive IR technology provides effective illumination through the field of view, while maintaining exceptional scene illumination
Wi-Fi camera configuration support
Avigilon LightCatcher [™] technology provides exceptional image quality in low light environments
Dual Exposure Wide Dynamic Range
Integrated IR (Infrared) LEDs provide uniform illumination in the dark, even at 0 lux, up to maximum of 15 m (~50 ft) away
Idle Scene Mode lowers bandwidth and storage usage if there are no motion events detected in the scene
IK10 vandal resistant construction and IP66 compliant

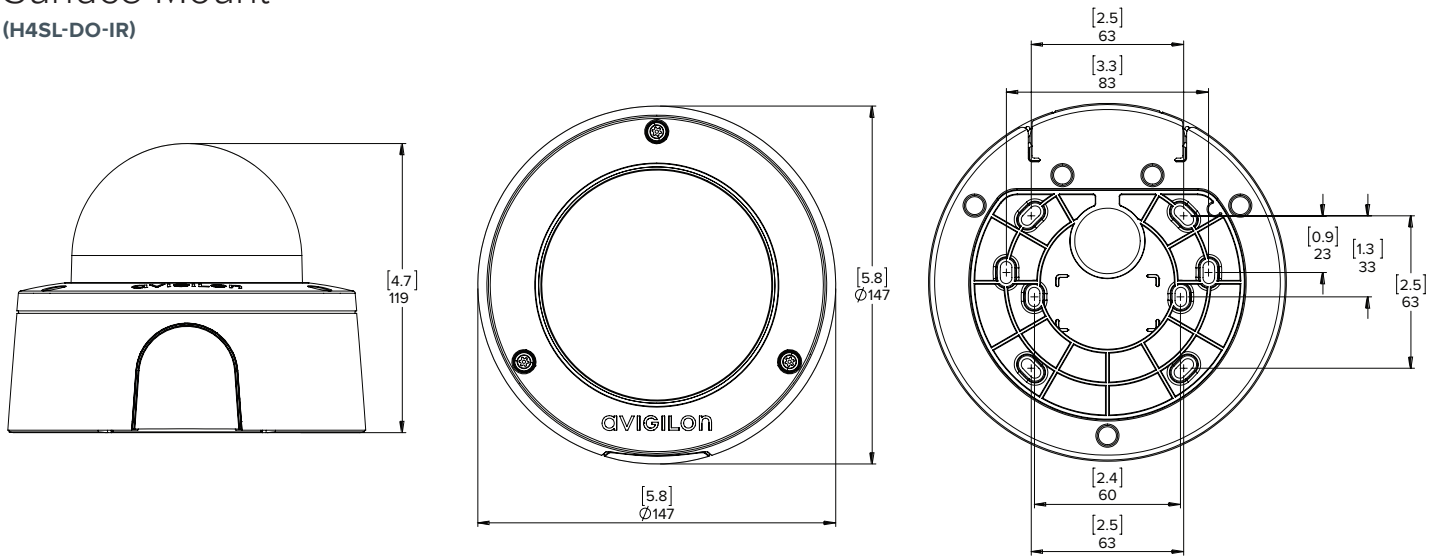
Specifications

	1.3 MP				2.0 MP					
IMAGE PERFORMANCE	Image Sensor	1/2.8" progressive scan CMOS								
	Aspect Ratio	5:4				16:9				
	Active Pixels (H x V)	1280 x 1024				1920 x 1080				
	Imaging Area (H x V)	3.7 mm x 3.0mm; 0.145" x 0.118"				5.6 mm x 3.1mm; 0.22" x 0.122"				
	IR Illumination (high power 850 nm LEDs)	15 m (50 ft) max. distance at 0 lux								
	Minimum Illumination	0.01 lux (F/1.4) in color mode; 0 lux (F/1.4) in monochrome mode with IR								
	Image Rate	30 fps								
	Dynamic Range	100 dB								
	Resolution Scaling	Down to 384 x 216								
	LENS	Lens	F/1.4, 3-9 mm, motorized, varifocal							
(Aspect ratio) HFoV		(5:4) 26° – 60°; (16:9) 39° – 90°								
IMAGE CONTROL	Image Compression Method	H.264 (MPEG-4 Part 10/AVC), Motion JPEG								
	Streaming	Multi-stream H.264 and Motion JPEG								
	Bandwidth Management	HDSM; Idle Scene Mode								
	Motion Detection	Pixel								
	Electronic Shutter Control	Automatic, Manual (1/6 to 1/8000 sec)								
	Iris Control	Automatic, Manual								
	Day/Night Control	Automatic, Manual								
	Flicker Control	50 Hz, 60 Hz								
	White Balance	Automatic, Manual								
	Backlight Compensation	Adjustable								
	Privacy Zones	Up to 64 zones								
	NETWORK	Network	100BASE-TX							
Cabling Type		CAT5								
Connector		RJ-45								
ONVIF		ONVIF compliant with version 1.02, 2.00, Profile S								
Security		Password protection, HTTPS encryption, digest authentication, WS authentication, user access log, 802.1x port based authentication								
Protocols		IPv4, HTTP, HTTPS, SOAP, DNS, NTP, RTSP, RTP, TCP, UDP, IGMP, ICMP, DHCP, Zeroconf, ARP								
Streaming Protocols		RTP/UDP, RTP/UDP multicast, RTP/RTSP/TCP, RTP/RTSP/HTTP/TCP, RTP/RTSP/HTTPS/TCP, HTTP								
Device Management Protocols		SNMP v2c, SNMP v3								
PERIPHERALS		USB Port	USB 2.0							
		Onboard Storage	microSD/microSDHC/microSDXC slot – minimum class 6; class 10/UHS-1 or better recommended							
MECHANICAL		SURFACE MOUNT		IN-CEILING MOUNT		PENDANT MOUNT				
						NPT ADAPTER		NPT + WALL MOUNT		
	Dimensions (LxWxH)	147 mm x 147 mm x 119 mm; 5.8" x 5.8" x 4.7"		174 mm x 174 mm x 162 mm; 6.9" x 6.9" x 6.4"		153 mm x 153 mm x 166 mm; 6.0" x 6.0" x 6.5"		269 mm x 153 mm x 214 mm; 10.6" x 6.0" x 8.4"		
	Max. Ceiling Thickness	n/a		32 mm (1.25")		n/a		n/a		
	Weight	0.78 kg; 1.72 lbs		0.77 kg; 1.69 lbs		0.77 kg; 1.69 lbs		2.04 kg; 4.49 lbs		
	Dome Bubble	Polycarbonate, clear								
	Body	Polycarbonate						Polycarbonate/aluminum		
	Housing	Vandal resistant								
	Finish	Fog coat, cool grey						Powder coat, cool grey		
	Adjustment Range	360° pan, 30° – 95° tilt, ±180° azimuth								
ELECTRICAL	Power Consumption	7 W max								
	Power Source	PoE: IEEE802.3af Class 3 compliant								
	RTC Backup Battery	3V manganese lithium								
ENVIRONMENTAL	Operating Temperature	-30 °C to +60 °C (-22 °F to 140 °F)								
	Storage Temperature	-10 °C to +70 °C (14 °F to 158 °F)								
	Humidity	0 - 95% non-condensing								
CERTIFICATIONS	Certifications/Directives	UL	cUL	CE	ROHS	WEEE	RCM	EAC	KC	
	Safety	UL 60950-1		CSA 60950-1		IEC/EN 60950-1		IEC 62471		
	Environmental	IK10 Impact Rating		UL/CSA/IEC 60950-22		IEC 60529 IP66 Rating				
	Electromagnetic Emissions	FCC Part 15 Subpart B Class B		IC ICES-003 Class B	KN 32	EN 55022 Class B	EN 61000-6-3	EN 61000-3-2	EN 61000-3-3	EN 55032
	Electromagnetic Immunity	EN 55024				KN 35	EN 61000-6-1		EN 50130-4	

Outline Dimensions

Surface Mount

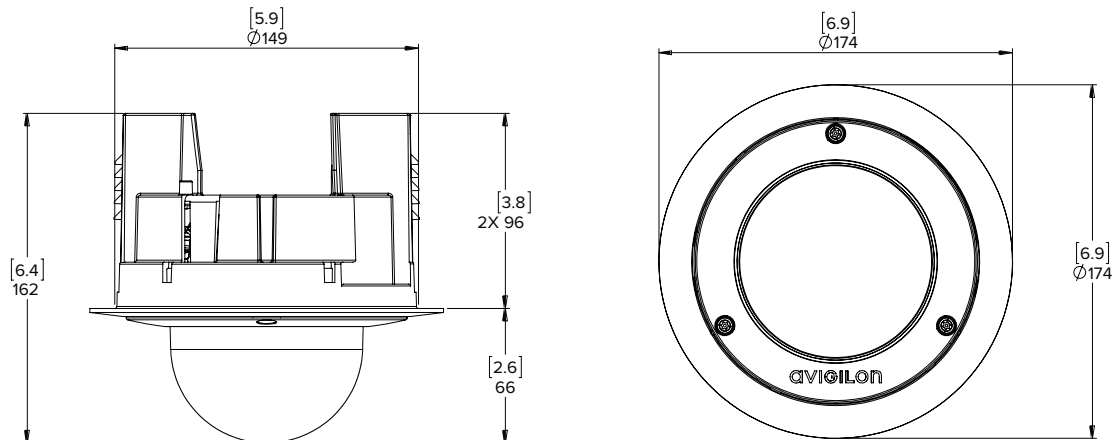
(H4SL-DO-IR)



In-Ceiling Mount

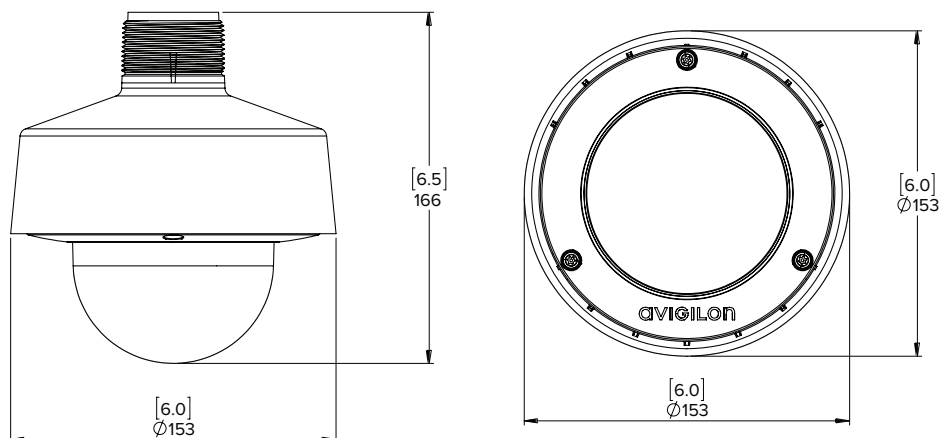
(H4SL-DO-IR + H4SL-MT-DCIL)

[X.X]	INCHES
X	MM



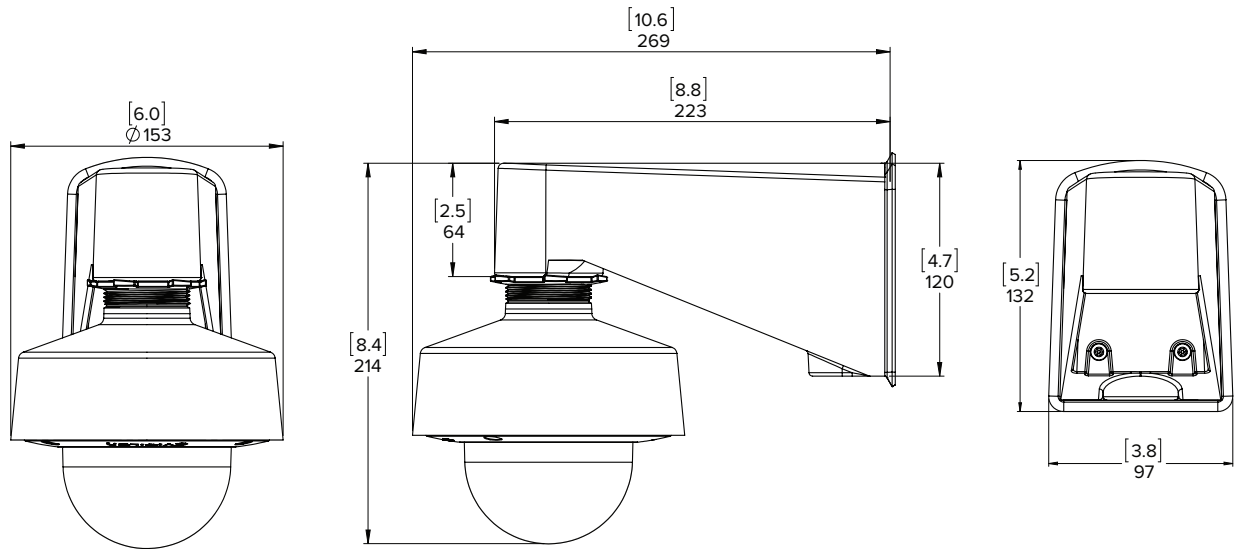
NPT Adapter

(H4SL-DO-IR + H4SL-MT-NPTA)



NPT Adapter and Pendant Wall Mount

(H4SL-DO-IR + H4SL-MT-NPTA + CM-MT-WALL1)



Ordering Information

	MP	WDR	LIGHTCATCHER TECHNOLOGY	LENS	IR	IP66
1.3C-H4SL-DO1-IR	1.3	✓	✓	3 - 9 mm	✓	✓
2.0C-H4SL-DO1-IR	2.0	✓	✓	3 - 9 mm	✓	✓
H4SL-MT-DCIL1	In-ceiling mounting adapter for the H4 SL dome camera					
H4SL-MT-NPTA1	NPT adapter for the H4 SL dome camera					
CM-MT-WALL1	Pendant wall mount					
H4-DC-CPNL1	Metal Ceiling Panel					
H4-AC-WIFI1-NA	USB Wi-Fi Adapter for North America, Latin America (except Brazil), Taiwan					
H4-AC-WIFI2-EU	USB Wi-Fi Adapter for European Union					