

Enclosure Mounting Accessories

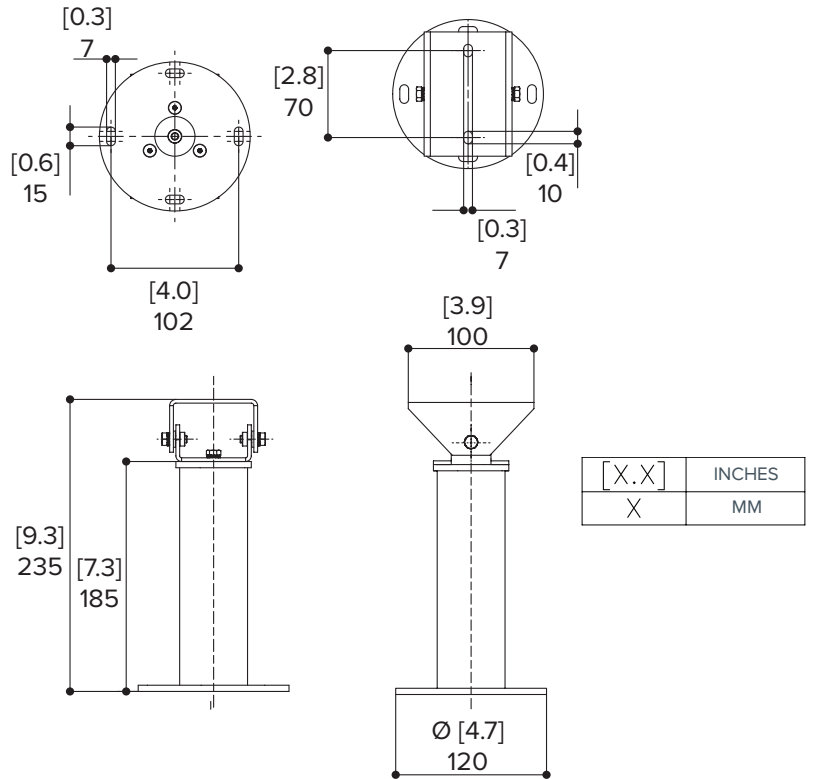


Avigilon carries a comprehensive line of mounting brackets and adapters for use with ES-HD-HWS-SM, ES-HD-HWS, ES-HD-CWS, ES-HD-HWS-LG, ES-HD-CWS-LG.

MOUNTING BRACKETS

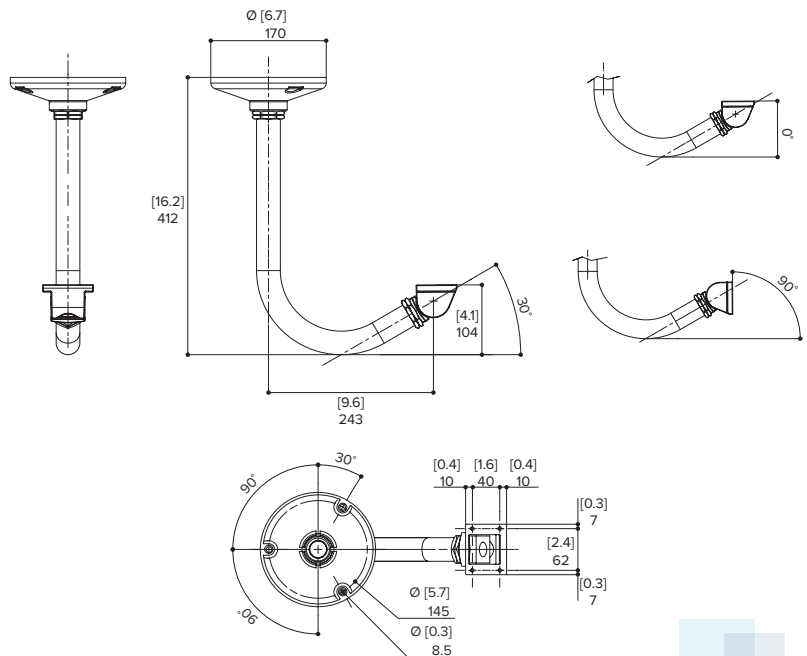
ES-HD-MNT-PAR

	Parapet mounting bracket. Replaces supplied ball joint bracket.
Finish	Epoxypolyester powder painting, RAL 9002 color
Mounting Hardware	Stainless steel screws
Weight	0.5 kg (1.1 lb)
Length	185 mm (7.3")
Load Rating	15 kg (33 lb)



ES-HD-MNT-ARM

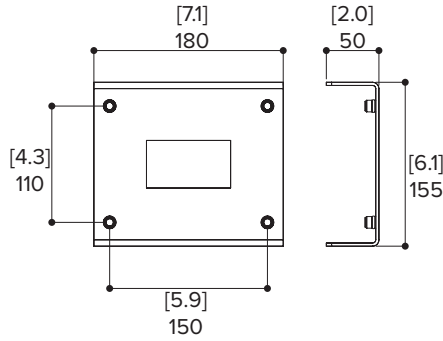
	Ceiling mounting bracket with cable feedthrough channel. Replaces supplied ball joint bracket.
Finish	Epoxypolyester powder painting, RAL 9002 color
Mounting Hardware	Stainless steel screws
Weight	1.3 kg (2.8 lb)
Length	412 mm (16.2")
Load Rating	15 kg (33 lb)



MOUNTING ADAPTERS

ES-HD-MNT-POLE-LG Large pole mount adapter, includes pole straps.

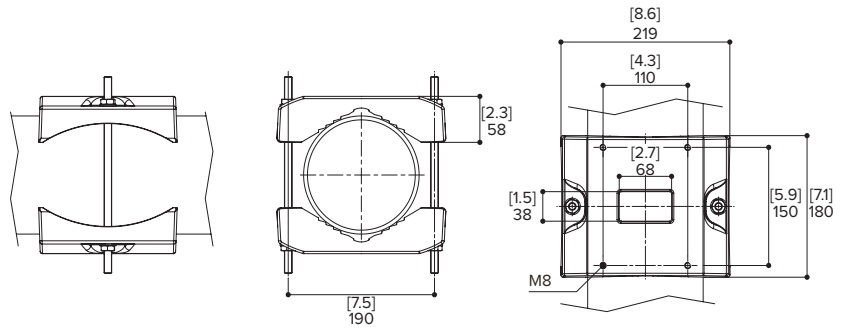
Finish	Epoxypolyester powder painting, RAL 9002 color
Mounting Hardware	Stainless steel screws and cable straps (for ES-HD-MNT-POLE-LG)
Weight	1.9 kg (4.2 lb)
Pole Diameter	210 mm to 225 mm (8.2" to 8.85")
Load Rating	25 kg (55 lb)



[X.X]	INCHES
X	MM

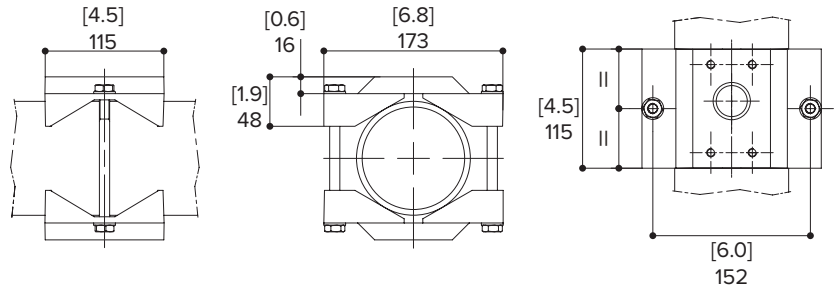
ES-HD-MNT-POLE-MD Medium pole mount with dual camera adapter. ES-HD-MNT-PLATE required to add second mounting point.

Finish	Epoxypolyester powder painting, RAL 9002 color
Mounting Hardware	Stainless steel screws
Weight	2.6 kg (5.7 lb)
Pole Diameter	80 mm to 150 mm (3.14" to 5.9")
Load Rating	50 kg (110 lb)



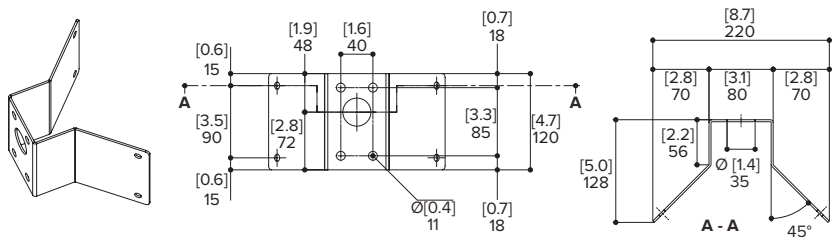
ES-HD-MNT-POLE-SM Small pole mount with dual camera adapter.

Finish	Epoxypolyester powder painting, RAL 9002 color
Mounting Hardware	Stainless steel screws
Weight	0.9 kg (2.2 lb)
Pole Diameter	65mm to 110 mm (2.5" to 4.3")
Load Rating	30 kg (60 lb)



ES-HD-MNT-CORNER Corner mount adapter, compatible with supplied ball joint bracket

Finish	Epoxypolyester powder painting, RAL 9002 color
Mounting Hardware	Stainless steel screws
Weight	1.0 kg (2.2 lb)
Load Rating	30 kg (66 lb)



ES-HD-MNT-PLATE Corner mount adapter, compatible with supplied ball joint bracket

Finish	Epoxypolyester powder painting, RAL 9002 color
Mounting Hardware	Stainless steel screws
Weight	0.6 kg (1.3 lb)
Load Rating	50 kg (110 lb)

