

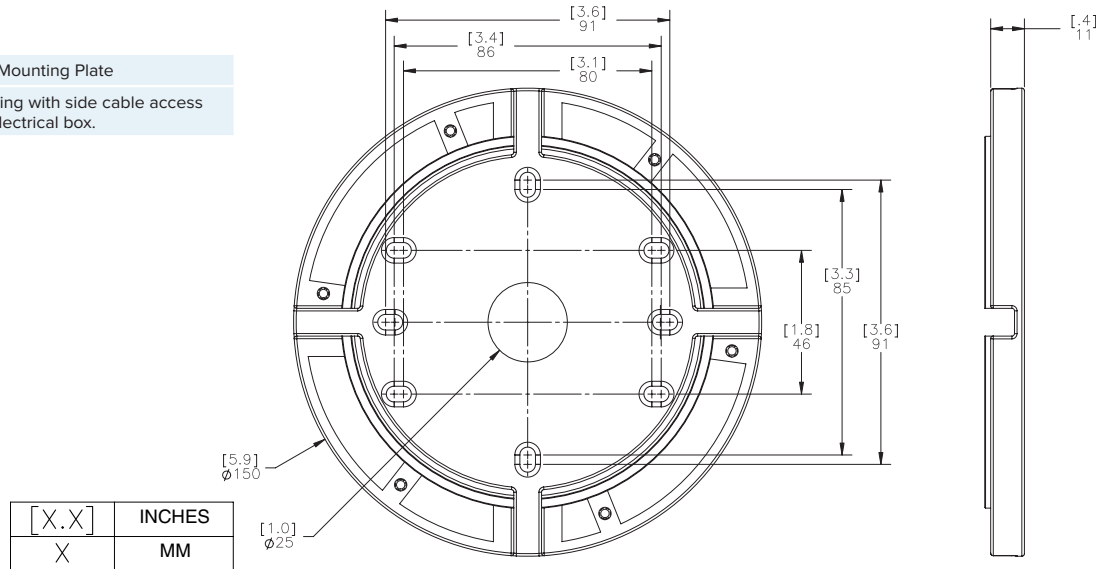
# JPEG2000 HD Dome Camera Mounts



## INDOOR MOUNTS

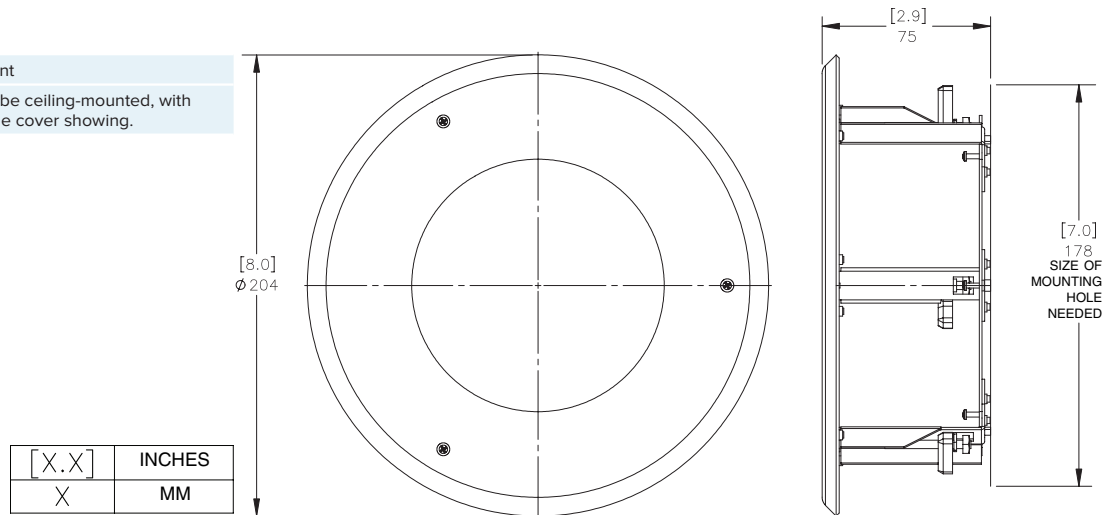
### DOME-INDE-PLT

**Indoor Electrical Box Mounting Plate**  
 Allows surface mounting with side cable access and mounting to an electrical box.



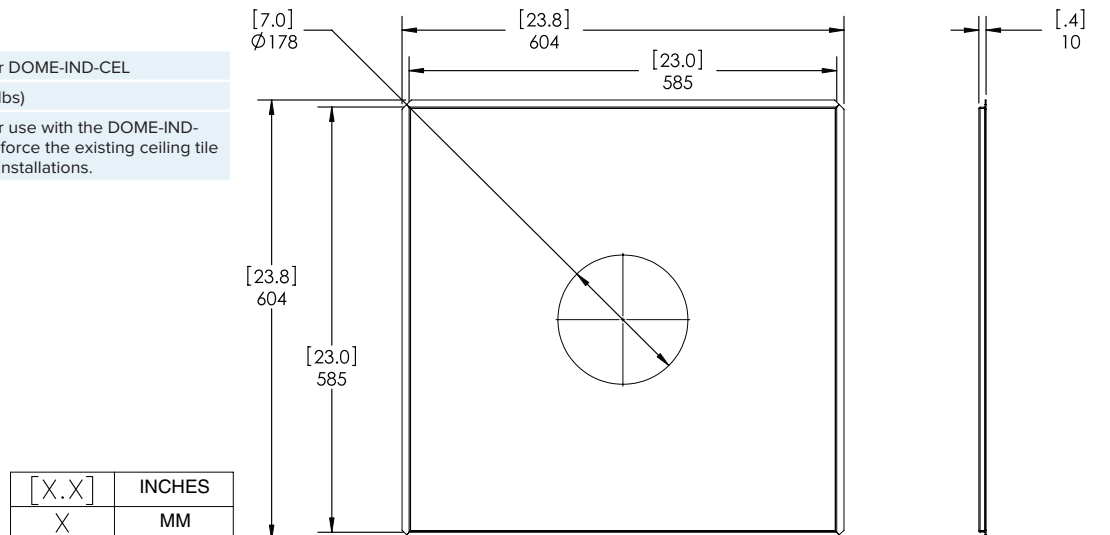
### DOME-IND-CEL

**Indoor In-Ceiling Mount**  
 Allows the camera to be ceiling-mounted, with only the external dome cover showing.



### IND-CEL-PNL

**Metal ceiling panel for DOME-IND-CEL**  
 Weight: 1.56 kg (3.45 lbs)  
 Metal ceiling panel for use with the DOME-IND-CEL to replace or reinforce the existing ceiling tile in suspended ceiling installations.



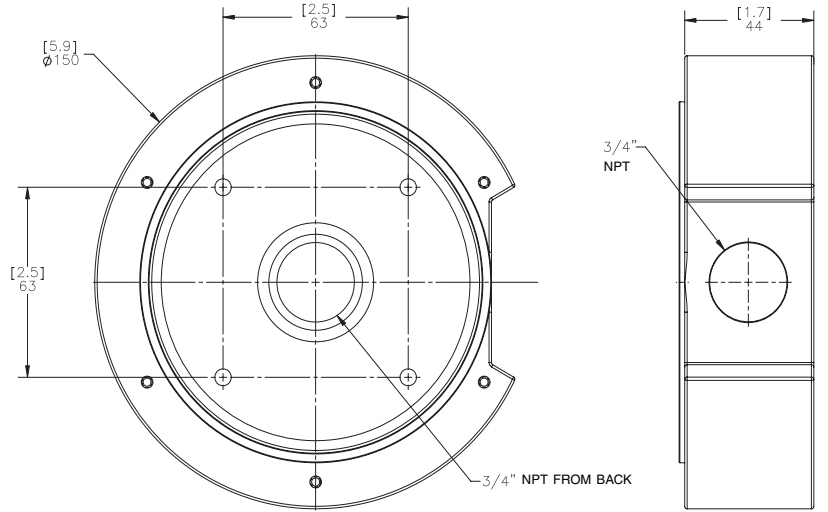
ACCESSORIES

## INDOOR/OUTDOOR MOUNTS

### DOME-OD-BASE

#### Indoor/Outdoor Mounting Base

Creates an IP66 enclosure with IK10 impact rating and allows conduit connection and pipe mounting.

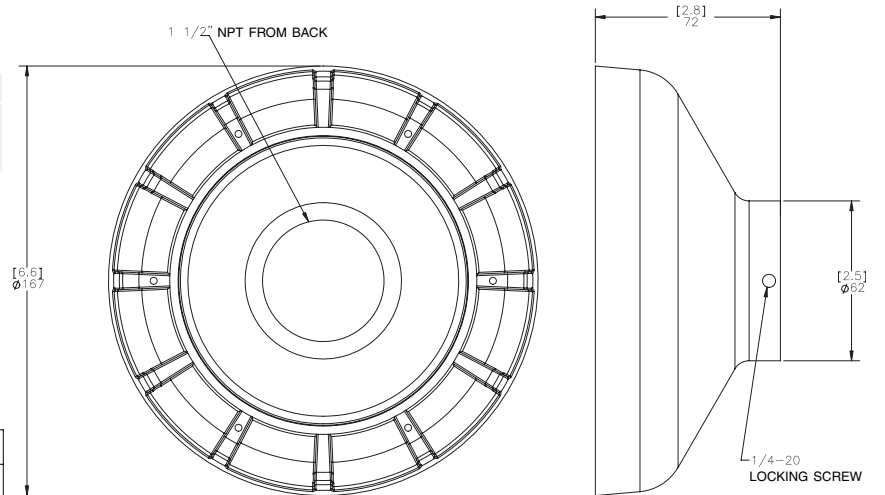


|       |        |
|-------|--------|
| [X.X] | INCHES |
| X     | MM     |

### DOME-OD-PEND

#### Indoor/Outdoor Pendant Mount

Creates an IP66 enclosure with IK10 impact rating for connection to industry-standard pendant mounts.



|       |        |
|-------|--------|
| [X.X] | INCHES |
| X     | MM     |