

2.0 Megapixel Day/Night 20x HD PTZ Pendant Dome Camera



Avigilon's end-to-end surveillance solutions deliver image detail no other system can match. Avigilon Control Center software, featuring High-Definition Stream Management™ (HDSM™) technology combined with our broad range of megapixel cameras (from 1 MP to 29 MP) provide unprecedented clarity—while effectively managing storage and bandwidth requirements. Our components are scalable and can work together in an end-to-end system, or can be customized to create your own powerful and cost-effective solution.

The innovative HD PTZ camera is just one way Avigilon can help provide the very best monitoring and protection.

HD PTZ CAMERA



The HD PTZ camera offers unsurpassed image quality with precise positioning and predictable high-speed tracking. Underpinned by the H3 platform, the HD PTZ camera takes advantage of enhanced High-Definition Stream Management™ technology which lowers bandwidth and storage requirements, and provides incredible low light performance. The camera features a 20x optical zoom with up to 12x digital zoom, and provides continuous 360° degree rotation at up to 450° per second. This indoor and outdoor mounted camera is targeted specifically at expansive areas with manned operations, such as large retail chains, airports, petrochemical, casinos and city surveillance.

*Mount sold separately (MNT-PEND-WALL)

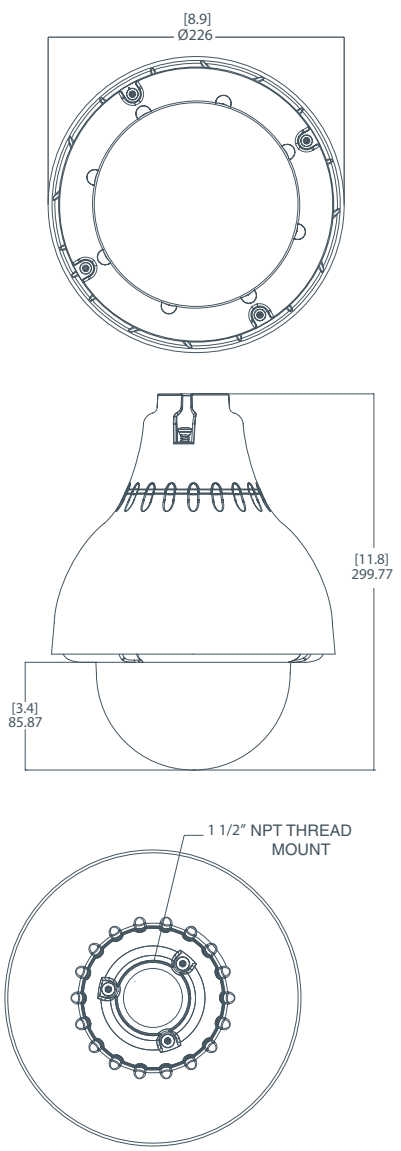
KEY FEATURES

- 2.0 megapixel progressive scan CMOS sensor
- Easily track targets with 360 degree endless rotation
- Able to move at up to 450 degrees per second
- 4.7 - 94mm, F1.6 lens with 20x zoom
- Provides smooth operation and captures fluid motion at 30 frames per second
- 0.4 lux (F1.6) minimum illumination in color mode and 0.04 lux (F1.6) minimum illumination in monochrome mode
- H.264 and Motion JPEG compression
- ONVIF compliant API
- Hide sensitive areas with 3D privacy mask
- Automatic exposure control and iris control
- Automatic removable IR cut filter for IR sensitivity at night
- Power over Ethernet, 24 VAC or 24 VDC power input
- Supports broad environmental conditions for challenging outdoor installations
- External microphone and speaker support for two-way audio
- External I/O interface for connecting alarms and relays

Specifications

CAMERA	Image Sensor	WDR 1/2.8" progressive scan CMOS		
	Active Pixels	1920 (H) x 1080 (V)		
	Imaging Area	4.8 mm (H) x 2.7 mm (V) (0.189" (H) x 0.106" (V))		
	Minimum Illumination	0.4 lux (F1.6) in color mode; 0.04 lux (F1.6) in monochrome mode		
	Dynamic Range	100dB		
	Lens	4.7-94 mm, 20x zoom, F1.6 and automatic focus		
	Angle of View	2.9° - 55.2°		
	Image Compression Method	H.264 (MPEG-4 Part 10/AVC), Motion JPEG		
	Image Rate	30 (all resolutions)		
	Streaming	Multi-stream H.264 and Motion JPEG		
	Resolution Scaling	Down to 352 x 240		
	Motion Detection	Selectable sensitivity and threshold		
	Electronic Shutter Control	Automatic, Manual (1/6 to 1/8000 sec)		
	Iris Control	Automatic, Manual		
	Day/Night Control	Automatic, Manual		
	Flicker Control	50 Hz, 60 Hz		
	White Balance	Automatic, Manual		
	Privacy Zones	Up to 4 zones, 3D privacy mask supported		
	Presets	100 named presets		
	Tours	10 named guard tours		
	Audio Compression Method	G.711 PCM 8 kHz		
	Audio Input	Line input		
	Audio Output	Line level		
Video Output	NTSC/PAL			
External I/O Terminals	2 Alarm In, 2 Alarm Out			
NETWORK	Network	100BASE-TX		
	Cabling Type	CAT5		
	Connector	RJ-45		
	API	ONVIF compliant (www.onvif.org)		
	Security	Password protection, HTTPS encryption, digest authentication, WS authentication, user access log.		
	Protocol	IPv4, HTTP, HTTPS, SOAP, DNS, NTP, RTSP, RTCP, RTP, TCP, UDP, IGMP, ICMP, DHCP, Zeroconf, ARP		
	Streaming Protocols	RTP/UDP, RTP/UDP multicast, RTP/RTSP/TCP, RTP/RTSP/HTTP/TCP, RTP/RTSP/HTTP/TCP, HTTP		
MECHANICAL	Dimensions (ØxH)	226 mm x 299.77 mm (8.9" x 11.8")		
	Weight	3.9 kg (8.6 lbs)		
	Dome Bubble	Acrylic, clear		
	Body	Aluminum		
	Housing	Pendant mount		
	Finish	Powder coat, cool gray 2		
	Tilt	186°, E-flip, 0.05 - 360°/sec		
Pan	360°, endless, 0.05 - 450°/sec			
ELECTRICAL	Power Source	VDC: 24 V	PoE: IEEE 802.3at Class 4 PoE Plus compliant	
		VAC: 24 V		
	Power Consumption	25 W with IEEE 802.3at Class 4 PoE Plus 44 W with external power		
Power Connector	Waterproof 2-pin connector			
ENVIRONMENTAL	Operating Temperature	-30 °C to + 50 °C (-22 °F to 122 °F) with IEEE 802.3at Class 4 PoE Plus power -45 °C to + 50 °C (-50 °F to 122 °F) with external power		
	Storage Temperature	-10 °C to +70 °C (14 °F to 158 °F)		
	Humidity	20 - 80% Relative humidity (non-condensing)		
CERTIFICATIONS	Safety	UL 60950	CVV	
		CSA 60950	C-Tick	
		CB Scheme		
	Environment	IK09 Impact Rating	Meets IP66 Weather Rating	
	Electromagnetic Emission	FCC Part 15 Subpart B Class B IC ICES-003 Class B	EN 55022 Class B	
Electromagnetic Immunity	EN 55024 Class B	EN 61000-4-4	EN 61000-4-11	
	EN 61000-4-2	EN 61000-4-5		
	EN 61000-4-3	EN 61000-4-6		
ORDERING INFORMATION	2.0W-H3PTZ-DP20	2.0 Megapixel Day/Night 20x HD PTZ Pendant Dome Camera		
	MNT-PEND-WALL	Indoor/Outdoor Pendant Mount Bracket		
	H3PTZ-DP-SMOKE	Dome Camera Cover with Smoked Bubble		

Outline Dimensions



[X.X]	INCHES
X	MM