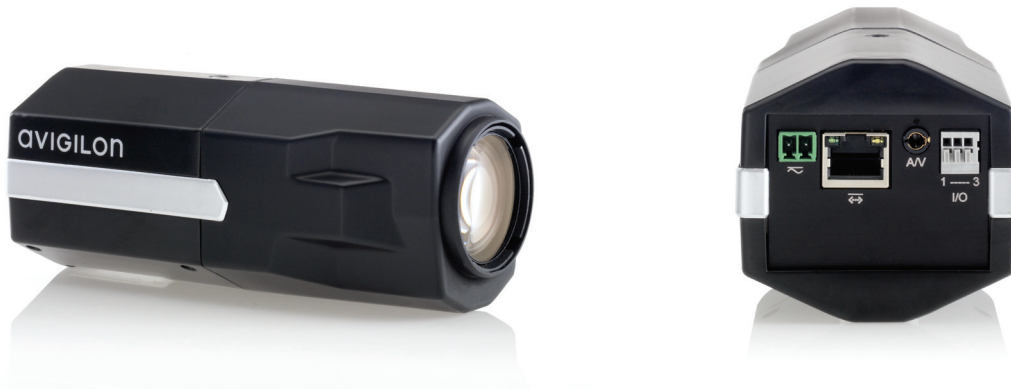


# 2.0 Megapixel Day/Night H.264 HD 4.7-84.6mm Camera



Avigilon's end-to-end surveillance solutions deliver image detail no other system can match. Avigilon Control Center software, featuring High-Definition Stream Management™ (HDSM™) technology combined with our broad range of megapixel cameras (from 1 MP to 29 MP) provide unprecedented clarity—while effectively managing storage and bandwidth requirements. Our components are scalable and can work together in an end-to-end system, or can be customized to create your own powerful and cost-effective solution.

The innovative HD H.264 camera is just one way Avigilon can help provide the very best monitoring and protection.



The 2.0MP H.264 HD camera features an integrated lens for remote focus and zoom control, and is ONVIF compliant for no-hassle integration. It operates on Avigilon's H3 platform, providing this model with improved low light performance and enhanced HDSM features. This camera is extremely versatile and can work in almost any location, including banks, schools, retail outlets, municipal grounds and buildings, hotels, bars and restaurants.

## KEY FEATURES

- 2.0 megapixel progressive scan CMOS sensor
- Unsurpassed image quality
- 4.7-84.6mm, F1.6 lens with remote focus and zoom
- 30 images per second at full resolution
- 69dB true dynamic range
- 0.4 lux minimum illumination in color mode and 0.04 lux minimum illumination in monochrome mode
- H.264 and Motion JPEG compression
- ONVIF compliant API
- Multiple video streams
- Automatic exposure control and iris control
- Automatic removable IR cut filter for IR sensitivity at night
- Power over Ethernet, 24 VAC or 12 VDC power input
- Audio Input and Output
- Analog Video Output
- External I/O

# Specifications

# Outline Dimensions

| CAMERA                     |  |
|----------------------------|--|
| Image Sensor               | 1/3" progressive scan CMOS                                       |
| Active Pixels              | 1920 (H) x 1080 (V)  |
| Imaging Area               | 4.2 mm (H) x 2.4 mm (V) (0.165" (H) x 0.094" (V))                |
| Minimum Illumination       | 0.4 lux (F1.6) in color mode; 0.04 lux (F1.6) in monochrome mode |
| Dynamic Range              | 69 dB  |
| Lens                       | 4.7-84.6 mm, F1.6, auto-Iris, remote focus and zoom              |
| Angle of View              | 3° - 52°   |
| Image Compression Method   | H.264 (MPEG-4 Part 10/AVC), Motion JPEG                          |
| Image Rate                 | 30 (all resolutions)   |
| Streaming                  | Multi-stream H.264 and Motion JPEG                               |
| Resolution Scaling         | Down to 768 x 432  |
| Motion Detection           | Selectable sensitivity and threshold                             |
| Electronic Shutter Control | Automatic, Manual (1/6 to 1/8000 sec)                            |
| Iris Control               | Automatic, Manual  |
| Day/Night Control          | Automatic, Manual  |
| Flicker Control            | 50 Hz, 60 Hz   |
| White Balance              | Automatic, Manual  |
| Privacy Zones              | Up to 4 zones  |
| Audio Compression Method   | G.711 PCM 8 kHz  |
| Audio Input                | Line input, A/V mini-jack (3.5 mm)                               |
| Audio Output               | Line level, A/V mini-jack (3.5mm)                                |
| Video Output               | NTSC/PAL, A/V mini-jack (3.5 mm)                                 |
| External I/O Terminals     | Alarm In, Alarm Out  |

| NETWORK             |   |
|---------------------|---|
| Network             | 100BASE-TX  |
| Cabling Type        | CAT5  |
| Connector           | RJ-45   |
| API                 | ONVIF compliant ( <a href="http://www.onvif.org">www.onvif.org</a> )                              |
| Security            | Password protection, HTTPS encryption, digest authentication, WS authentication, user access log. |
| Protocol            | IPv4, HTTP, HTTPS, SOAP, DNS, NTP, RTSP, RTCP, RTP, TCP, UDP, IGMP, ICMP, DHCP, Zeroconf, ARP     |
| Streaming Protocols | RTP/UDP, RTP/UDP multicast, RTP/RTSP/TCP, RTP/RTSP/HTTP/TCP, RTP/RTSP/HTTPS/TCP, HTTP             |

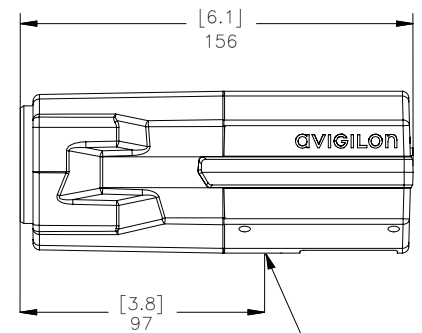
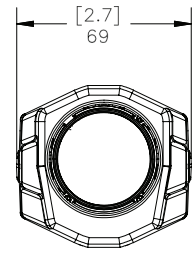
| MECHANICAL         |   |
|--------------------|---|
| Dimensions (LxWxH) | 156 mm x 69 mm x 64 mm (6.1" x 2.7" x 2.5") |
| Weight             | 0.56 kg (1.2 lbs)                           |
| Camera Mount       | 1/4" UNC-20 (top and bottom)                |

| ELECTRICAL        |  |
|-------------------|--|
| Power Source      | VDC: 12 V<br>VAC: 24 V<br>PoE: IEEE802.3af Class 3 compliant |
| Power Consumption | 6 W  |
| Power Connector   | 2-pin terminal block   |

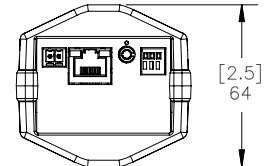
| ENVIRONMENTAL         |   |
|-----------------------|---|
| Operating Temperature | -10 °C to +50 °C (14 °F to 122 °F)          |
| Storage Temperature   | -10 °C to +70 °C (14 °F to 158 °F)          |
| Humidity              | 20 - 80% Relative humidity (non-condensing) |

| CERTIFICATIONS            |  |   |
|---------------------------|--|---|
| Safety                    | UL 60950<br>CSA 60950<br>EN 60950-1                                      | CE<br>ROHS<br>WEEE                            |
| Electromagnetic Emissions | FCC Part 15 Subpart B Class B<br>IC ICES-003 Class B<br>EN 55022 Class B |   |
| Electromagnetic Immunity  | EN 55024<br>EN 61000-4-2<br>EN 61000-4-3<br>EN 61000-4-4                 | EN 61000-4-5<br>EN 61000-4-6<br>EN 61000-4-11 |

| ORDERING INFORMATION |  |  |
|----------------------|--|--|
| 2.0-H3-B1            | 2.0 Megapixel Day/Night H.264 HD 4.7-84.6mm Camera |  |



MOUNTING POINT  
1/4"-20 UNC  
(TOP AND BOTTOM)



|       |        |
|-------|--------|
| [X.X] | INCHES |
| X     | MM     |