

1.3 Megapixel H.264 HD Camera with LightCatcher™ Technology



Avigilon’s end-to-end surveillance solutions deliver image detail no other system can match. Avigilon Control Center software, featuring High-Definition Stream Management™ (HDSM™) technology combined with our broad range of megapixel cameras (from 1 MP to 29 MP) provide unprecedented clarity—while effectively managing storage and bandwidth requirements. Our components are scalable and can work together in an end-to-end system, or can be customized to create your own powerful and cost-effective solution.

The innovative H.264 HD camera is just one way Avigilon can help provide the very best monitoring and protection.



In environments where low-light conditions exist, capturing a crisp image in color can have a significant impact in the ability to recognize, identify and respond effectively to incidents that may occur. Avigilon’s 1.3 MP H.264 HD camera features advanced LightCatcher™ technology, which collects significantly more detail from a low-light scene to produce a higher quality color image with less noise. Operating on Avigilon’s upgraded H3 platform, this camera is ONVIF compliant for seamless integration with the Avigilon Control Center and other leading VMS solutions. Avigilon’s 1.3 MP HD camera with LightCatcher™ technology is ideal for all situations where surveillance with monochrome images is not acceptable, such as hotel lobbies, restaurants, stairwells, or commercial premises

KEY FEATURES

1.3 megapixel progressive scan CMOS sensor
Avigilon LightCatcher™ technology provides unsurpassed image quality in low light environments
Available with 3-9 mm F1.2 P-Iris lens with remote focus and zoom
30 images per second at full resolution
71 dB true dynamic range
H.264 and Motion JPEG compression
ONVIF API compliance with version 1.02, 2.00 and Profile S
Multiple video streams
Automatic removable IR cut filter for IR sensitivity at night
Power over Ethernet, 24 VAC or 12 VDC power input
Audio Input and Output
Analog Video Output
External I/O

Specifications

CAMERA

Image Sensor	1/3" progressive scan CMOS
Active Pixels	1280 (H) x 1024 (V)
Imaging Area	4.8 mm (H) x 3.84 mm (V); 0.189" (H) x 0.151" (V)
Minimum Illumination	0.02 lux (F1.2) in color mode; 0.002 lux (F1.2) in monochrome mode
Dynamic Range	71 dB
Lens	3.9 mm, F1.2, P-Iris, remote focus and zoom
Angle of View	30° - 88°
Image Compression Method	H.264 (MPEG-4 Part 10/AVC), Motion JPEG
Image Rate	30 (all resolutions)
Streaming	Multi-stream H.264 and Motion JPEG
Resolution Scaling	Down to 768 x 432
Motion Detection	Selectable sensitivity and threshold
Electronic Shutter Control	Automatic, Manual (1/6 to 1/2000 sec)
Iris Control	Automatic, Manual
Day/Night Control	Automatic, Manual
Flicker Control	50 Hz, 60 Hz
White Balance	Automatic, Manual
Privacy Zones	Up to 4 zones
Audio Compression Method	G.711 PCM 8 kHz
Audio Input	Line input, A/V mini-jack (3.5 mm)
Audio Output	Line level, A/V mini-jack (3.5 mm)
Video Output	NTSC/PAL, A/V mini-jack (3.5 mm)
External I/O Terminals	Alarm In, Alarm Out

NETWORK

Network	100BASE-TX
Cabling Type	CAT5
Connector	RJ-45
API	ONVIF compliance version 1.02, 2.00, Profile S (www.onvif.org)
Security	Password protection, HTTPS encryption, digest authentication, WS authentication, user access log.
Protocol	IPv4, HTTP, HTTPS, SOAP, DNS, NTP, RTSP, RTP, TCP, UDP, IGMP, ICMP, DHCP, Zeroconf, ARP
Streaming Protocols	RTP/UDP, RTP/UDP multicast, RTP/RTSP/TCP, RTP/RTSP/HTTP/TCP, RTP/RTSP/HTTPS/TCP, HTTP

MECHANICAL

Dimensions (LxWxH)	115mm x 67mm x 53mm (4.5" x 2.6" x 2.1")
Weight	0.47 kg (1.0 lbs)
Camera Mount	1/4" UNC-20 (top and bottom)

ELECTRICAL

Power Consumption	4.5 W
Power Source	VDC: 12 V +/- 10% VAC: 24 V +/- 10% PoE: IEEE802.3af Class 3 compliant
Power Connector	2-pin terminal block

ENVIRONMENTAL

Operating Temperature	-10 °C to +50 °C (14 °F to 122 °F)
Storage Temperature	-10 °C to +70 °C (14 °F to 158 °F)

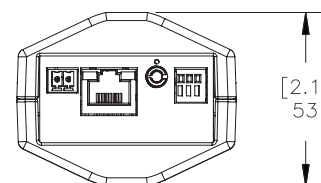
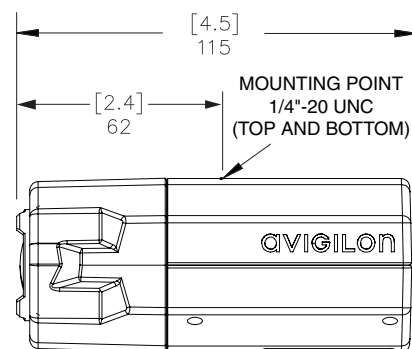
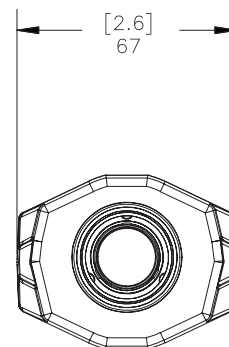
CERTIFICATIONS

Safety	UL 60950 CSA 60950	EN 60950-1 CE	ROHS WEEE
Electromagnetic Emissions	FCC Part 15 Subpart B Class B	IC ICES-003 Class B	EN 55022 Class B
Electromagnetic Immunity	EN 55024 EN 61000-4-2 EN 61000-4-3	EN 61000-4-5 EN 61000-4-4	EN 61000-4-6 EN 61000-4-11

ORDERING INFORMATION

1.3L-H3-B2	1.3 Megapixel H.264 HD 3-9mm Camera with LightCatcher™ Technology
------------	---

Outline Dimensions



[X.X]	INCHES
X	MM