

Advanced Technology Video, Inc.



High Speed PTZ Dome Camera System

- Programmable 240 preset positions
- Up to 8 programmable guard tours consisting with 240 presets
- Manual or auto night shot mode for extremely low light sensitivity (SD523DSN)
- Slow shutter option for enhanced lower light performance
- Advanced 470 TVL high resolution camera for high quality digital recording
- Wide range of indoor and outdoor mounting options
- Up to 8 alarm inputs with 4 programmable alarm outputs
- Auto focus and auto iris control with manual override
- Remote control of AC Line Lock
- Quick connect mounting base for simple installation
- Data up and down load capability
- 8 dynamic programmable privacy zones
- 4.9-inch acrylic bubble

SD5 SERIES SPECIFICATIONS

MODELS

SDC523SN

High resolution color and black and white with 23 x optical zoom

SDC518SN

High resolution color only with 18x optical zoom

GENERAL

CCD Size

1/4" Progressive Scan CCD

Optical Zoom

23X

Focal Length

f=3.6mm (wide) to 82.8 (tele), F1.6 to 3.7

Digital Zoom

10X

Angular field of View

54 degrees (wide) to 2.5 degrees (tele)

Min. Illumination

3.0 lux (typical)

0.2 lux (slow shutter mode at 1/4s)

0.02 lux (slow shutter mode with IR removed)

Yes

ICR (Filter Switching)

Slow Speed Shutter

1/2 to 1/4,000s

Video Output

Composite 1.0Vp-p, 75 Ohms

Pan Angle

360 degree rotation

Alarm (Optional)

8 input/ 4 output

Tilt Angle

-4° ~ 94°

Auto Scan

1 Auto pan & auto scan capability

Preset

240 Presets with individual dwell time

Pattern

4 Patterns (recording up to 240sec)

Tour

8 Tours (consist of 32 functions per 1tour)

Speed

0.1 degrees/s to 380 degrees/sec

Area Title

16 sectors with 16 character titles for each sector

Privacy Zone

8 Privacy zones

(2 methods selectable : mark / video Off)

Intelligent Zoom

Proportional to pan speed

Auto Flip

Yes

Control Communication

RS485

SDC518SN

1/4" Type Super HAD CCD

18X

f=4.1mm (wide) to 73.8mm (tele), F1.4-3.1

12X

48 degrees (wide) to 2.8 degrees (tele)

1.0 Lux (50 IRE)

No

No

360 degree rotation

No

-4° ~ 94°

1 Auto pan & auto scan capability

240 Presets with individual dwell time

4 Patterns (recording up to 240sec)

8 Tours (consist of 32 functions per tour)

0.1 degrees/s to 380 degree /sec

16 sectors with 16 character titles for each sector

8 Privacy zones

(2 methods selectable : mark /video Off)

Proportional to pan speed

Yes

RS485

ELECTRICAL

Power

18-30 VAC or DC

Certifications

FCC, CE, Class A, UL/ cUL

MECHANICAL

Weight

3.3lbs (1.5kg)

Size (WxHxDmm)

4.92" x 8.03" x 4.92"

(125mm x 204mm x 125mm)

4.92" x 8.03" x 4.92"

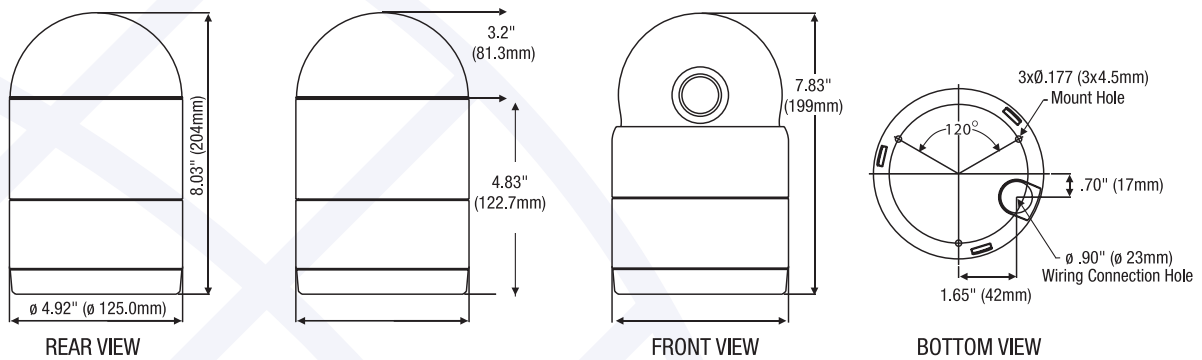
(125mm x 204mm x 125mm)

Specifications subject to change without notice.



SD5 SERIES APPLICATIONS

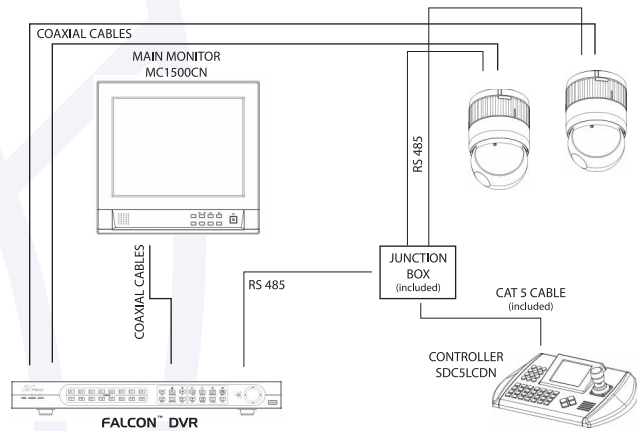
UNIT DIAGRAM AND DIMENSIONS



CONTROLLERS

- 5 TFT LCD Adjustable Color Monitor (5DC5LCDN)
- Pan, Tilt & Zoom Joystick Control
- Focus & Iris Buttons
- Keyboard Hotkeys
- Password Protection
- On-Screen Menus
- On-Screen Compass Display
- Optional Multi-User Support
- Controls up to 100 Multiplexers (or DVRs) + 32 Speed Dome

SYSTEM DIAGRAM



SDC5LCDN



LCD
PTZ Control

Multiplexer Remote
DVR Remote
ID Selectable

Multi User Support

Special Function

5" TFT LCD
Pan/tilt/zoom: Joystick
Zoom/Focus/Iris key switches
Duplexer/Triplexer
Falcon DV series
64(254) connection dome without alarm
check 254 address
4 (1 master / 3 slave) any
combination of SDC5LCDN or SDC162N
64 x 4 matrix function (use 5 Talon16)
Automatic sequence (Video Switching)
with preset Real time display and
scheduled macro function
(daily, weekly, yearly)

SDC162N



16 x 2 character LCD
Pan/tilt/zoom : Joystick
Zoom/Focus/Iris key switches
Duplexer/triplexer
Falcon DV series
32 connection dome

2 (1 master / 1 slave)



OMNI VIEW

TMSD1 - DROP CEILING TBAR MOUNTING KIT

Pipe Specification	1/2" cable access
Construction	Steel
Maximum Load	Approx 4.4 lbs (2kg)
Finish	Light-gray polyester powder coat

MW-SD1 - INDOOR WALL OR CEILING MOUNT OME-SD1 - OUTDOOR WALL OR CEILING MOUNT

MECHANICAL

Construction	Aluminum, Steel and Plastic (ABS)
Finish	Polyester powder coat
Dome Bubble	Plastic (Acrylic)
Weight	Approx 7.7 lbs (3.5kg) Approx 9.5 lbs (4.3kg) - with sunshield

ELECTRICAL (OME-SD1)

Power Source	24VAC, 50/60Hz
Power Consumption	Heater 50 watts / Blower 6 watts
Dome Camera	20 watts

GENERAL

Ambient	Environment
Temperature	-49° to 122° F (-45° C to 50° C)
Ratings	IP 65

FM-SD1 - FALSE CEILING MOUNTING KIT

Construction	Steel
Maximum Load	Approx 4.4 lbs (2kg)

PM-SD1 - PARAPET / ROOFTOP MOUNTING KIT

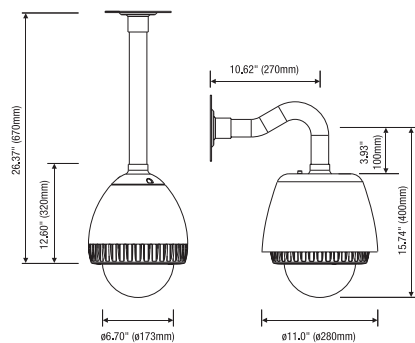
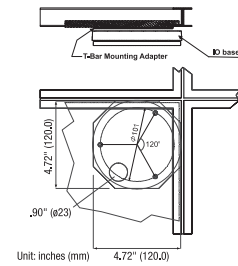
Maximum Load	40 pounds (18kg)
Construction	Aluminum Pipe, steel bracket and stainless hardware
Finish	Light-gray polyester powder coat

DIMENSIONS

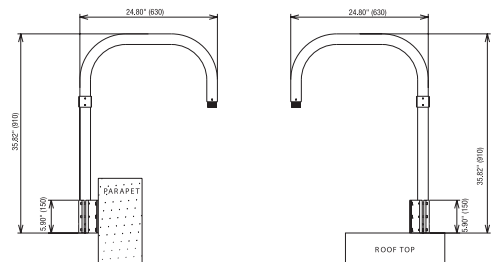
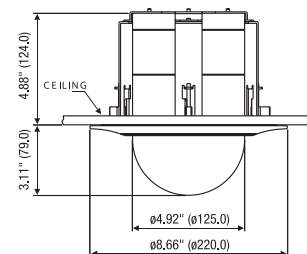
Size (WxH)	25" x 35" (63cm x 91cm)
Weight	7.8 lbs (3.5kg)

Specifications subject to change without notice.

DIMENSIONS & DIAGRAMS



Unit: inches (mm)



Advanced Technology Video, Inc.
10940 NE 33rd Place, Suite 101, Bellevue, WA 98004
888/228-7644 Fax 425/284-2952
www.atvideo.com