



*Advanced Technology Video, Inc.*



## Professional Outdoor Camera Enclosure

- Die-cast and extruded aluminum construction
- Total access design allows easy access to camera from all sides
- Integrated "Flex mount" adjustable mounting track
- 3/4", 1/2" and 1/4" cable entry glands (PG21, PG13.5, and PG9)
- Indoor and outdoor installations
- Epoxy powder coated for corrosion resistance
- Dust-proof, IP66 weatherproof rating
- Pre-assembled heater and blower model available
- Dual positive locking clamps
- Reversible camera mounting tray to elevate low profile cameras
- Cost effective

**Environmental Enclosures**

# HT120 SERIES SPECIFICATIONS

## MODELS

<b>HT1201N</b>	Enclosure, environmental housing, 12" top access with sunshield
<b>HT1203N</b>	Enclosure, environmental housing, 12" top access with sunshield, heater, and blower
<b>HMW13</b>	Mount, wall for HT series housings
<b>A-CS166</b>	Mount, "J" ceiling for HT series housings

## GENERAL

<b>Dimensions (WxHxL)</b>	5.8 x 4.6 x 14.0 in (with sunshield 148 x 116 x 358 mm)
<b>Weight</b>	4.85 lbs (2.2 kg)
<b>Maximum Camera Size</b>	Accommodates camera/lens combinations (Including BNC) up to: 3.1 x 3.2 x 11.4 in (78 x 82 x 290 mm)
<b>Viewing Area (WxHxL)</b>	2.9 x 2.4 in (73 x 61 mm)
<b>Viewing Window</b>	Clear 1/8" Double Density Glass
<b>Construction</b>	Extruded and Die-cast Aluminum
<b>Finish</b>	Epoxy Powder Coating
<b>Environment</b>	-4° F to 140° F (-20° C to 60° C)
<b>IP Rating</b>	IP66
<b>Camera Mounting</b>	Slotted camera sled
<b>Recommended Mounts</b>	HMW13 wall mount or A-CS166 Ceiling mount
<b>Cable Entry</b>	3 compression fittings, PG9, PG16, PG21.

## SUNSHIELD

<b>Dimensions (WxHxL)</b>	5.83 x 2.36 x 14.0 in (148 x 60 x 356 mm)
<b>Weight</b>	1.22 lbs (0.52 kg)

## HEATER

<b>Power Supply</b>	24VAC
<b>Power Consumption</b>	20W
<b>Heater ON</b>	Heater turns ON at 41° F (5° C)
<b>Heater OFF</b>	Heater turns OFF at 59° F (15° C)

## BLOWER

<b>Power Supply</b>	24VAC
<b>Power Consumption</b>	3.4W
<b>Heater ON</b>	Blower turns ON at 95° F (35° C)
<b>Heater OFF</b>	Blower turns OFF at 68° F (20° C)

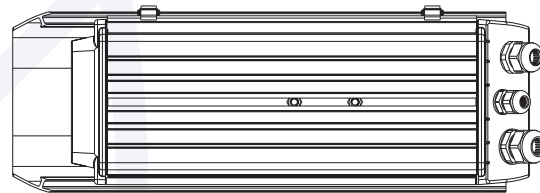
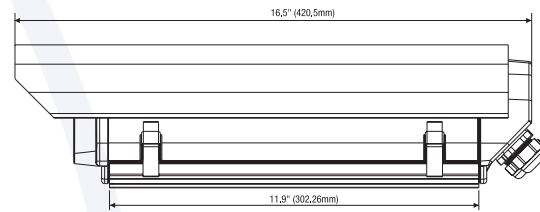
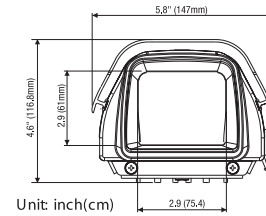
## MOUNTS

<b>HMW13</b>	
<b>Pan Adjust</b>	360°
<b>Tilt Adjust</b>	75°
<b>Max Load</b>	20lbs (9.0 Kg)

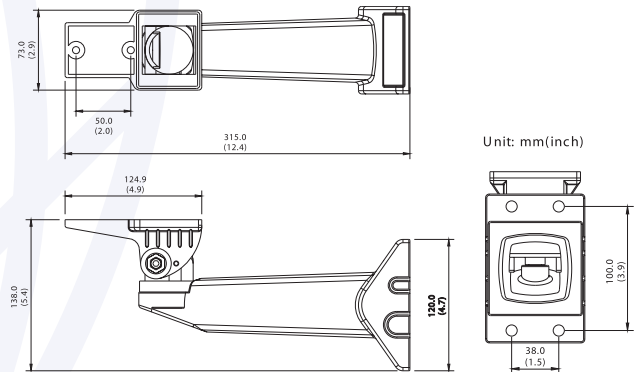
<b>A-CS166</b>	
<b>Pan Adjust</b>	360°
<b>Tilt Adjust</b>	75°
<b>Max Load</b>	30lbs (13.5 Kg)

Specifications subject to change without notice.

## DIMENSIONS



## HMWB3



## A-CS166

