

Advanced Technology Video, Inc.



Public View 23" Wide Screen LCD with Integrated Camera and 4 Channel Mux

- Compact attractive look for high visibility areas
- Imbedded high resolution public view camera in front bezel
- Wireless remote control
- Full screen display
- High resolution quad display
- Full screen display with side bar quad display
- Motion detection & storage function
- Image capture & replay function
- Screen freeze capability
- Alarm input & output - NC or NO
- Video loss & motion detection alarm
- VCR inputs and outputs
- Key lock / menu password function
- Time-and-date stamp

Public View LCD Monitor

A-M231WBM SPECIFICATIONS

MODELS

A-M231WBM

Wide 23" LCD Public View Monitor with built-in multiplexer, and integrated high resolution color camera.

MONITOR

Display Source	1 CH Built-in Camera Video + 4 CH External Camera
Video	(CH 4 : Internal or external camera selection)
LCD Panel	23.01 inches (584.40mm) TFT LCD Panel
Active Display Area	501.12 mm (H) x 300.67 mm (V)
Pixel Format	1280 (H) x 768 (V) , RGB vertical stripe
Pixel Pitch	0.3915mm x 0.3915mm
Color Depths	8 Bit / 16.7M Colors
Contrast Ratio	400 : 1 (Typical)
Brightness	450 cd/_ (Typical)
Viewing Angles (L/R/U/D)	85 / 85 / 85 / 85 (Typical)
Light Source / Lifetime	12CCFL / 50,000Hrs (Minimum)
Response Time	25 ms (Typical)

VIDEO (INTEGRATED CAMERA)

Video Mode	NTSC / PAL
Camera Video Input Level	1.0Vp-p @ 75 ohm
CCD Image Sensor	1/3"
Resolution	470 TVL
Sensitivity	1 Lux (F1.2, 50 IRE)
S/N Ratio	50dB
Auto Iris	Yes
Auto White Balance	Yes
Electronic Shutter	1/60 ~ 1/100,000 sec
VF Lens	4 - 8mm (F2.0 ~ 2.8)

VIDEO (EXTERNAL INPUT)

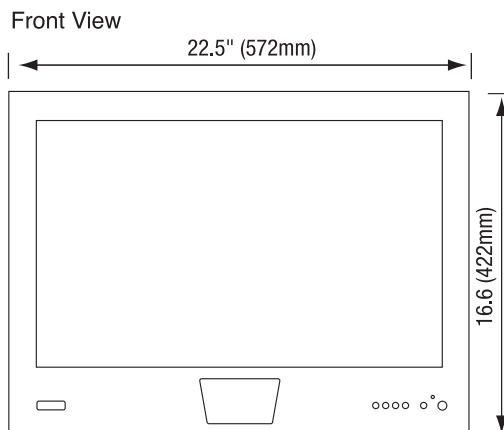
Video Mode	NTSC / PAL
Camera Video Input Level	1.0Vp-p @ 75 ohm
Camera Video Input Connector	BNC x 4
Camera Video Output Connector	BNC x 4
VCR Input Level	1.0Vp-p @ 75 ohm
VCR Input Connector	BNC x 1
Monitor / Record / Spot	1.0Vp-p @ 75 ohm
Video Output Level	
Monitor / Record / Spot	BNC x 1 / BNC x 1 / BNC x 1
Video Output Connector	
Alarm Input / Output connector	7 Pin Terminal Block
Alarm input	One input with individual polarity selection
Alarm output	One N.O and N.C contact with shared common

GENERAL

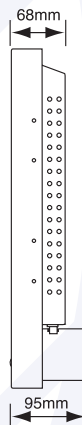
Power Supply	DC 24 V
Power Consumption	105 Watts
Operating Temperature	32°F - 104°F (0°C ~ 40°C)
Case Material	Metal
Dimensions (WxHxD)	22.5" X 16.6" X 3.7" (572.0 mm x 422.0 mm x 95.0 mm)
Weight	19.2 lbs (8.7 kg)
Accessories	DC Adapter, Power Cord, Manual, Remote Control Extension Cable for Power (Option)

Specifications subject to change without notice.

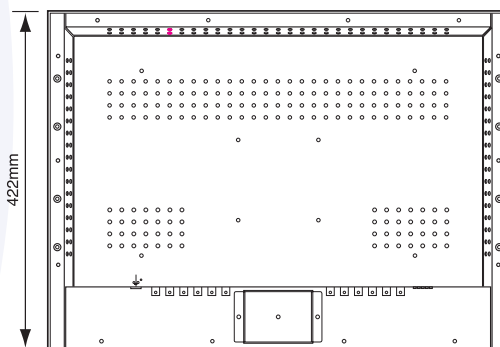
DIMENSIONS



Side View



Rear View



Bottom View

