

DR100 Aperio® Wireless Card Reader with Relay

SECURITRON
ASSA ABLOY

Experience a safer
and more open world

The DR100 is the industry's first wireless reader with relay control providing simplified access control for single and double swinging and sliding doors.

Flexible Wireless Connectivity

- Integrates with most existing access control systems and credentials
- Support for HID multiclass SE and NFC/BLE mobile access card technologies
- Real time monitoring for DPS

Designed for Versatility

- Universal compatibility with traditional electromechanical locking devices
- Dual installation modes based on security needs: Standard (relay and reader together) or Secure (separate sides of door)
- Suitable for interior or exterior openings
- Secures openings with a unified look, standardized installation and operation

Convenient & Secure

- Easy surface-mounted, no-cut, no-drill installation
- Configurable relay options
- Fully encrypted data transmission for enhanced security
- SecuriCare three-year, no-fault, no questions asked warranty



Features

- 2.4 GHz Aperio wireless technology
- Integrates with existing access control systems and ID badges
- Supports HID multiCLASS SE® card technologies
- Supports NFC & BLE mobile credentials
- Audit trail limited by EAC system
- Multiple installation options
- Configurable onboard relays
- Dry/Wetted inputs and outputs
- Real time monitoring for DPS
- LEDs indicate valid/invalid entries, Red/Amber or Green/Amber
- Black Finish
- Securicare three-year, no-fault, no questions asked warranty

Certifications

- FCC Part 15 Compliant
- RoHS Compliant
- UL 294

Specification

Electrical

- Power 12-24 VDC
- (3) Relays (Dry or Wetted) Rated at 2 A/30 VDC
- (2) DPS Inputs act as a single input
- (1) Tamper Input used for any additional monitoring input

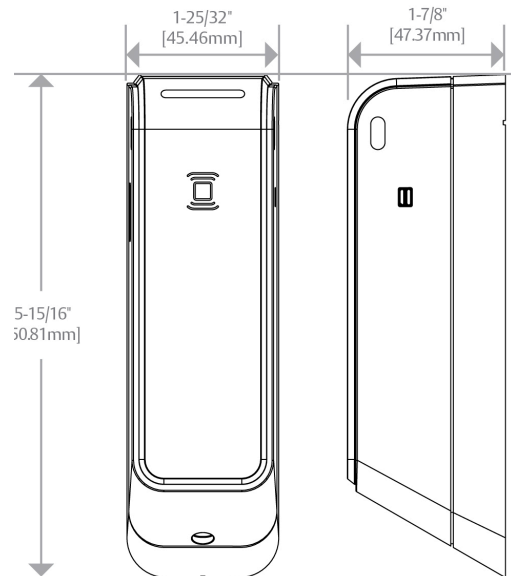
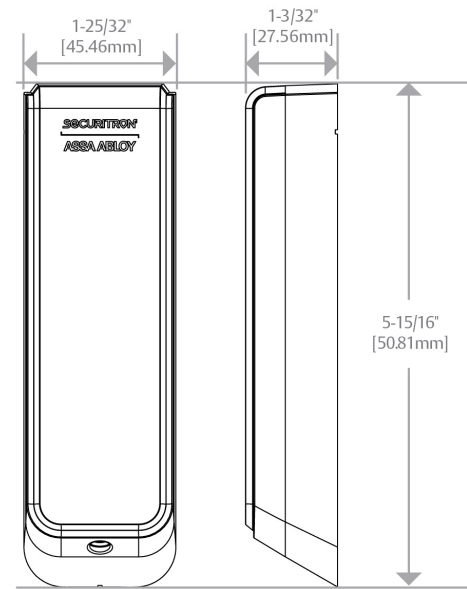
Environmental

- Operating Temperature 14° to 140° F [-10° to 60° C]
- Operating Temperature with Heater Element -40° to 140° F [-40° to 60° C]
- Tested to meet IP65

Accessories

- EXT-10-ANT Aperio™ Wireless External Antenna

Dimensions



How to Order

SERIES	MODEL	OPTION	CARD TECHNOLOGY
DR100	C	H	- BIPSXXXXX
	(Blank) Standard Model	(Blank) Field configured to work with AH20, AH30, or AH40 wireless hubs	IPS multiCLASS SE® + HID NFC mobile access enabled
	C DR100 + SIK: Secure Installation Kit		
	E DR100 + HE: Heater Element	H Factory pre-paired to work with AH20 Wiegand 1:1 hub	IPEXXXXX iCLASS Elite factory configured BIPSXXXXX multiCLASS SE® + HID BLE & NFC mobile access enabled

*XXXXX is a unique or customer specific key that is only reorderable for that specific company.