

ATA-8C Series CyberDome - Indoor & Outdoor Pendant Installations

ARITECH

- 1 8" pendant mount dome
- 1 Variable speeds up to 400°/sec
- 1 Integrated colour or B/W camera
- 1 16x optical zoom lens
- 1 2x-8x electronic zoom
- 1 Auto iris with manual override
- 1 Auto/manual focus
- 1 Backlight compensation
- 1 64 programmable presets
- 1 Preset titles
- 1 16 zone titles
- 1 Up to four camera tours
- 1 Programmable NVRAM
- 1 360° continuous pan
- 1 Quik spin™ target tracking
- 1 Indoor & outdoor housings
- 1 Twist-on-Dome attachments
- 1 Quick release connector
- 1 24 V ac/16 W input power (indoor)
- 1 Twisted pair control



Programmable non-volatile memory allows the CyberDome to be customized at setup, with options such as programmable auto pan and preset tour speeds, return to home position, auto colour balance, pan/tilt invert, proportional zoom speeds and video synchronization.

Optical disk readers keep track of the camera's position, and high quality gold slip rings allow the CyberDome a continuous 360° pan. When a target passes directly under the CyberDome, the Quick Spin™ feature allows the camera to rapidly rotate 180° and continue to follow the target. Four microprocessors control the camera's pan/tilt movement with continuous-duty stepper motors.

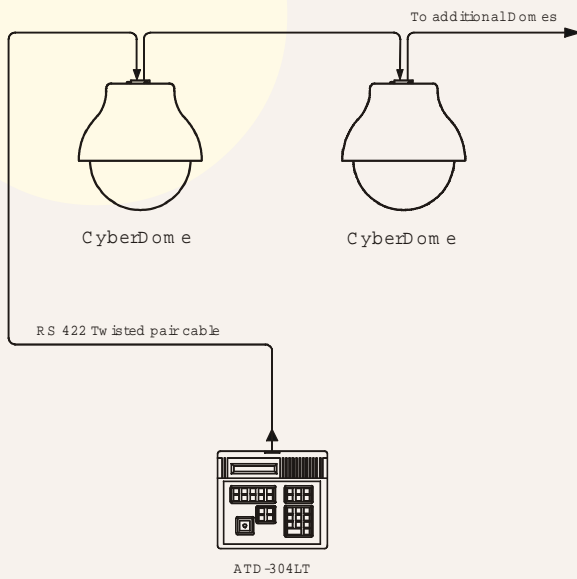
The CyberDome is available in both indoor and outdoor pendant mount housings,

allowing installation in most surveillance applications.* (The outdoor models can be ordered with an optional 50 watt heater/fan). The unit is simple to install, featuring twist-on dome attachments, and a quick-release connector that allows the entire pan/tilt assembly to be easily removed. The pendant housings are designed to connect to the end of a 1.25" NPT pipe, or to the ATA-02-12 wall bracket. To meet individual needs, the CyberDome can be ordered with clear, tinted, or mirrored acrylic lower domes.

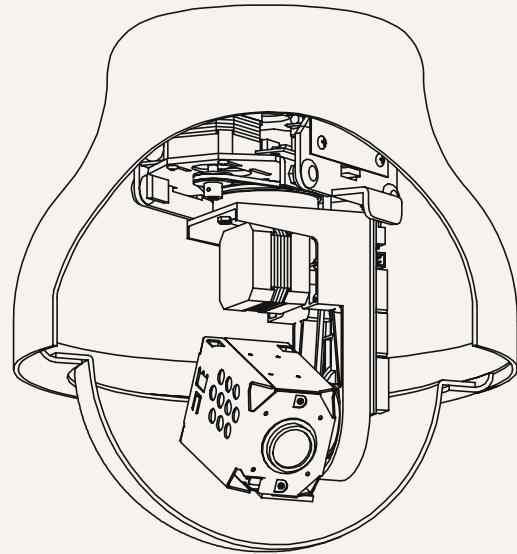
All CyberDomes use a 24 V ac power input and are controlled via twisted pair cable from one or more remote ATD-304LT keypads. Removable terminal strips are provided for cable connections, and all ICs are socketed for easy replacement.

*The **ATA-8 CyberDome™** is a discreet, variable speed pan/tilt/zoom dome capable of speeds up to 400° per second. Available in an 8-inch pendant mount, the CyberDome uses an integrated colour or black-and-white camera with a 16x optical zoom lens, and 2x-8x electronic zoom. Features include auto iris with manual override, auto or manual focus, backlight compensation, 64 programmable preset positions, preset and zone titling, and up to four camera tours.*

Typical application

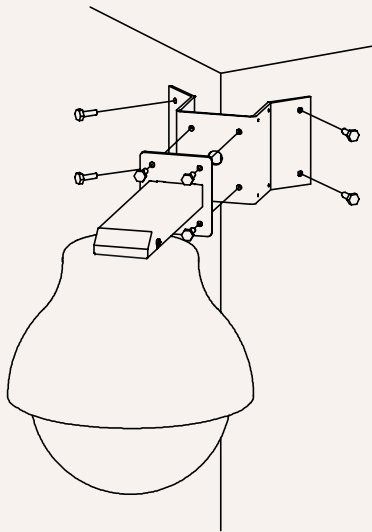


Cutaway view - Outdoor pendant mount

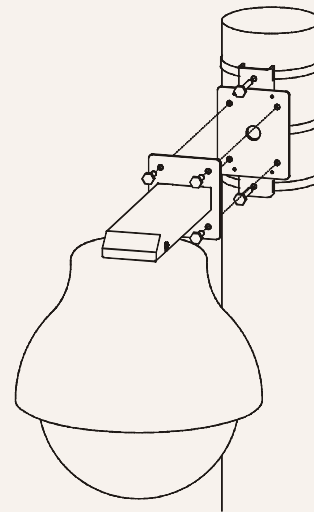


Mounting instructions

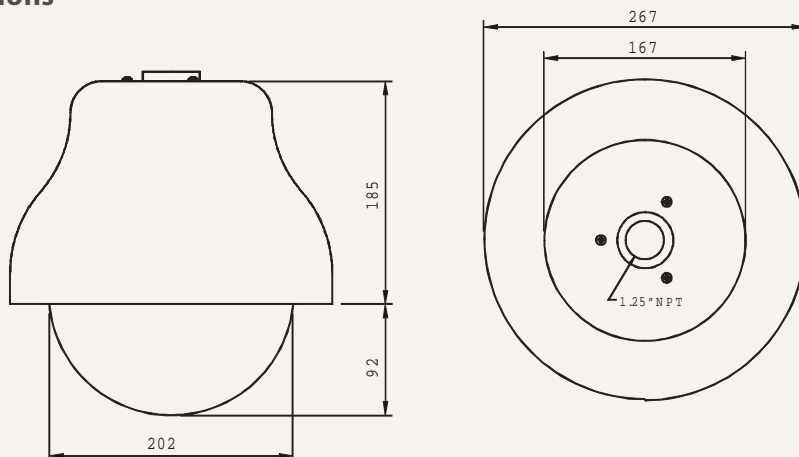
Corner mount bracket (optional accessory)



Pole mount bracket (optional accessory)



Dimensions



All measurements in millimeters

è Technical data

Electrical

Input voltage	24 V ac, 50 Hz PAL
Power	16 VA (70 VA with E Option)
Control	
Input signal	RS 422
Signal format	Digiplex, 2400 or 4800 Baud
Video output	Composite, 1 Vp-p
Connectors	
Video	BNC
Control	Terminal strip
Power input	Terminal strip

Mechanical

Weight	2.5 kg
Construction	
Pan/Tilt	32 mm Aluminium/Delron frame
Housing pendant	47 mm ABS Plastic
Dome	15 mm Acrylic
Finish	
Housing	
Indoor	Black
Outdoor	Black interior, white exterior
Pan/Tilt	Black anodized
Camera	Black
Dome	Clear, tinted, chrome mirrored or gold mirrored

Operational

Pan travel	360°
Tilt travel	90°
Speed	
Manual	1~80°/sec variable
Preset	Up to 400°/sec; 200°/sec average point-to-point
Optical	
Light loss	Tinted Dome=1 f-stop Mirrored Dome=2 f-stop

Colour Camera

Signal format	PAL
Scanning system	2:1 Interlacing
Scanning frequency	
Horizontal	15.625 kHz PAL
Vertical	50 Hz PAL
Image sensor	1/4" Solid state interline CCD image sensor
Total pixels	795(H) x 596(V), 470K PAL
Effective pixels	752(H) x 582(V), 440K PAL
Lens	F1.4 f=4~64 mm, x16 Zoom video Auto focus

Angle of view	H: 47° (wide), 3° (tele)
Focus length	Inf. ~0.01m (wide) ~1.0m (tele)
Signal process	Digital signal processor IIIIR system
Sync. system	Internal/external
Horizontal resolution	More than 450 TV lines
Luminance S/N	More than 46 dB
Sensitivity	3 lux (AGC On, F1.6 (wide))
Usable sensitivity	2 lux
Video output	Composite, 1.0 Vp-p

Black and White Camera

Signal format	CCIR
Scanning system	2:1 Interlacing
Scanning frequency	
Horizontal	15.625 kHz PAL
Vertical	50 Hz PAL
Image sensor	1/4" solid state interline CCD image sensor (B/W)
Total pixels	537(H) x 597(V), 320K CCIR
Effective pixels	500(H) x 582(V), 290K CCIR
Lens	F1.6 f=4~48mm, 12x zoom video Auto focus
Angle of view	H: 47° (wide), 4° (tele)
Focus length	Inf. ~0.01m (wide) ~1.0m (tele)
Signal process	Digital signal processor III system
Sync. system	Internal, Line lock
Horizontal resolution	More than 500 TV lines
Luminance S/N	More than 46 dB
Sensitivity	0.4 lux (AGC On, F1.6 (wide))
Usable sensitivity	0.08 lux
Video output	Composite, 1.0 Vp-p

ATA-8C Series



è How to order

8" Indoor Pendant Dome Configurations					Fixing Accessories			Power Supply	Fixed Camera
Type	Camera	Tinted dome	Silverdome	Gold dome	Wall mount	Ceiling mount brackets			
						0.6 m	1 m		
Static type 2	N/A	ATA-8NH-2	ATA-8NH-6	ATA-8NH-7	ATA-02-12B	ATA-CM2	ATA-CM3	To suit camera	ATA-03-8
Pan/Tilt/Zoom	Mono	ATA-8CH-2B2	ATA-8CH-6B2	ATA-8CH-7B2	ATA-02-12B	ATA-CM2	ATA-CM3	ATA-6812	N/A
	Colour	ATA-8CH-2C2	ATA-8CH-6C2	ATA-8CH-7C2	ATA-02-12B	ATA-CM2	ATA-CM3	ATA-6812	N/A

8" Outdoor Pendant Dome Configuration				Fixing Accessories				Power Supply	
Type	Camera	Clear dome	Tinted dome	Silverdome	Gold dome	Wall mount	Corner mount	Pole mount	
Pan/Tilt/Zoom	Mono	ATA-8CW-3B2E	ATA-8CW-2B2E	ATA-8CW-6B2E	ATA-8CW-7B2E	ATA-02-12W	ATA-06-12	ATA-07-1	ATA-6812
	Colour	ATA-8CW-3C2E	ATA-8CW-2C2E	ATA-8CW-6C2E	ATA-8CW-7C2E	ATA-02-12W	ATA-06-12	ATA-07-1	ATA-6812

SLC TECHNOLOGIES Ltd

Unit 5, Ashton Gate,
Ashton Road, Harold Hill,
Romford, Essex RM3 8UF
Tel. 01708-381496
Fax 01708-381371

SLC TECHNOLOGIES IRELAND Ltd

Taurus Business Centre
Greenhills Road
Tallaght, Dublin 24
Tel. 01-459.97.60
Fax 01-263.05.69

SLC TECHNOLOGIES EUROPE & AFRICA

Headquarters
Excelsiorlaan 28
B-1930 Zaventem
Tel. 02-725 11 20
Fax 02-721 40 47

Sales Offices: Austria, Baltic States, Belgium, Czech Republic, Denmark, Eastern Europe, France, Germany, Greece, Hungary, Ireland, Italy, Netherlands, Norway, Poland, Portugal, Portugal, Slovak Republic, South Africa, Spain, Sweden, U.K.

LFATA-8C03 Rev.1 0300/UK

Artech reserves the right to change specifications without notice.
Artech is a trademark of SLC Technologies B.V.