

Flush Mount Series

Discreet Flush Mount CyberDome

- Discreet 6" diameter Dome
- Variable speeds up to 400°/sec
- Choice of 4 integrated camera modules
- Up to 25x optical zoom lens
- Up to 12x digital zoom
- Auto iris with manual override
- Auto/manual focus
- 64 programmed presets
- Preset + zone titles
- Auto return function
- Up to four camera tours
- Optional 4 minute shadow tours
- 360° continuous pan
- Quik Spin™ target tracking
- Twist-on Dome attachments
- Quick release connector
- Twisted pair control



Programmable non-volatile memory allows the CyberDome to be customized at set-up, with options such as programmable auto pan and preset tour speeds, return to home position, auto colour balance, pan/tilt invert, proportional zoom speeds and video synchronization.

Optical disk readers keep track of the camera's position, and high quality gold slip rings allow the CyberDome a continuous 360° pan. When a target passes directly under the CyberDome, the Quick Spin™ feature allows the camera to rapidly rotate 180° and continue to follow the target. Four microprocessors control the camera's pan/tilt movement with continuous-duty stepper motors.

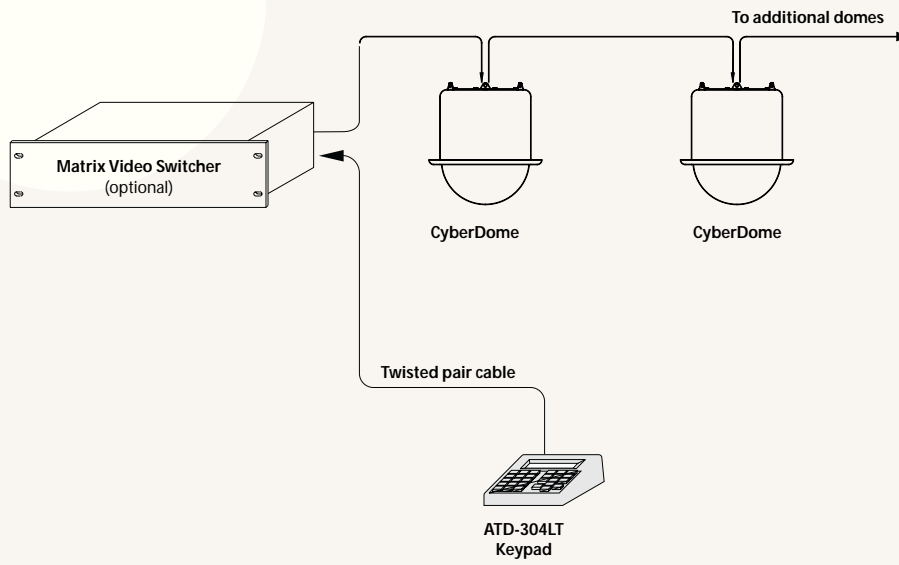
The unit is simple to install, featuring twist-on dome attachments, and a quick-release connector that allows the entire pan/tilt assembly to be easily removed. Because of its low clearance requirements - only 15.5 cm - the flush mount housing can be installed in almost any ceiling*. To meet individual needs, the CyberDome can be ordered with clear, gold, tinted, or mirrored acrylic lower domes.

The CyberDome is powered by a 24 V ac/16W input and is controlled via twisted pair cable from one or more remote ATD-304LT keypads. Removable terminal strips are provided for cable connections, and all ICs are socketed for easy replacement.

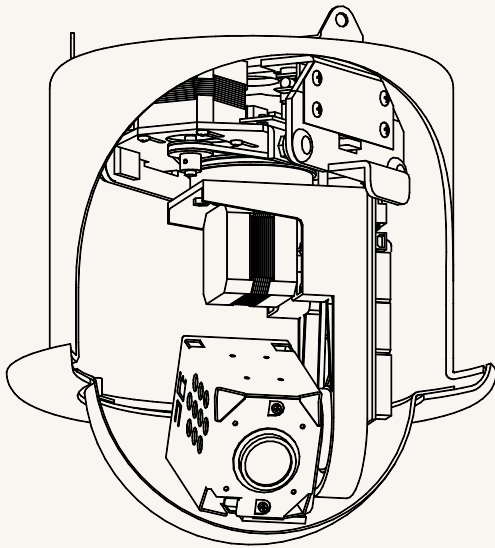
*The **Flush Mount Series** CyberDome™ is a discreet, variable speed pan/tilt/zoom dome receiver capable of up to 400° per second. Available in a 6-inch flush mount, the CyberDome uses an integrated colour or black-and-white camera with up to 25x optical zoom lens, and 2x-8x electronic zoom.*

Features include auto iris with manual override, auto or manual focus, backlight compensation, 64 programmable preset positions, preset and zone titling, and up to four camera tours including a four minute shadow tour.

Typical application

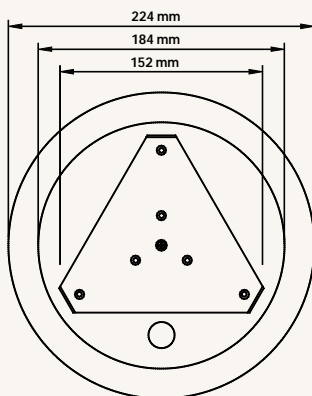


Cutaway view

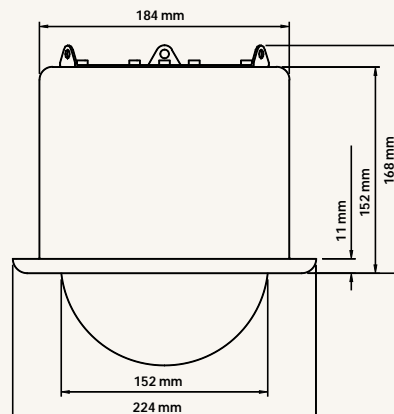


Dimensions

Top view



Side view



→ Technical data

Electrical

Input voltage	24 V ac, 50 Hz
Power	16 VA
Control	
Input signal	RS 422
Signal format	Digiplex, 4800 Baud
Video output	Composite, 1 Vp-p
Connectors	
Video	BNC
Control	Terminal strip
Power input	Terminal strip

Mechanical

Weight	2.5 kg
Construction	
Pan/Tilt	31 mm Aluminium/Delron Frame
Housing - Flush	31 mm Fire retardant ABS plastic
Dome	15 mm Acrylic
Finish	
Housing - Indoor	Black
Pan/Tilt	Black anodized
Camera	Black
Dome	Clear, tinted, chrome mirrored or gold mirrored

Operational

Pan Travel	360 degrees
Tilt Travel	90 degrees
Speed	
Manual	0.5~120°/sec variable
Preset	Up to 400°/sec, 200°/sec average point to point
Optical	
Light loss: Tinted Dome	=1 f-stop
Mirrored Dome	=2 f-stop
Smoked Dome	=1/2 f-stop

Classic Monochrome Camera

Signal format	CCIR
Scanning system	2:1 interlacing
Scanning frequency	
Horizontal	15.625 kHz PAL
Vertical	50 Hz PAL
Image sensor	1/4" solid-state interline transfer CCD image sensor
Total pixels	537 (H) x 597 (V), 320K CCIR
Effective pixels	500 (H) x 582 (V), 290K CCIR
Lens	F1.6, f=4~64 mm, 16X zoom, auto focus
Angle of view	H: 47° (wide), 4° (tele)
Focus length	Inf. ~0.01 m (wide), ~1.0 m (tele)
Sync. system	Internal, line lock
Horizontal resolution	More than 490 TV lines PAL
Signal to noise ratio	More than 46 dB
Sensitivity	0.1 lux (AGC on, F1.6 (wide))
Ratings and certifications	
Pan/tilt unit	UL-recognized component, E210367 Compliant to UL standard 2044

Day-Night 18x Camera

Signal format	PAL
Scanning system	2:1 interlacing
Scanning frequency	
Horizontal	15.625 kHz PAL
Vertical	50 Hz PAL
Image sensor	1/4" solid-state interline transfer CCD image sensor
Total pixels	752 (H) x 582 (V) PAL
Lens	F1.4, f=4.1~73.8 mm, 18X zoom, auto focus
Optical zoom	18X
Digital zoom	Programmable 1X, 4X or 12X
Angle of view	H: 48° (wide), 2.7° (tele)
Focus length	Inf. ~0.01 m (wide) ~1.0 m (tele)
Sync. system	Internal
Horizontal resolution	460 TV lines PAL
Signal to noise ratio	More than 50 dB
Sensitivity	2 lux color, 0.1 lux monochrome
Video output	Composite, 1.0 V pk-pk
Electronic shutter	1/3 ~ 1/1000 sec PAL
Ratings and certifications	
Pan/tilt unit	UL-recognized component, E210367 Compliant to UL standard 2044

Select 18x Colour Camera

Signal format	PAL
Scanning system	2:1 interlacing
Scanning frequency	
Horizontal	15.625 kHz PAL
Vertical	50 Hz PAL
Image sensor	1/4" solid-state interline transfer CCD image sensor
Total pixels	752 (H) x 582 (V) PAL
Lens	F1.4, f=4.1~73.8 mm, 18X zoom, auto focus
Optical zoom	18X
Digital zoom	Programmable 1X or 4X
Angle of view	H: 48° (wide), 2.7° (tele)
Focus length	Inf. ~0.01 m (wide) ~1.0 m (tele)
Sync. system	Internal, line lock
Horizontal resolution	460 TV lines PAL
Signal to noise ratio	More than 50 dB
Sensitivity	2 lux color
Video output	Composite, 1.0 V pk-pk
Electronic shutter	1/3 ~ 1/1000 sec PAL
Ratings and certifications	
Pan/tilt unit	UL-recognized component, E210367 Compliant to UL standard 2044

Day-Night 25x Camera

Signal format	PAL
Scanning system	2:1 interlacing
Scanning frequency	
Horizontal	15.625 kHz PAL
Vertical	50 Hz PAL
Image sensor	1/6 CCD
Total pixels	752 (H) x 582 (V) PAL
Lens	25X zoom, f=2.4 mm (wide) to 60 mm (tele), F1.6 to F2.7
Optical zoom	25X
Digital zoom	12X
Angle of view	45° wide to 2° tele
Min. working distance	10 mm (wide), 800 mm (tele)
Sync. system	Internal/external (v-lock)
Horizontal resolution	460 TV lines PAL
Signal to noise ratio	48 dB
Sensitivity	3 lux color, 0.2 lux monochrome
Video output	VBS, 1.0 V pk-pk (sync negative), Y/C output
Electronic shutter	1/3 ~ 1/1000 sec 20 steps PAL
Ratings and certifications	
Pan/tilt unit	UL-recognized component, E210367 Compliant to UL standard 2044

Flush Mount Series

→ How to order

6" Flush Indoor Dome Configurations

Type	Camera	Fixing Accessories				
		Smoked Dome	Ceiling ring	T-Bar support kit	Power supply	Fixed camera bracket
Fixed dome	Not supplied	ATA-LF4	ATA-23-6	ATA-24-6	To suit camera	Supplied
Housing only	Not supplied	ATA-F4-0C*	ATA-23-6	ATA-24-6	To suit camera	ATA-03-6

* Accepts P/T/Z mechanism or ATA-03-6 fixed camera bracket

Pan/Tilt/Zoom

Classic	Mono	ATA-F4-B2C	ATA-23-6	ATA-24-6	ATA-6812	ATA-03-6
Select 18x	Colour	ATA-F4-H2C	ATA-23-6	ATA-24-6	ATA-6812	ATA-03-6
Day/Night 18x	Colour/Mono	ATA-F4-D2C	ATA-23-6	ATA-24-6	ATA-6812	ATA-03-6
Day/Night 25x	Colour/Mono	ATA-F4-E2C	ATA-23-6	ATA-24-6	ATA-6812	ATA-03-6

Please note, other dome colours are available, including Clear, Chrome & Gold.

Please contact your local Aritech office for further information.

Interlogix UK Limited

Unit 5, Ashton Gate,
Ashton Road, Harold Hill,
Romford, Essex RM3 8UF
Tel. 01708-381496
Fax 01708-381371

www.aritech.com

Interlogix Ireland Limited


Taurus Business Centre
Greenhills Road
Tallaght, Dublin 24
Tel. 01-459.97.60
Fax 01-452.74.48

Interlogix Europe & Africa

Headquarters
Excelsiorlaan 28
B-1930 Zaventem
Tel. 02-725 11 20
Fax 02-721 40 47

Sales Offices: Austria, Baltic States, Belgium, Czech Republic, Denmark, Eastern Europe, France, Germany, Greece, Hungary, Ireland, Italy, Netherlands, Norway, Poland, Portugal, Slovak Republic, South Africa, Spain, Sweden, U.K.

LFATA-6C 03 Rev.2 1001/UK

 Aritech reserves the right to change specifications without notice.
Aritech is a trademark of Interlogix B.V.