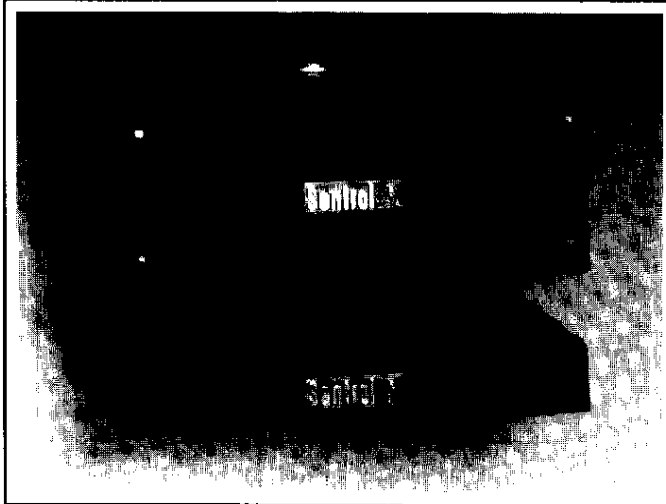




PRODUCT INFORMATION BULLETIN



2840T SERIES

EXPLOSION-PROOF MAGNETIC CONTACTS SCREW TERMINALS

Part Numbers: 2842T-W 2843T-W 2844T-W
2845T 2846T 2847T
2847T-H

Decreased Installation Time

- Wider make distance permits faster installation, accommodates greater misalignment, works better on steel without time-consuming brackets

Fewer False Alarms

- Wider break distance helps prevent false alarms due to loose-fitting doors

Rhodium-Plated Contacts

- Not subject to sticking or freezing on seldom-used doors

Rugged Housing

- Die cast aluminum, with attractive brown textured paint

Long Life

- Life expectancy of 10,000,000 cycles; highly stable Alnico V magnet

Fewer Service Calls

- Corrosion resistant, hermetically sealed switch works well in moist or dusty areas

Increased Terminal Protection

- Terminals are inside housing, protected from tampering and accidental shorting

Versatile

- Model available in N/O, N/C, or SPDT configurations; long or extra-wide gap distances; Model 2847T-H biased for higher security

UL Listed

- Hazardous Location Classes
Class 1, Division 1 & 2, Group C & D
Class II, Division 1 & 2, Group E, F, & G
Class III, Division 1 & 2
- Indoor or outdoor use under Standard 634

©Copyright 1990 Sentrol, Inc.



LISTED

Certain of the items in this Product Information Bulletin are protected under one or more of the following patents: 3,863,250; 4,210,888; 4,210,889; 4,213,110; 4,371,856; 4,335,270; 4,336,518; 4,392,707; 4,409,577; 4,456,897; 4,513,354; 4,523,184; 4,525,018; 4,837,558; D253,106; D255,030; D262,618; D268,669; D273,783; D272,242. Other patents pending. Made in U.S.A.

10831 S.W. Cascade Blvd., Portland, OR 97223 USA
Telex 910-458-8824

Phone 503/620-8540
Canada Toll Free 1-800-253-5600

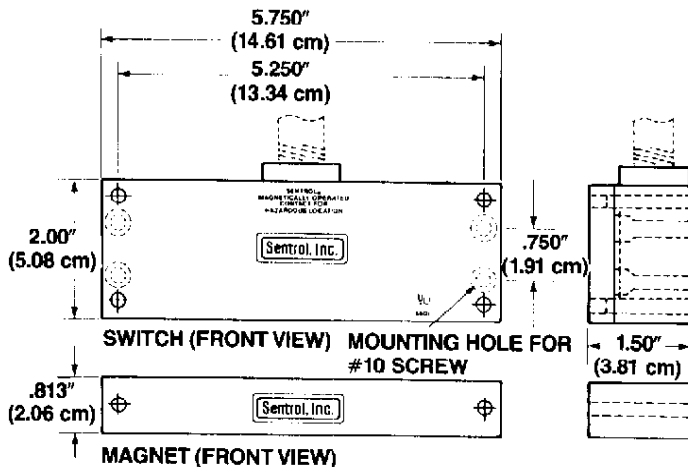
Toll Free 1-800-547-2556
FAX 503/684-9230

2840T Series Explosion-Proof Magnetic Contacts Screw Terminals

ARCHITECTS' AND ENGINEERS' SPECIFICATIONS

Housings shall be die-cast aluminum, coated with brown textured paint. Switch housing dimensions (including lid) shall be nominally 5.750" (14.61 cm) L x 2" (5.08 cm) H x 1.50" (3.81 cm) D. Fitting with .50" threads shall be provided for direct connection to conduit. Magnet housing dimensions shall be nominally 5.750" (14.61 cm) L x .813" (2.06 cm) H x 1.50" (3.81 cm) D.

Switch shall be a rhodium-plated reed switch. Connection to switch shall be made through #6 screw terminals, accessible when housing lid is removed. Screw terminals will have bent-up tabs to prevent wire slippage during installation. Mounting screws for switch shall be (4) No. 10 screws 1-1/2" long, philips head. For the magnet, screws shall be (2) No. 10, 2" long philips head.



2800 SERIES

MOUNTING HOLES NOT ACCESSIBLE WHEN COVER IS IN PLACE

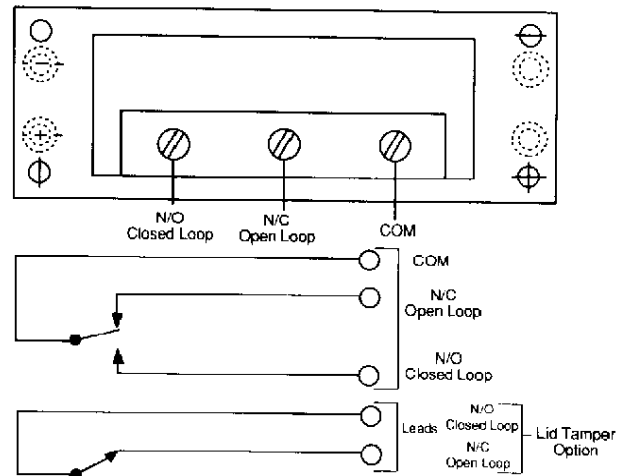
INSTALLATION INSTRUCTIONS

2842T-W, 2843T-W, 2844T-W, 2845T, 2846T, 2847T

Select desired mounting positions for switch and magnet observing gap distance. On wide gap switches (2842T-W, 2843T-W, 2844T-W) align labels on switch and magnet so labels read in same direction (switches are polarity sensitive).

2847T-W

Mount switch in desired location. Attach ohmmeter to "Closed Loop" and "Common" terminals. Meter should read INFINITY with magnet away from switch. Align labels on switch and magnet so labels read in same direction (switch is polarity sensitive). Bring magnet toward switch until meter reads 5 ohms or less. Mark this point and continue bringing magnet toward switch until meter again reads INFINITY. Mark this point, and position the magnet between these two marks. With magnet positioned correctly, the switch shall have balanced operation and will be more difficult to defeat if an external magnet is used in such an attempt. This model is lid tamper protected.



ORDERING INFORMATION

PART NUMBER	LOOP TYPE	ELECTRICAL CONFIGURATION	LID TAMPER	COLOR CHOICES	GAP DISTANCE (MAKE)*	LEAD TYPE
2842T-W	Closed	N/O	Optional	Textured Brown	Up to 2-1/2"	#6 screw terminal
2843T-W	Open	N/C	Optional	Textured Brown	Up to 2-1/2"	#6 screw terminal
2844T-W	Open or Closed	SPDT	Optional	Textured Brown	Up to 2-1/2"	#6 screw terminal
2845T	Closed	N/O	Optional	Textured Brown	Up to 1"	#6 screw terminal
2846T	Open	N/C	Optional	Textured Brown	Up to 1"	#6 screw terminal
2847T	Open or Closed	SPDT	Optional	Textured Brown	Up to 1"	#6 screw terminal
2847T-H	Open or closed	SPDT	Standard	Textured Brown	1/4" MIN, 1" MAX	#6 screw terminal

Form A (2842T-W, 2845T)
Voltage: 100 VAC/DC MAX
Current: 0.5 Amp MAX
Power: 7.5 W MAX
Cycles: 10,000,000

Form B (2843T-W, 2846T)
Voltage: 100 VAC/DC MAX
Current: 0.25 Amp MAX
Power: 3.0 W MAX
Cycles: 10,000,000

Form C (2844T-W, 2847T, 2847T-H)
Voltage: 100 VAC/DC MAX
Current: 0.25 Amp MAX
Power: 3.0 W MAX
Cycles: 10,000,000

NOTE: The products, materials and specifications covered in this Product Information Bulletin are subject to change without notice as Sentrol strives for continuing product improvement.

Made in the U.S.A.

*Gap distances are nominal make distance \pm 20%

USA Corporate Office:
10831 S.W. Cascade Blvd., Portland, OR 97223
1-503-620-8540 **Toll Free 1-800-547-2556**
Canada Toll Free: 1-800-253-5600
TELEX: 910-458-8824
FAX: 503-684-9230



European Office:
Sentrol BV, Zandsteen 62
2132 MR Hooftdorp, The Netherlands
Telephone: (31) (0) 2503-72626
FAX: (31) (0) 2503-21766

Singapore Representative Office:
Sentrol, Inc. USA, 7500A Beach Road
#08-323 The Plaza, Singapore 0719
Telephone: (65) 291-8955
FAX: (65) 293-6076
Telex: RS 23426 EAGLES