

# High Security Surface Mount Magnetic Contacts

2700 Series



## OVERVIEW

The 2700 Series High Security magnetic contacts with triple-biased reeds are highly resistant to defeat by external magnets. For added security, magnetic field tamper and pry tamper are standard features. Each 2700 contact and actuation magnet set is factory compensated for the effects of steel. All 2700 Series contacts are accepted by the Defense Intelligence Agency. They are listed in DIAM 50-3 for use in secure compartmented information facilities (SCIFs). 2700 Series High Security magnetic contacts are UL listed. Two models are listed for use on safes and vaults.

The 2700 Series can be used to protect doors in high security locations or where high value materials are stored. They have effectively been used at airports, biotechnology labs and other medical research settings, warehouses, manufacturing plants, jewelry stores, banks, data processing centers, military bases, ammunition depots and energy-generation facilities.

### 2707A/2707AD

The switches contains three independent Form C biased reed contacts, wired in SPDT configuration (model 2707A); or six independent Form C biased reed contacts, wired in DPDT configuration (model 2707AD). A supervised loop with a magnetic tamper feature is included on both models. A pry tamper connection is also available for the 24-hour loop.

### 2706AP/2706AS

The switches contain three independent Form C biased reed contacts, wired in SPDT configuration. A supervised loop with a series magnetic tamper and pry tamper are also included. Both models conform to Class IV Preadjusted Balanced Magnetic Contacts specifications. A remote test feature is provided in the protective loop (AP models) or in the supervised loop (AS models).

## STANDARD FEATURES

- Triple biased for increased security
- No field adjustment
- Pry tamper included
- Supervision and remote test options available
- UL listed for safes and vaults – 2707A, 2707AD

# High Security Surface Mount Magnetic Contacts

2700 Series

North America  
T 855-286-8889

Asia  
T 852-2907-8108

Australia  
T 61-3-9239-1200

Europe  
T 32-2-725-11-20

Latin America  
T 561-998-6114

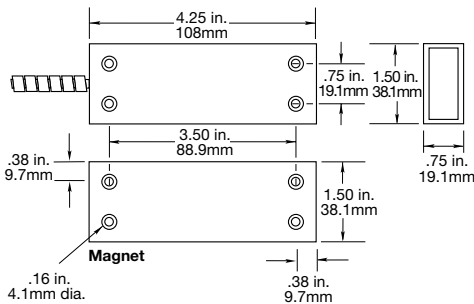
## Specifications

Voltage	30V AC/DC maximum
Current	0.25A maximum
Power	3.0W maximum
Dimensions (LxWxH)	4.25 x 1.50 x .75 in. (10.80 x 3.81 x 1.91 cm)
Material	Brushed anodized aluminum
Listing	UL-634

## Ordering Information

<b>2706AP-L</b>	High Security Contacts w/Armored Cable, Triple Biased, SPDT, Remote Test-Protective Loop, 3/16" to 5/8" Gap Size, Single Pole-Double Throw, 3' Stainless Steel Armored Cable
<b>2706AS-L</b>	High Security Contacts w/Armored Cable, Triple Biased, SPDT, Remote Test-Supervised Loop, 3/16" to 5/8" Gap Size, Single Pole-Double Throw, 3' Stainless Steel Armored Cable
<b>2707AD-L</b>	High Security Contacts w/Armored Cable, Triple Biased, DPDT, 3/16" to 5/8" Gap Size, Double Pole-Double Throw, 3' Stainless Steel Armored Cable
<b>2707AD-L5</b>	High Security Contacts w/Armored Cable, Triple Biased, DPDT, 3/16" to 5/8" Gap Size, Double Pole-Double Throw, 5' Stainless Steel Armored Cable
<b>2707A-L</b>	High Security Contacts w/Armored Cable, Triple Biased, SPDT, 3/16" to 5/8" Gap Size, Single Pole-Double Throw, 3' Stainless Steel Armored Cable

## Dimensional Diagram



interlogix.com

Specifications subject to change without notice.

© 2013 Interlogix.  
All rights reserved.  
Interlogix is part of UTC Climate, Controls & Security,  
a unit of United Technologies Corporation.

306-3687 2013/07 (75105)