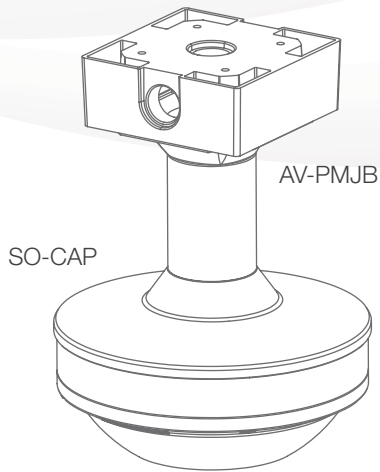
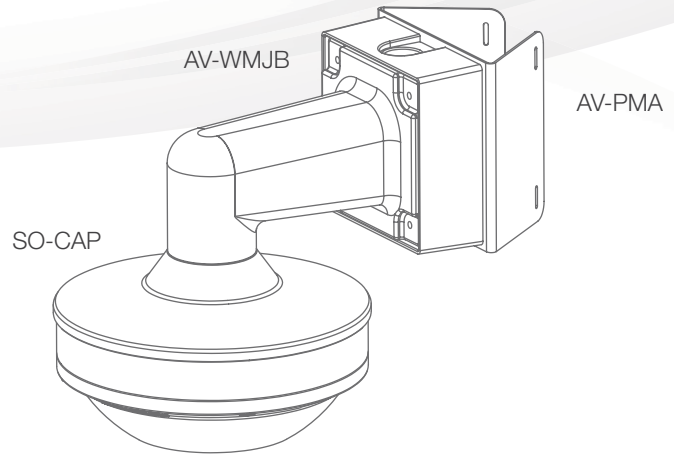


SurroundVideo[®] Omni Accessories

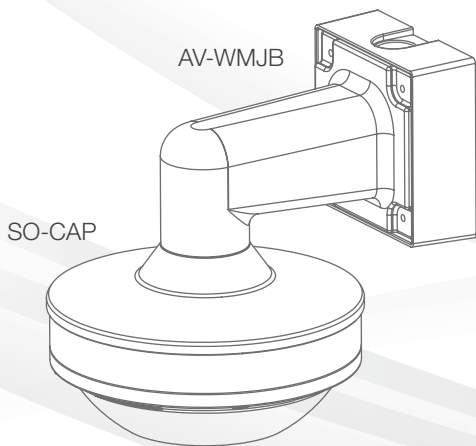
Accessories for Indoor/Outdoor Ceiling, Wall, Pole and Corner Mounting Solutions



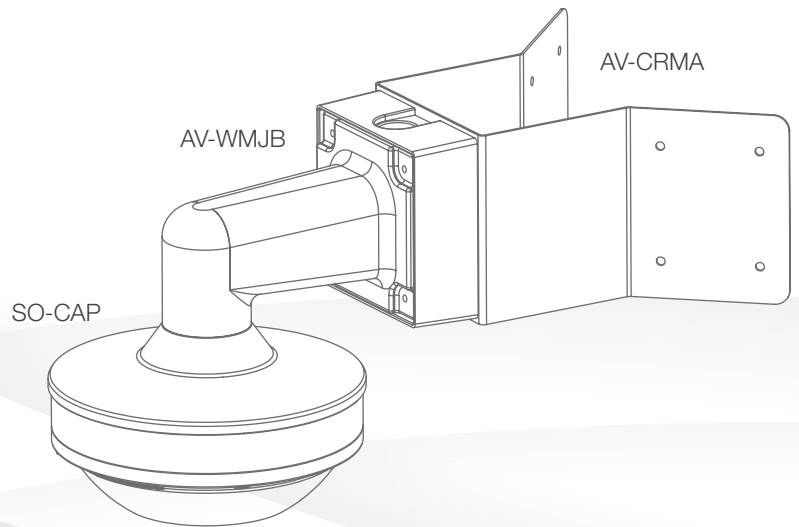
Ceiling Mount Configuration



Wall Mount Configuration with Pole Mount Adapter



Wall Mount Configuration



Wall Mount Configuration with Corner Mount Adapter

Model Compatibility

12 Megapixel	20 Megapixel
AV12176DN-NL	AV20175DN-NL
AV12176DN-28	AV20175DN-28
AV12176DN-08	AV20175DN-08



Multi-Sensor

AV-PMJB

Pendant Mount Bracket with Junction Box

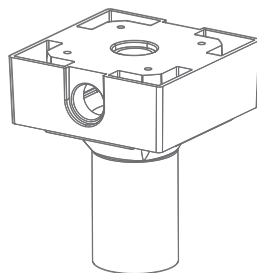
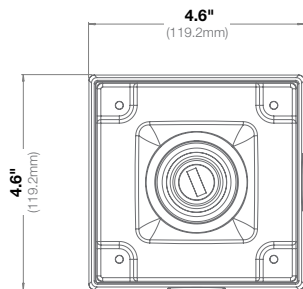
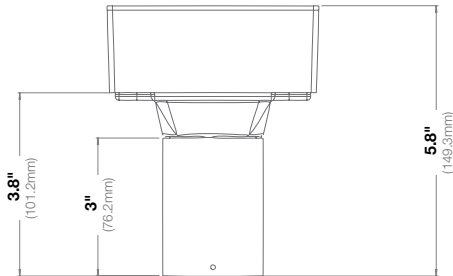


Features:

- Easy Installation and Superior Design
- Heavy Duty Enclosure Protection for Applications in Harsh Environments
- Di-Cast Aluminum is Resistant to Impact and Salt Damage

Compatibility	Compatible with 1.5" NPT Female
	Works with SurroundVideo® Omni Series

Mechanical	Casing Material	Aluminum
	Color	Ivory (Pantone cool gray 1c)
	Dimensions	5.87" H (149.31mm) x 4.69" W (119.20mm)
	Weight	w/o Camera 2.12lbs (0.96kg)



AV-WMJB

Wall Mount Bracket with Junction Box

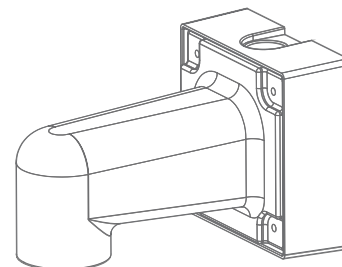
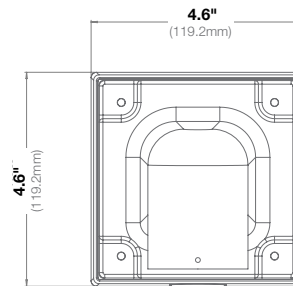
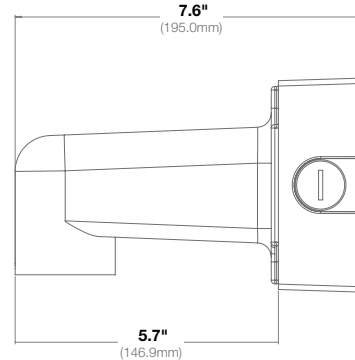


Features:

- Easy Installation and Superior Design
- Heavy Duty Enclosure Protection for Applications in Harsh Environments
- Di-Cast Aluminum is Resistant to Impact and Salt Damage

Compatibility	Compatible with 1.5" NPT Female
	Works with SurroundVideo® Omni Series

Mechanical	Casing Material	Aluminum
	Color	Ivory (Pantone cool gray 1c)
	Dimensions	7.68" L (195.05mm) x 4.69" W (119.20mm)
	Weight	w/o Camera 2.49lbs (1.13kg)



SO-CAP

Mounting Cap for SurroundVideo® Omni

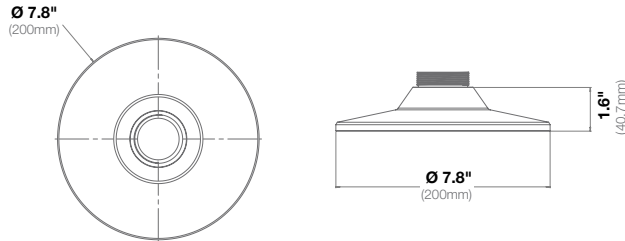


Features:

- Easy Installation and Superior Design
- Heavy Duty Enclosure Protection for Applications in Harsh Environments
- Di-Cast Aluminum is Resistant to Impact and Salt Damage

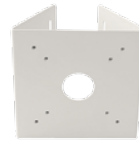
Compatibility	Compatible with 1.5" NPT Male
	Works with SurroundVideo® Omni Series

Mechanical	Casing Material	Aluminum
	Color	Ivory (Pantone cool gray 1c)
	Dimensions	Ø 7.87" (200mm) x 1.6" H (40.79mm)
	Weight	w/o Camera 0.85lbs (0.39kg)



AV-PMA

Pole Mount Adapter

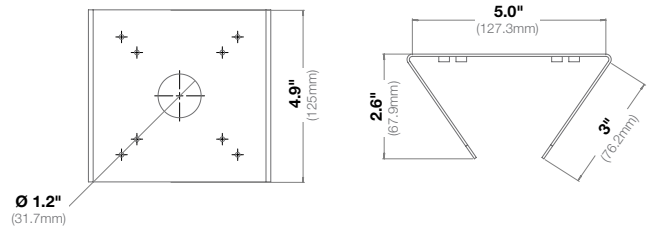


Features:

- Easy Installation and Superior Design
- Heavy Duty Enclosure Protection for Applications in Harsh Environments
- Di-Cast Aluminum is Resistant to Impact and Salt Damage

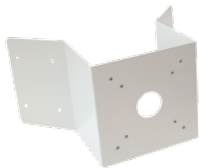
Compatibility	Works with SurroundVideo® Omni Series
----------------------	---------------------------------------

Mechanical	Casing Material	Aluminum
	Color	Ivory (Pantone cool gray 1c)
	Dimensions	5.01" W (127.32mm) x 4.92" H (125mm)
	Weight	w/o Camera 0.32lbs (0.15kg)



AV-CRMA

Corner Mount Adapter

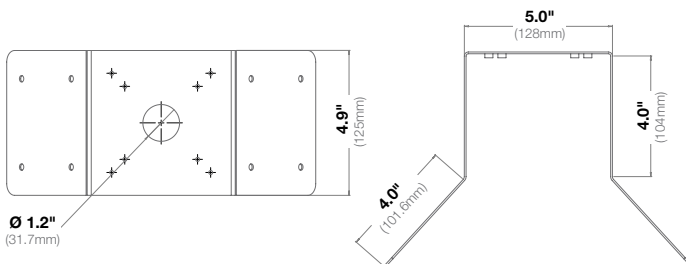


Features:

- Easy Installation and Superior Design
- Heavy Duty Enclosure Protection for Applications in Harsh Environments
- Di-Cast Aluminum is Resistant to Impact and Salt Damage

Compatibility	Works with SurroundVideo® Omni Series
----------------------	---------------------------------------

Mechanical	Casing Material	Aluminum
	Color	Ivory (Pantone cool gray 1c)
	Dimensions	13.04" W (331.25mm) x 4.92" H (125mm)
	Weight	w/o Camera 0.59lbs (0.27kg)



SV-EBA

Electrical Box Adapter



Features:

- Easy Installation and Superior Design
- Heavy Duty Enclosure Protection for Applications in Harsh Environments
- Di-Cast Aluminum is Resistant to Impact and Salt Damage

Compatibility	Compatible with 3/4" NPT standard
----------------------	-----------------------------------

Mechanical	Casing Material	Aluminum
	Color	Ivory (Pantone cool gray 1c)
	Dimensions	4.7" L (120mm) x 4.7" W (120mm) x 0.15" H (4mm)
	Weight	w/o Camera 0.3lbs (0.13kg)

