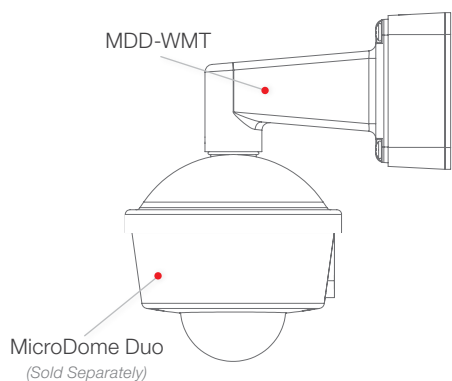


MicroDome® Duo Accessories

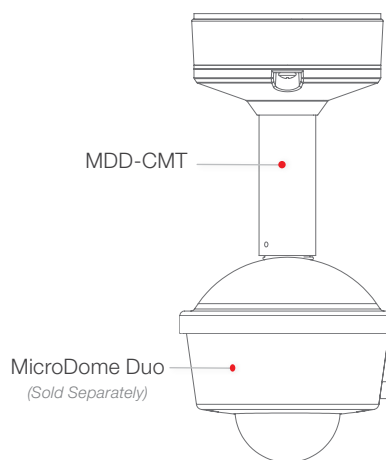
Accessories for MicroDome Duo Indoor/Outdoor Wall, Ceiling and Flush Mounting Solutions



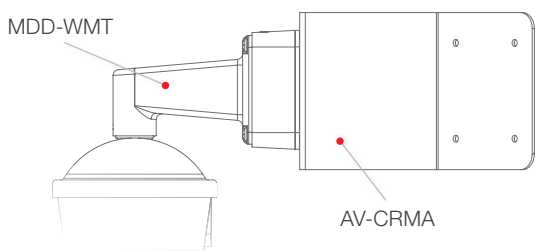
Wall Mount Configuration



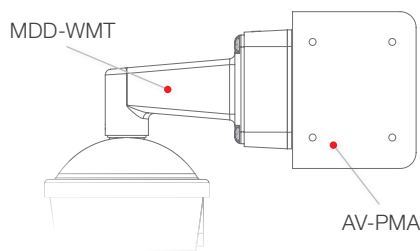
Ceiling Mount Configuration



Wall Mount Configuration with Corner Mount Adapter



Wall Mount Configuration with Pole Mount Adapter



Compatible Camera



MicroDome® Duo

MDD-WMT

Wall Mount with Built-In Junction Box Adapter and Cap

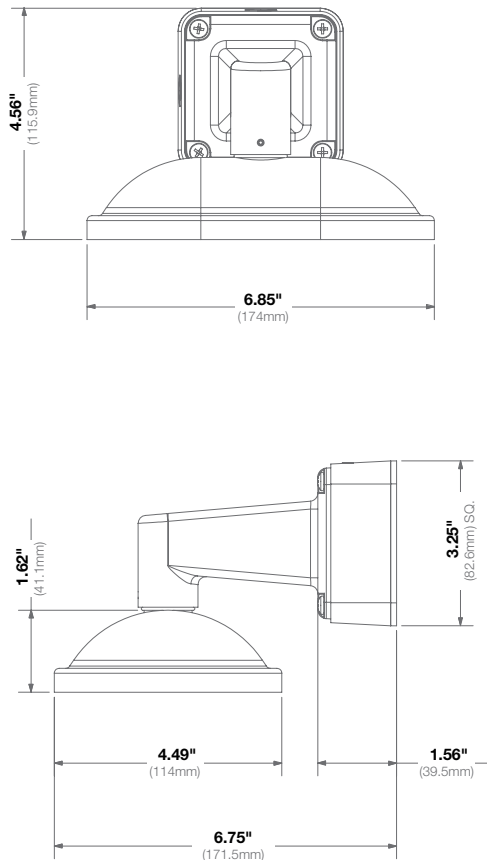


Features:

- Easy Installation and Superior Design
- Heavy Duty Enclosure Protection for Applications in Harsh Environments
- Die-Cast Aluminum is Resistant to Impact and Salt Damage

Compatibility Works with MicroDome Duo cameras

Mechanical	Casing Material	Aluminum
	Color	Ivory (Pantone® Cool Gray 1C)
	Dimensions	See Dimensional Drawings Below
	Weight	w/o Camera 1.47lbs (0.67kg)



MDD-CMT

Ceiling Mount with Built-In Junction Box Adapter and Cap

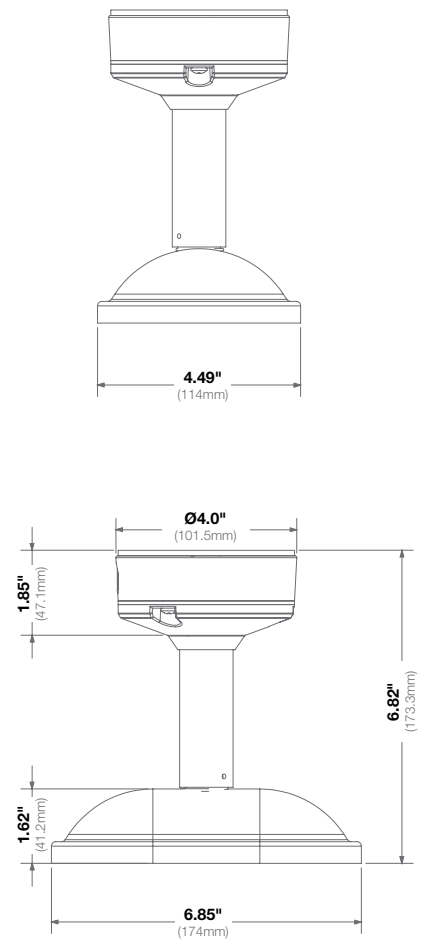


Features:

- Easy Installation and Superior Design
- Heavy Duty Enclosure Protection for Applications in Harsh Environments
- Die-Cast Aluminum is Resistant to Impact and Salt Damage

Compatibility Works with MicroDome Duo cameras

Mechanical	Casing Material	Aluminum
	Color	Ivory (Pantone® Cool Gray 1C)
	Dimensions	See Dimensional Drawings Below
	Weight	w/o Camera 1.41lbs (0.64kg)



MDD-FMA

Flush Mount

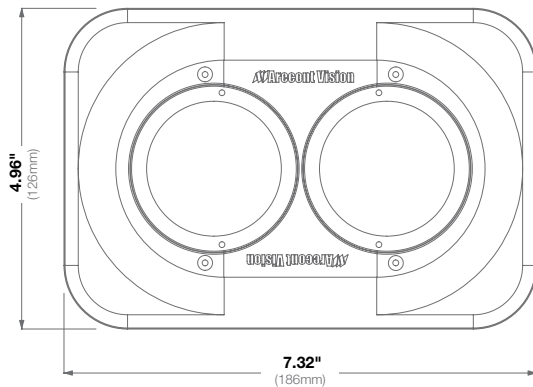
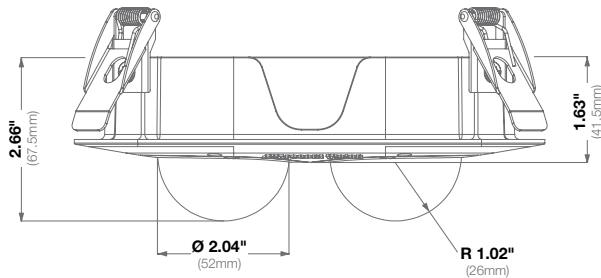


Features:

- Easy to Install Spring-arm Design
- Low Profile Installation

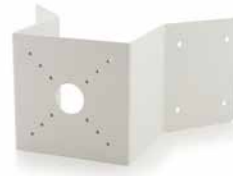
Compatibility Works with MicroDome Duo cameras

Mechanical	Casing Material	Aluminum and Plastic	
	Color	White	
	Dimensions	See Dimensional Drawings Below	
	Weight	w/o Camera	0.56lbs (0.26kg)



AV-CRMA

Corner Mount Adapter

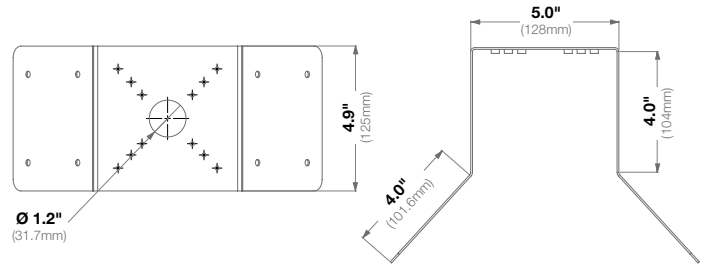


Features:

- Easy Installation and Superior Design
- Heavy Duty Enclosure Protection for Applications in Harsh Environments
- Die-Cast Aluminum is Resistant to Impact and Salt Damage

Compatibility Works with AV-WMJJB, AV-SWMJJB, MDD-WMT, MCD-WMT, and AV-JBA

Mechanical	Casing Material	Aluminum	
	Color	Ivory (Pantone® Cool Gray 1C)	
	Dimensions	13.04" W (331.25mm) x 4.92" H (125mm)	
	Weight	w/o Camera	0.59lbs (0.27kg)



AV-PMA

Pole Mount Adapter



Features:

- Easy Installation and Superior Design
- Heavy Duty Enclosure Protection for Applications in Harsh Environments
- Die-Cast Aluminum is Resistant to Impact and Salt Damage

Compatibility Works with AV-WMJJB, AV-SWMJJB, MDD-WMT, MCD-WMT, and AV-JBA

Mechanical	Casing Material	Aluminum	
	Color	Ivory (Pantone® Cool Gray 1C)	
	Dimensions	5.01" W (127.32mm) x 4.92" H (125mm)	
	Weight	w/o Camera	0.32lbs (0.15kg)

