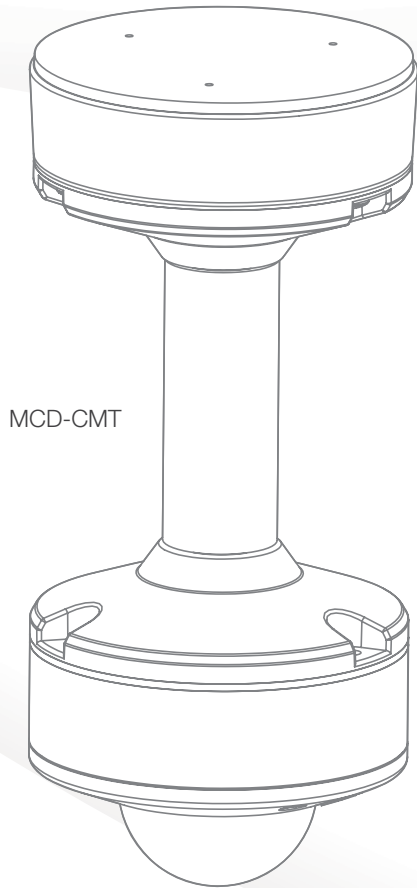


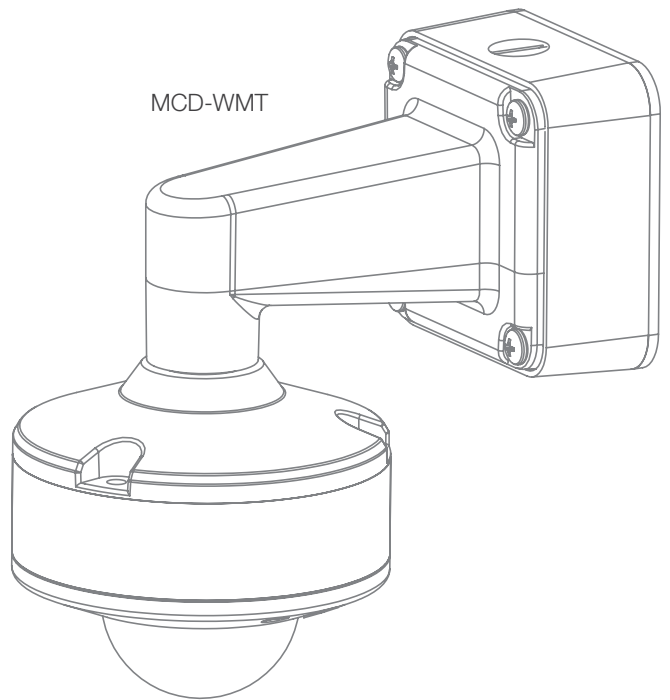
MicroDome® Accessories

Accessories for Indoor/Outdoor Ceiling and Wall Mounting Solutions



MCD-CMT

Ceiling Mount Configuration



MCD-WMT

Wall Mount Configuration



Surface Mount (-S)

Model Compatibility

1.3 Megapixel	1080p	1080p WDR	3 Megapixel	3 Megapixel WDR	5 Megapixel
AV1455DN-S	AV2455DN-S	AV2456DN-S	AV3455DN-S	AV3456DN-S	AV5455DN-S

MCD-CMT

Pendant Mount



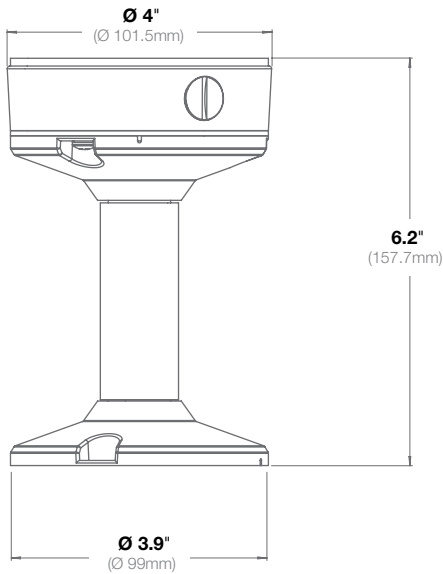
Features:

- Easy Installation and Superior Design
- Heavy Duty Enclosure Protection for Applications in Harsh Environments
- Di-Cast Aluminum is Resistant to Impact and Salt Damage

Compatibility	Compatible with 3/4" NPT standard	
	Works with MicroDome® surface mount domes (-S)	

Environmental	Enclosure Protection	IP66 weather proof standard
	Protection Grade	Impact resistant, IK-10 rated

Mechanical	Casing Material	Aluminum
	Color	Ivory (Pantone cool gray 1c)
	Dimensions	See Dimensional Drawings Below
	Weight	w/o Camera 0.46lbs (0.21kg)



MCD-WMT

Wall Mount



Features:

- Easy Installation and Superior Design
- Heavy Duty Enclosure Protection for Applications in Harsh Environments
- Di-Cast Aluminum is Resistant to Impact and Salt Damage

Compatibility	Compatible with 3/4" NPT standard	
	Works with MicroDome® surface mount domes (-S)	

Environmental	Enclosure Protection	IP66 weather proof standard
	Protection Grade	Impact resistant, IK-10 rated

Mechanical	Casing Material	Aluminum
	Color	Ivory (Pantone cool gray 1c)
	Dimensions	See Dimensional Drawings Below
	Weight	w/o Camera 0.54lbs (0.25kg)

