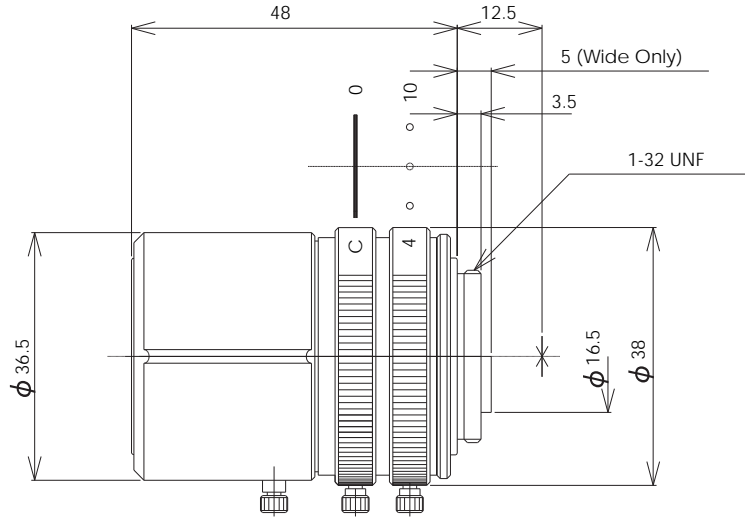




LENS4-10



1/2"		1.8/4~10mm CS	
Focal Length		f=4~10mm	
Max. Diameter (Ratio)		F=1:1.8	
Element		8GROUP	8ELEMENTS
Picture Size		4.8x6.4mm	
Angle	Vertical Angle	69.0°~28.0°	
	Horizontal Angle	94.8°~37.3°	
	Diamond Angle	122.3°~46.5°	
Distortion		-18.6%~-1.6%	
Shooting Range at	Ver.	434mm~157mm	
Minimum Focus	Hor.	689mm~213mm	
Distance	Dia.	1163mm~271	
Min. Focus Distance		0.3m	
Flange Back		12.5mm	in air
Back Focus		8.27mm~13.90mm	in air
Filter Screw	Size	----	
Front/Rear Effective Diameter		∅ 24.8mm	∅ 7.6mm
Mount		CS-MOUNT	
Exit Pupil			
Temperature Range		-10~45°C	
Storing Temperature Range		-40~60°C	
Resolution	Center/Corner	100Line/mm	40Line/mm
Stopper Strength		10kgf/cm	
Endurance Tests		F:5,000Times	Z:5,000Times I:5,000Times
Weight		90g	

AV4-10mm MP Lens

1/2" CS F1.4/4-10mm