

AV NVR™ PoE Network Video Recorder

Arecont Vision® 8 or 16 Channel Network Video Recorder with Built-in PoE Switch



The Arecont Vision AV NVR is a stand-alone network video recorder with a built in 8- or 16- channel PoE switch. The AV NVR features a custom designed user interface with user-friendly features such as instant playback, power status monitoring, mobile apps for remote viewing and playback,

and plug-and-play support for all Arecont Vision cameras. When coupled with Arecont Vision's industry leading camera technology, the AV NVR provides a cost-effective and easy-to-use solution for small to medium sized installations.

Series Features

- Ideal for Small (AV800) or Small-to-Medium (AV1600) Size Installations
- Works with Arecont Vision Brand Single and Multi-Sensor Cameras
- Up to 8 or 16 Channels (The Number of Sensors in a Camera = The Number of Channels on the NVR)
 - Example (AV800): 4x Arecont Vision 5 Megapixel (MP) MicroDome® Single Sensor Cameras (4 Channels) + 1x Arecont Vision 12MP SurroundVideo® Omni (4 Channels) = 8 Channels
 - Example (AV800): 6x Arecont Vision 3MP MegaDome® 2 Cameras (6 Channels) + 2x Arecont Vision 5MP MegaView® 2 (2 Channels) = 8 Channels
 - Example (AV1600): 4x Arecont Vision 5MP MicroDome Single Sensor Cameras (4 Channels) + 3x Arecont Vision 12MP SurroundVideo Omni (12 Channels) = 16 Channels
 - Example (AV1600): 8x Arecont Vision 3MP MegaDome 2 Cameras (8 Channels) + 8x Arecont Vision 5MP MegaView 2 (8 Channels) = 16 Channels
- Smart Plug-and-Play makes Camera Setup and Configuration Easy with Auto Discover and Auto Configuration
- Customer Replaceable Hard Disk Drives — 2 SATA Storage Bays (Up to 12TB)
- Western Digital Purple Hard Disk Drives Designed for Surveillance Applications
- AV800 — Up to 10MP Resolution Recording, Including 4K Resolution and 40MP Panoramic Cameras
- AV1600 — Up to 5MP Resolution Recording, NOT Including 4K Resolution and 40MP Panoramic Cameras
- H.265, H.264, MPEG4, and MJPEG Compression
- SNAPstream™ (Smart Noise Adaptation and Processing) Technology Support
- Free Mobile App* for Remote Viewing and Playback
- Power Status Utility
- Instant Playback

* Free mobile app NVR Viewer is available to download on the Apple and Android App Stores

Recorder Specifications

Model		AV800-0T2	AV800-2T1	AV800-4T0	AV1600-0T2	AV1600-4T1	AV1600-8T0
Video	Inputs	8 Channels			16 Channels		
	Decoding Format	H.265/H.264/MJPEG					
	Recording Bandwidth	160Mbps					
	Resolution	10MP (Up to 5 channels only), 4K (Up to 5 channels only), 5MP, 3MP, 1080p, 1.2MP, 720p, D1, CIF, QCIF, Support SurroundVideo 40MP Camera, 4K Resolution cameras			5MP (Up to 8 channels only), 3MP, 1080p, 1.2MP, 720p, D1, CIF, QCIF		
Live View / Playback Capability	1080p x 8@240fps, 3MP x 8@240fps, 5MP x 8@192fps, 4K x 5@120fps, 10MP x 5@96fps			1080p x 16@480fps, 3MP x 16@320fps, 5MP x 8@192fps			
Two-Way Audio		G.711, G.726					
Storage	SATA	2 SATA Interfaces (Up to 6TB for each HDD, Max 12TB)					
	Built-in HDD	-	2TB x 1	2TB x 2	-	4TB x 1	4TB x 2
Dual Monitor	Main Display	Live View, Playback, Settings, Event					
	Sub Display	Live View (Multi-screen display / Sequence display)					

Functions

Live View	Display Mode	Live View, Instant Playback, Full Screen, Sequence View	
	Multi Screen Display	1/4/6/8 Channels (AV800 models)	
		1/4/6/8/9/10/12/13/16 Channels (AV1600 models)	
Snapshot	Video Snapshot in JPEG format		
Playback	Synchronized Playback	Local Display: Max 4 channels / Web Display: Max 8 channels (AV800 models)	
		Local Display: Max 4 channels / Web Display: Max 16 channels (AV1600 models)	
	Playback Control	Play, Pause, Stop, Forward, Reverse, Speed Adjust, Frame by Frame	
	Search Mode	Search Video by Date, Event, Bookmark	
Export Video	Export Playback Videos to Local Computer or USB in AVI Format		
Recording	Recording Mode	Manual, Continuous, Schedule, Event	
	Event Recording	Pre-alarm	0 to 5 sec
Post-alarm		5 to 60 sec	
Event	Event Type	System	System Start, Disk Fail, Camera Disconnection, Log Space Insufficient, Disk Space Insufficient, Disk Recycle, High Disk Temperature, Hardware Event Notification
		Camera	Motion Detection, Digital Input
	Event Action	Mail, FTP, Recording, Buzzer	
Camera Settings	Easy Configuration	Auto Discover, Auto Configuration	
	Streaming Settings	Compression Format, Resolution, Frame Rate, Bitrate Control, Quality Setting, Multi-Stream Setting (up to 4 streams)	
	Image Settings	Zoom, Focus, Auto Focus, Day and Night Mode, Brightness, Saturation, Image Rotation, Flicker Control, Illumination Mode, IR Light Control, Casino Mode™, SNAPstream™	
	Event Settings	Motion Detection, Digital Input	
User Management	Number of Groups	7 (Administrator, Guest, 5 User Defined)	
	Privileges	Live View, Playback, System Configurations, Camera Configurations, Video, Recording Configurations	
Power Status Utility	Monitor each PoE port power consumption, Remotely recycle each PoE port power		

Network

Protocol Support	System	SHTTP / SMTP / DHCP / ARP / NTP / DDNS / UPnP / FTP
	Camera	Arecont Vision®, ONVIF Profile S
Outgoing Bandwidth	320Mbps	
Remote Users	Unlimited remote clients, 128 connections (Live view / Playback)	

System

Web Browser	Microsoft Internet Explorer (IE10 or above), Apple Safari (9.0.1 or above)
Security	Group Permission, User Access Log, Export Video Authenticity
Log Types	Alarm, Event, User Access
Language	English, Traditional Chinese, Simplified Chinese, Japanese
System Control	Keyboard, Mouse (Included)

Physical Interfaces

Front	Indicator	Alarm, Status, Disk, Power
	USB	2 USB2.0
	Button	Record, Reset, Mute
Back	USB	1 USB3.0
	Button	Power, System Power Supply
	PoE	8 independent 100 Mbps PoE network interfaces, Max 20W for single port, Max 200W in total, Up to IEEE 802.3at/20W per channel (AV800 Models) 16 independent 100 Mbps PoE network interfaces, Max 20W for single port, Max 200W in total, Up to IEEE 802.3at/20W per channel (AV1600 Models)
	HDMI	4K (3840x2160) / 60Hz, 4K (3840x2160) / 30Hz, 1920x1080p / 60Hz, 1920x1080p / 50Hz, 1600x1200 / 60Hz, 1280x1024 / 60Hz, 1280x720 / 60Hz, 1024x768 / 60Hz
	VGA	1920x1080p / 60Hz, 1920x1080p / 50Hz, 1600x1200 / 60Hz, 1280x1024 / 60Hz, 1280x720 / 60Hz, 1024x768 / 60Hz
	Ethernet	1 RJ-45 10M / 100M / 1000M
Audio Input	1-Ch, RCA	
Audio Output	RCA, HDMI	

Electrical

Input Voltage	100V ~ 240V	
Power	No HDD	12W
	1x HDD	20W
	2x HDDs	28W

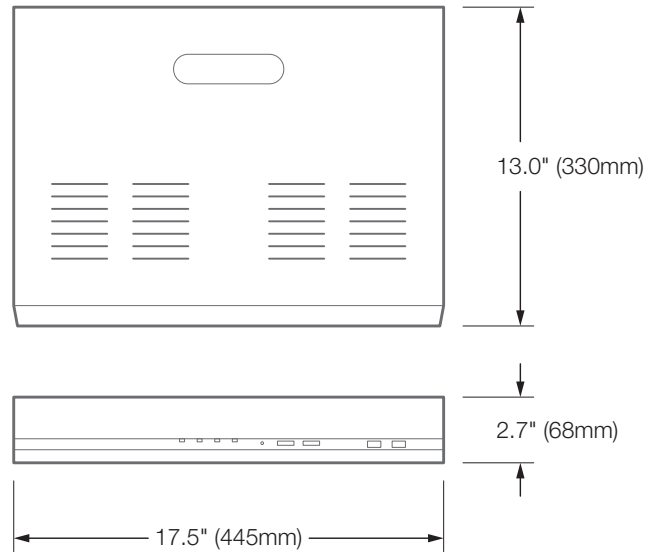
Mechanical

Dimensions <i>(See Dimensions)</i>	Unit	2.7" H (68mm) x 13.0" W (330mm) x 17.5" L (445mm)	
	Packaged	5.9" H (151mm) x 17.3" W (440mm) x 21.7" L (550mm)	
Weight	Unit	No HDD	6.17lbs (2.80kg)
		1x HDD	7.74lbs (3.51kg)
		2x HDDs	9.31lbs (4.22kg)
	Packaged	No HDD	8.73lbs (3.96kg)
		1x HDD	10.30lbs (4.67kg)
		2x HDDs	11.87lbs (5.38kg)

Compliance

Industry Standard	ONVIF Profile S conformant
Networking Standard	IEEE 802.3af/at
CoO	Made in China

Dimensions



Ordering Information



Model Numbers

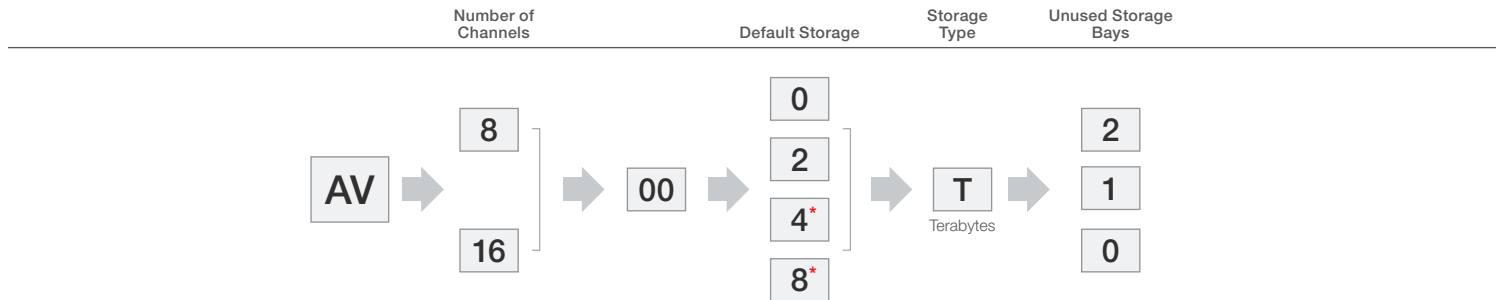
8 Ch	AV800-0T2
	AV800-2T1
	AV800-4T0
16 Ch	AV1600-0T2
	AV1600-4T1
	AV1600-8T0

Configurations



8 or 16 Channels

Create Your Model (Example: AV1600-4T1)



* Both storage bays are in use if the model number ends with "0" (e.g. AV1600-8T0 uses two 4TB hard drives)