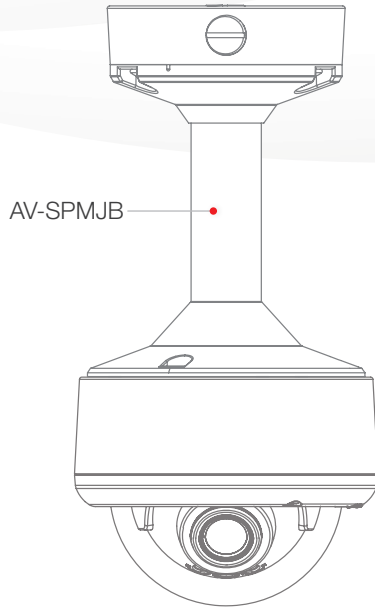


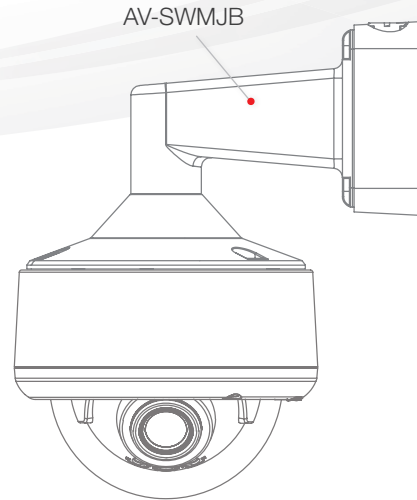
MegaBall® Series Accessories

Accessories for MegaBall® and MegaBall® G2 Indoor Ceiling and Wall Mounting Solutions

Ceiling Mount Configuration



Wall Mount Configuration



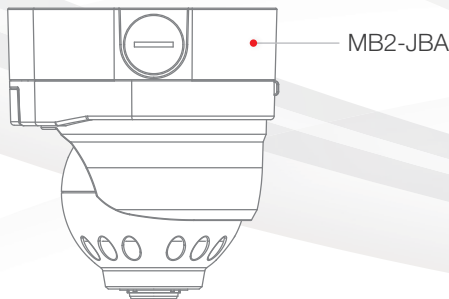
Model Compatibility

| 1.3 Megapixel | 1080p | 1080p WDR | 3 Megapixel | 3 Megapixel WDR | 5 Megapixel |
|--------------------|---------------------|--------------------|--------------------|---------------------|---------------------|
| AV1145DN-3310-D-LG | AV2145DN-3310-D-LG | AV2146DN-3310-D-LG | AV3145DN-3310-D-LG | AV3146DN-3310-D-LG | AV5145DN-3310-D-LG |
| | AV2145DN-3310-DA-LG | AV2246PM-D-LG | AV3245PM-D-LG | AV3146DN-3310-DA-LG | AV5145DN-3310-DA-LG |
| | AV2245PM-D-LG | | | AV3246PM-D-LG | AV5245PM-D-LG |
| | | | | | AV5245DN-01-D-LG |
| | | | | | AV5245DN-01-DA-LG |



Surface Mount (-D-LG)

Bell Mount Configuration



Model Compatibility

| 1.2 Megapixel | 1080p | 1080p WDR | 3 Megapixel | 3 Megapixel WDR | 5 Megapixel |
|------------------|-------------------|------------------|---------------|-------------------|-------------------|
| AV1245PMIR-SB-LG | AV2245PM-B-LG | AV2246PM-B-LG | AV3245PM-B-LG | AV3246PM-B-LG | AV5245PM-B-LG |
| | AV2245PMIR-SB-LG | AV2246PMIR-SB-LG | AV3245PMIR-SB | AV3246PMIR-SB-LG | AV5245PMIR-SB-LG |
| | AV2245PMIR-SBA-LG | | | AV3246PMIR-SBA-LG | AV5245PMIR-SBA-LG |



Bell Mount (-B-LG)

Bell Mount with Adjustable IR Illuminator (IR-SB-LG)

AV-SPMJB

Pendant Mount

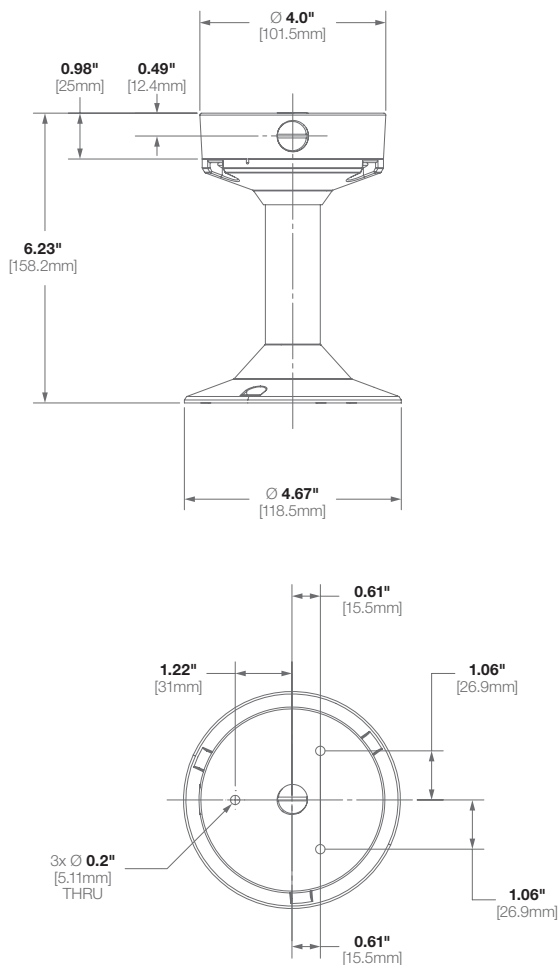


Features:

- Easy Installation and Superior Design
- Heavy Duty Enclosure Protection for Applications in Harsh Environments
- Die-Cast Aluminum is Resistant to Impact and Salt Damage

| | |
|----------------------|---|
| Compatibility | Compatible with 1/2" NPT standard |
| | Works with MegaBall® and MegaBall® G2 surface mount domes and MegaVideo® Compact D4S (surface mount dome) |

| | | |
|-------------------|------------------------|---------------------------------------|
| Mechanical | Casing Material | Aluminum |
| | Color | Ivory (Pantone® Cool Gray 1C) |
| | Dimensions | Ø 4.67" (118.5mm) x 6.23" H (158.2mm) |
| | Weight | w/o Camera 0.46lbs (0.21kg) |



AV-SWMJB

Wall Mount

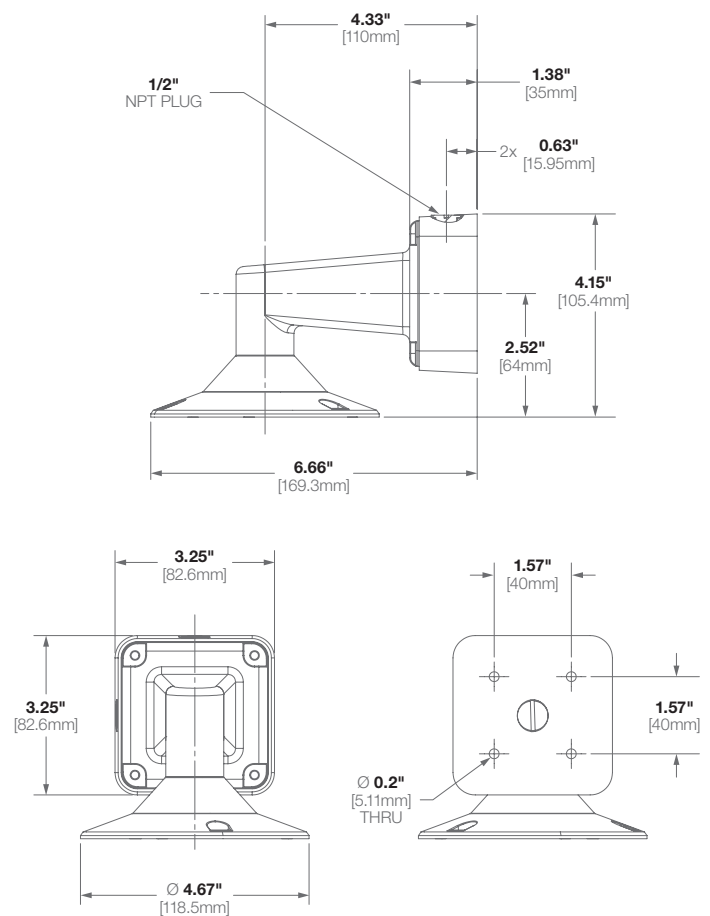


Features:

- Easy Installation and Superior Design
- Heavy Duty Enclosure Protection for Applications in Harsh Environments
- Die-Cast Aluminum is Resistant to Impact and Salt Damage

| | |
|----------------------|---|
| Compatibility | Compatible with 1/2" NPT standard |
| | Works with MegaBall® and MegaBall® G2 surface mount domes and MegaVideo® Compact D4S (surface mount dome) |

| | | |
|-------------------|------------------------|---------------------------------------|
| Mechanical | Casing Material | Aluminum |
| | Color | Ivory (Pantone® Cool Gray 1C) |
| | Dimensions | Ø 4.67" (118.5mm) x 4.15" H (105.4mm) |
| | Weight | w/o Camera 0.54lbs (0.25kg) |



MB2-JBA

Junction Box Adapter for Bell Mount

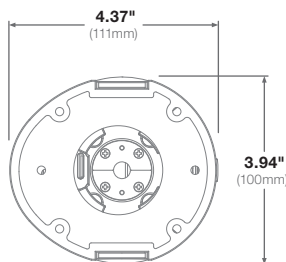
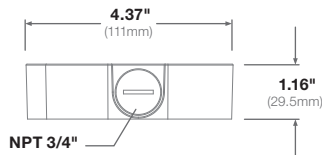


Features:

- Easy Installation and Superior Design
- Heavy Duty Enclosure Protection for Applications in Harsh Environments
- Die-Cast Aluminum is Resistant to Impact and Salt Damage

| | |
|----------------------|-------------------------------------|
| Compatibility | Compatible with 3/4" NPT standard |
| | Works with MegaBall® G2 Bell Mounts |

| | | |
|-------------------|------------------------|--|
| Mechanical | Casing Material | Aluminum |
| | | IP66 Outdoor Protection Grade |
| | Color | Ivory (Pantone® Cool Gray 1C) |
| | Dimensions | 4.37" L (111mm) x 3.94" W (100mm) x 1.16" H (29.5mm) |
| | Weight | w/o Camera 0.57lb (0.26kg) |



AV-EBA

Electrical Box Adapter



Features:

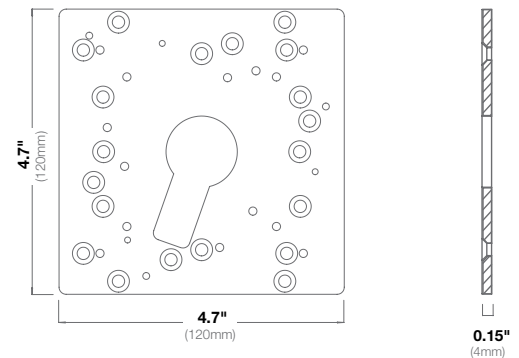
- Easy Installation and Superior Design
- Heavy Duty Enclosure Protection for Applications in Harsh Environments
- Die-Cast Aluminum is Resistant to Impact and Salt Damage

| | |
|----------------------|-----------------------------------|
| Compatibility | Compatible with 3/4" NPT standard |
|----------------------|-----------------------------------|

Compatible with the following:

| Parts | Description |
|--------------------------|--|
| AV-JBA | Junction Box Adapter |
| D4SO | Indoor/Outdoor 4" IP66, IK-10 Surface Mount Dome |
| HSG2-WMT | Wall Mount for HSG2 Housing |
| MB2-JBA | Junction Box Adapter for Bell Mount |
| MegaBall® Dome Cameras | All-in-One Indoor Cameras with 3.3-10mm Vari-Focal Lens. Not compatible with AV-SPMJB or AV-SWMJB. |
| MegaDome® Series Cameras | All-in-One Indoor/Outdoor Dome Solution with Remote Focus/Zoom option |
| MicroDome® -S Model | All-in-One Ultra Low Profile Day/Night Indoor or Indoor/Outdoor Surface Mount Dome Cameras |

| | | |
|-------------------|------------------------|---|
| Mechanical | Casing Material | Aluminum |
| | Color | Ivory (Pantone® Cool Gray 1C) |
| | Dimensions | 4.7" L (120mm) x 4.7" W (120mm) x 0.15" H (4mm) |
| | Weight | w/o Camera 0.3lbs (0.13kg) |

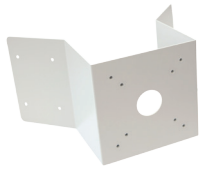


Quick Installation:

1. Pass cables through the center hole of the adapter plate.
2. Attach the adapter plate to the electrical box (sold separately) using the appropriate hardware and mounting holes.
3. Attach the compatible part noted above.

AV-CRMA

Corner Mount Adapter

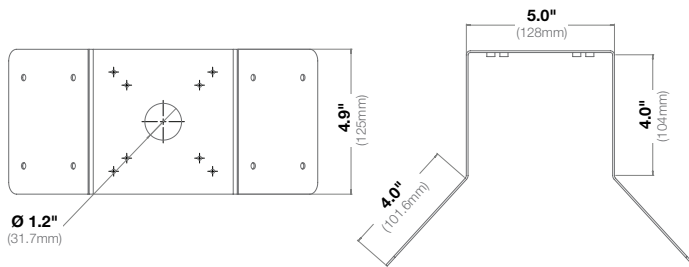


Features:

- Easy Installation and Superior Design
- Heavy Duty Enclosure Protection for Applications in Harsh Environments
- Die-Cast Aluminum is Resistant to Impact and Salt Damage

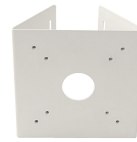
Compatibility Works with AV-JBA, AV-PMJB, AV-SWMJB and AV-WMJB

| | | |
|-------------------|------------------------|---------------------------------------|
| Mechanical | Casing Material | Aluminum |
| | Color | Ivory (Pantone® Cool Gray 1C) |
| | Dimensions | 13.04" W (331.25mm) x 4.92" H (125mm) |
| | Weight | w/o Camera 0.59lbs (0.27kg) |



AV-PMA

Pole Mount Adapter



Features:

- Easy Installation and Superior Design
- Heavy Duty Enclosure Protection for Applications in Harsh Environments
- Die-Cast Aluminum is Resistant to Impact and Salt Damage

Compatibility Works with AV-JBA, AV-PMJB, AV-SWMJB and AV-WMJB

| | | |
|-------------------|------------------------|--------------------------------------|
| Mechanical | Casing Material | Aluminum |
| | Color | Ivory (Pantone® Cool Gray 1C) |
| | Dimensions | 5.01" W (127.32mm) x 4.92" H (125mm) |
| | Weight | w/o Camera 0.32lbs (0.15kg) |

