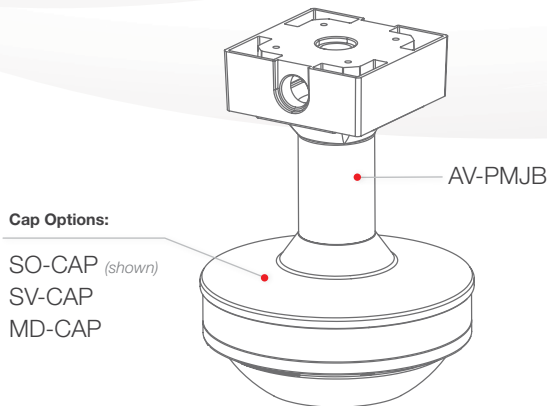


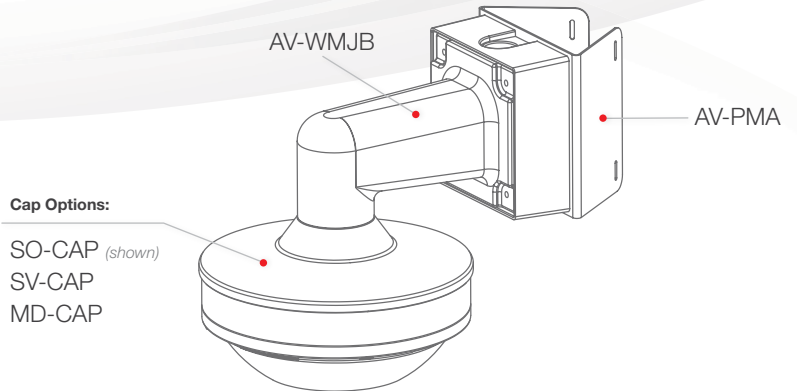
# Standard Dome Accessories

Accessories for Indoor/Outdoor Ceiling, Wall, Pole and Corner Mounting Solutions

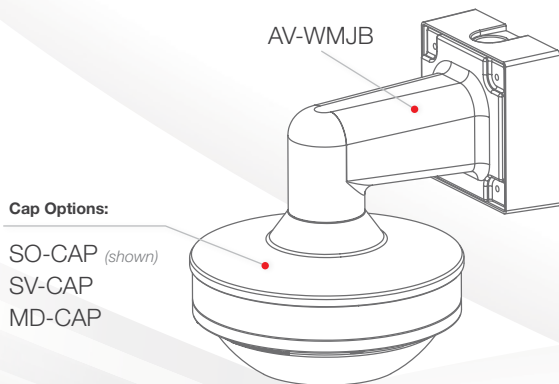
## Ceiling Mount Configuration



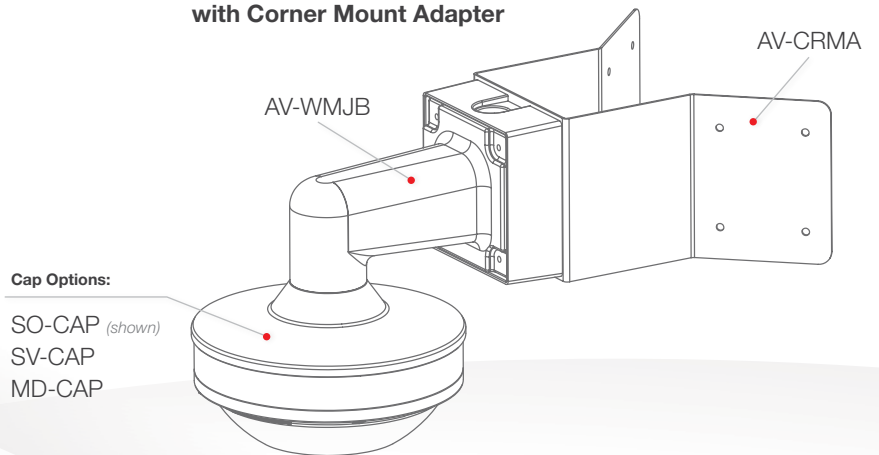
## Wall Mount Configuration with Pole Mount Adapter



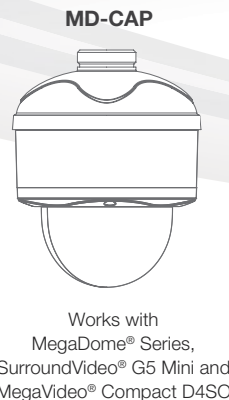
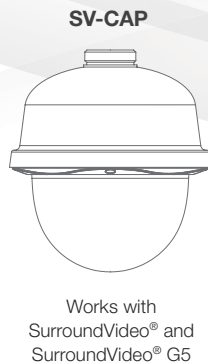
## Wall Mount Configuration



## Wall Mount Configuration with Corner Mount Adapter



### Cap Options:



### Compatible Cameras:



## AV-PMJB

Pendant Mount Bracket with Junction Box

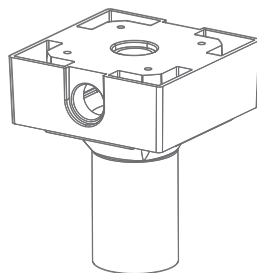
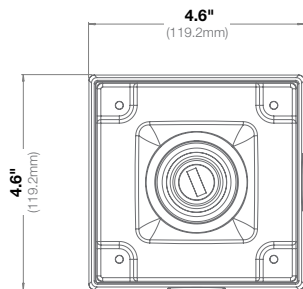
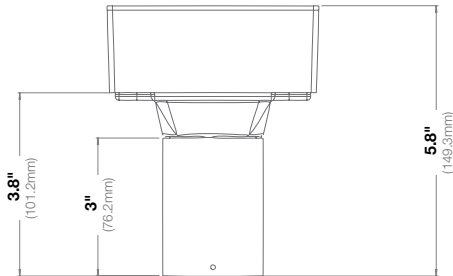


**Features:**

- Easy Installation and Superior Design
- Heavy Duty Enclosure Protection for Applications in Harsh Environments
- Di-Cast Aluminum is Resistant to Impact and Salt Damage

<b>Compatibility</b>	Compatible with 1.5" NPT Female
	Works with SurroundVideo® Series, MegaDome® Series, and D4SO

<b>Mechanical</b>	<b>Casing Material</b>	Aluminum
	<b>Color</b>	Ivory (Pantone cool gray 1c)
	<b>Dimensions</b>	5.87" H (149.31mm) x 4.69" W (119.20mm)
	<b>Weight</b>	<b>w/o Camera</b> 2.12lbs (0.96kg)



## AV-WMJB

Wall Mount Bracket with Junction Box

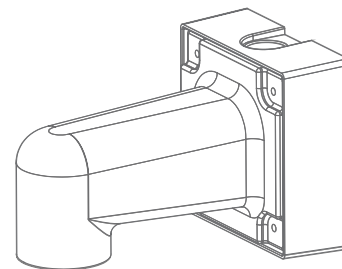
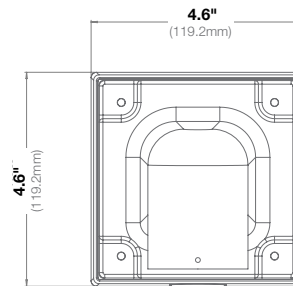
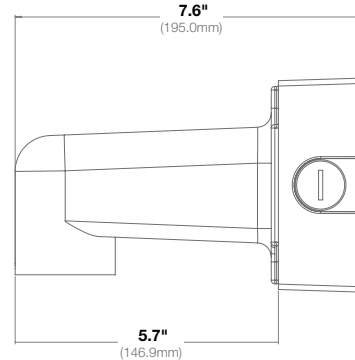


**Features:**

- Easy Installation and Superior Design
- Heavy Duty Enclosure Protection for Applications in Harsh Environments
- Di-Cast Aluminum is Resistant to Impact and Salt Damage

<b>Compatibility</b>	Compatible with 1.5" NPT Female
	Works with SurroundVideo® Series, MegaDome® Series, and D4SO

<b>Mechanical</b>	<b>Casing Material</b>	Aluminum
	<b>Color</b>	Ivory (Pantone cool gray 1c)
	<b>Dimensions</b>	7.68" L (195.05mm) x 4.69" W (119.20mm)
	<b>Weight</b>	<b>w/o Camera</b> 2.49lbs (1.13kg)



## AV-JBA

Junction Box Adapter

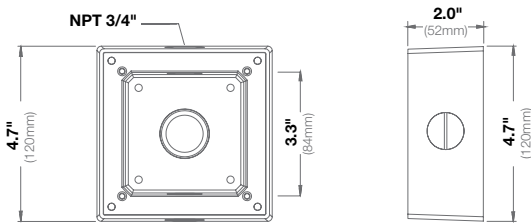


### Features:

- Easy Installation and Superior Design
- Heavy Duty Enclosure Protection for Applications in Harsh Environments
- Di-Cast Aluminum is Resistant to Impact and Salt Damage

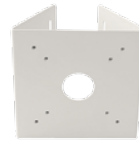
<b>Compatibility</b>	Compatible with 3/4" NPT standard
	Works with AV-PMJB*, AV-WMJB*, D4S-WMT, HSG2-WMT, and MegaView® 2*

<b>Mechanical</b>	<b>Casing Material</b>	Aluminum
		IP66 Outdoor Protection Grade
	<b>Color</b>	Ivory (Pantone cool gray 1c)
	<b>Dimensions</b>	4.7" L (120mm) x 4.7" W (120mm) x 2.0" H (52mm)
	<b>Weight</b>	<b>w/o Camera</b> 1.3lbs (0.63kg)



## AV-PMA

Pole Mount Adapter

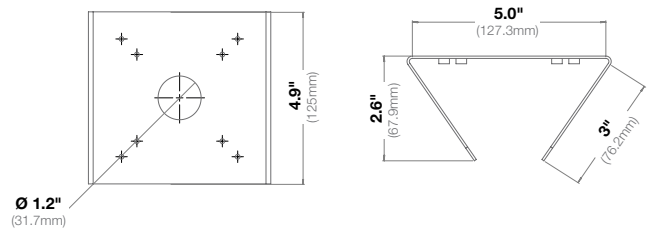


### Features:

- Easy Installation and Superior Design
- Heavy Duty Enclosure Protection for Applications in Harsh Environments
- Di-Cast Aluminum is Resistant to Impact and Salt Damage

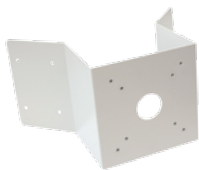
<b>Compatibility</b>	Works with AV-PMJB, AV-WMJB and AV-JBA
----------------------	--

<b>Mechanical</b>	<b>Casing Material</b>	Aluminum
	<b>Color</b>	Ivory (Pantone cool gray 1c)
	<b>Dimensions</b>	5.01" W (127.32mm) x 4.92" H (125mm)
	<b>Weight</b>	<b>w/o Camera</b> 0.32lbs (0.15kg)



## AV-CRMA

Corner Mount Adapter

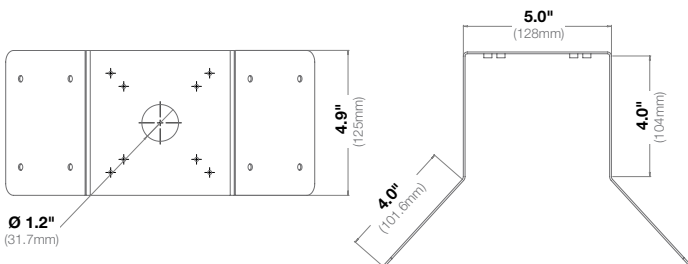


### Features:

- Easy Installation and Superior Design
- Heavy Duty Enclosure Protection for Applications in Harsh Environments
- Di-Cast Aluminum is Resistant to Impact and Salt Damage

<b>Compatibility</b>	Works with AV-PMJB, AV-WMJB and AV-JBA
----------------------	--

<b>Mechanical</b>	<b>Casing Material</b>	Aluminum
	<b>Color</b>	Ivory (Pantone cool gray 1c)
	<b>Dimensions</b>	13.04" W (331.25mm) x 4.92" H (125mm)
	<b>Weight</b>	<b>w/o Camera</b> 0.59lbs (0.27kg)



## AV-EBA (Coming Soon)

Electrical Box Adapter

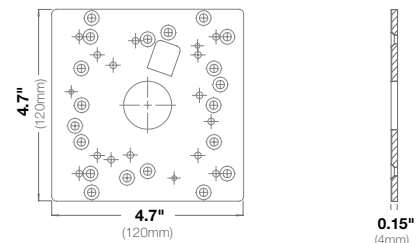


### Features:

- Easy Installation and Superior Design
- Heavy Duty Enclosure Protection for Applications in Harsh Environments
- Di-Cast Aluminum is Resistant to Impact and Salt Damage

<b>Compatibility</b>	Compatible with 3/4" NPT standard
	Works with all Arecont Vision® Cameras

<b>Mechanical</b>	<b>Casing Material</b>	Aluminum
	<b>Color</b>	Ivory (Pantone cool gray 1c)
	<b>Dimensions</b>	4.7" L (120mm) x 4.7" W (120mm) x 0.15" H (4mm)
	<b>Weight</b>	<b>w/o Camera</b> 0.3lbs (0.13kg)



### SO-CAP

Mounting Cap

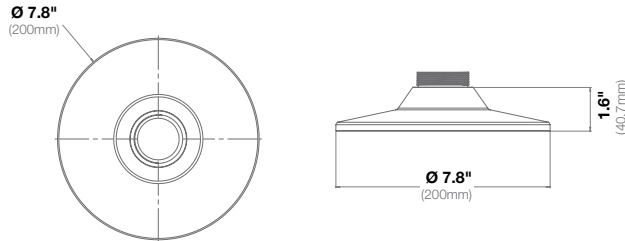


**Features:**

- Easy Installation and Superior Design
- Heavy Duty Enclosure Protection for Applications in Harsh Environments
- Di-Cast Aluminum is Resistant to Impact and Salt Damage

<b>Compatibility</b>	Compatible with 1.5" NPT Male
	Works with SurroundVideo® Omni

<b>Mechanical</b>	<b>Casing Material</b>	Aluminum
	<b>Color</b>	Ivory (Pantone cool gray 1c)
	<b>Dimensions</b>	Ø 7.87" (200mm) x 1.6" H (40.79mm)
	<b>Weight</b>	<b>w/o Camera</b> 0.85lbs (0.39kg)



### SV-CAP

Mounting Cap

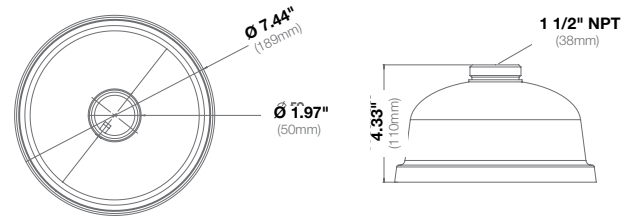


**Features:**

- Easy Installation and Superior Design
- Heavy Duty Enclosure Protection for Applications in Harsh Environments
- Di-Cast Aluminum is Resistant to Impact and Salt Damage

<b>Compatibility</b>	Compatible with 1.5" NPT standard
	Works with SurroundVideo® and SurroundVideo® G5

<b>Mechanical</b>	<b>Casing Material</b>	Aluminum
		IP66 Outdoor Protection Grade
	<b>Color</b>	Ivory (Pantone cool gray 1c)
	<b>Dimensions</b>	Ø 7.4" (189mm) x 4.33" H (110mm)
	<b>Weight</b>	<b>w/o Camera</b> 1.47lbs (0.69kg)



### MD-CAP

Mounting Cap



**Features:**

- Easy Installation and Superior Design
- Heavy Duty Enclosure Protection for Applications in Harsh Environments
- Di-Cast Aluminum is Resistant to Impact and Salt Damage

<b>Compatibility</b>	Compatible with 1.5" NPT standard
	Works with MegaDome® Series, SurroundVideo® G5 Mini and MegaVideo® Compact D4SO

<b>Mechanical</b>	<b>Casing Material</b>	Aluminum
	<b>Color</b>	Ivory (Pantone cool gray 1c)
	<b>Dimensions</b>	Ø 6.06" (154.1mm) x 2.57" H (65.3mm)
	<b>Weight</b>	<b>w/o Camera</b> 1.02lbs (465kg)

