

EZ-One / EZ-One Plus

Stand-alone Access Control Systems

Supports from 1 to 4 doors

The **EZ-One series** are complete access control systems designed for fast and easy installation. EZ-One systems can control from 1 to 4 doors. All required components (controllers, readers, cards, software, UPS, backup batteries & enclosure) are included. The installer only needs to provide electrical locking devices and cabling.

The programming is done via the **easy-to-use ASW-30 software** that can reside in the installer's laptop or end-user's PC. The software provides cardholder management, configuration, on-line event display and event reports. In addition to standard reports on alarm and access events, the ASW-30 software generates **Attendance reports** - an important feature to many users.

The **EZ-One** system includes one APN-30 controller and two readers. This system is capable of controlling one door with IN and OUT readers or two doors with IN readers only. The **EZ-One Plus** system includes two APN-30 controller and four readers. This system is capable of controlling 2 doors with IN and OUT readers or 4 doors with IN readers.

EZ-One and EZ-One Plus features:

- 2-door control (4-door with EZ-One Plus)
- 1-door with entry/exit readers and anti-passback (2-door with EZ-One Plus)
- Stand-alone (keypad required) or computer controlled operation
- RS-232 interface for a printer or PC
- 1000 cards and PINs (keypad required for PIN operation), 10 time zones (2 intervals per time zone) / 8 access levels / 40 holidays
- Non-volatile memory for database storage
- Card only, card and PIN, card or PIN, facility, locked, unlocked reader modes
- Reader modes automatically changed by time zones
- 128 off-line event storage
- Door contact, reader tamper, enclosure tamper and auxiliary alarm monitoring



- Anti-passback and soft anti-passback
- 2 auxiliary outputs controlled by time zones (requires additional relay modules)
- Programmable password/Secondary password for activating auxiliary outputs

ASW-30 Software features:

- On-line event display
- Selective event reports by door, card, date, time
- Attendance reports

Both EZ-One and EZ-One Plus systems are available with **Motorola, Keri** or **HID** proximity readers or **Apollo** mag stripe readers with integral keypads.



Motorola
FlexPass Slim
(EZ-One 100)



Keri P-300
(EZ-One 200)



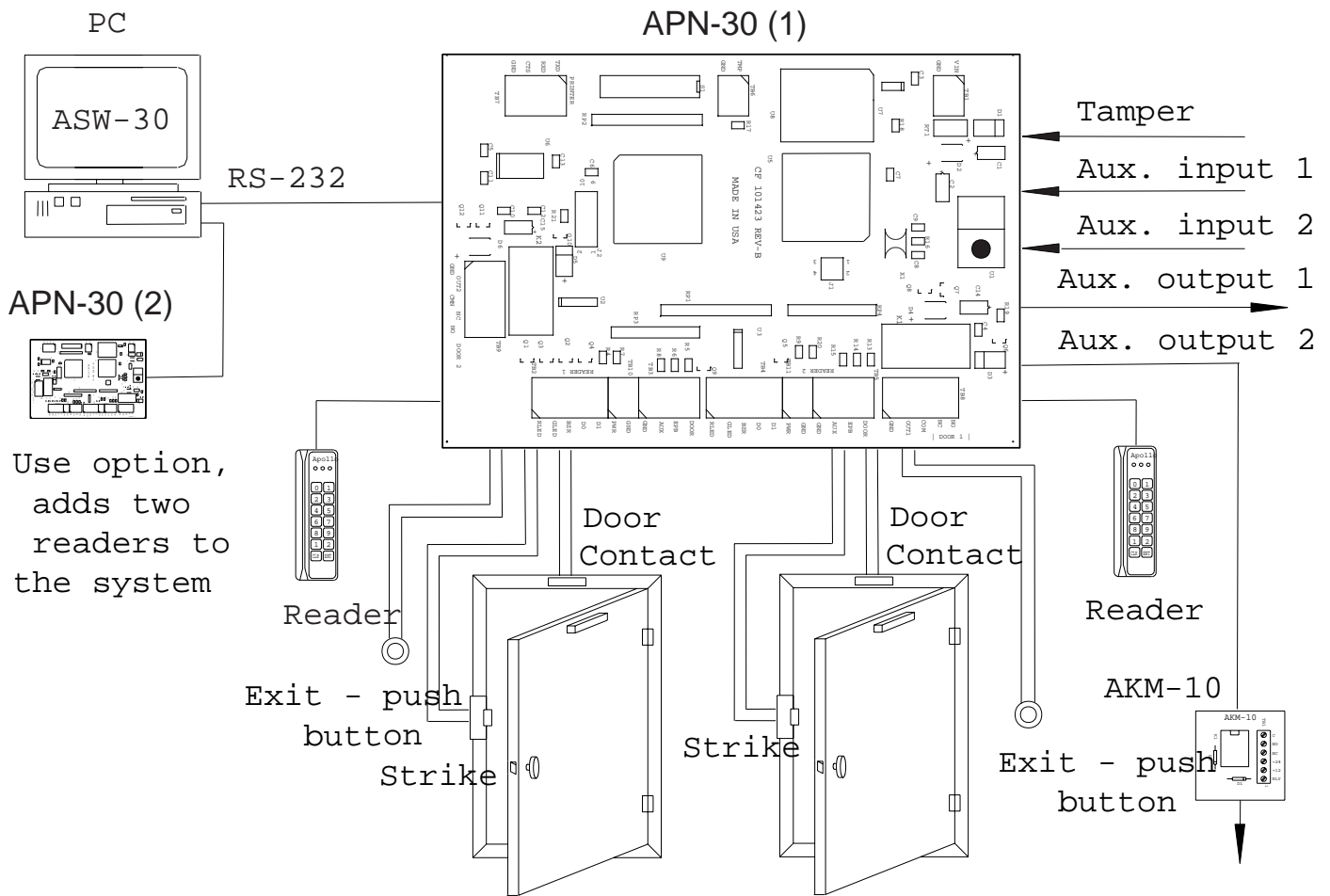
HID MiniProx
(EZ-One 300)



Apollo AP-502
(EZ-One 400)

3610 Birch Street
Newport Beach, California 92660-2619 USA
Phone 949-852-8178 • FAX 949-852-8172
<http://www.apollo-security.com>
E-mail: apollo@apollo-security.com

EZ-ONE / EZ-ONE PLUS CONFIGURATION DIAGRAM



EZ-One components:

- AUS-12 power supply/charger and battery in enclosure
- APN-30 two reader controller
- ASW-30 software
- Two readers
- 25 encoded cards
- 12 foot cable with DB-9 connector for connection to PC

EZ-One Plus components:

- AUS-12 power supply/charger and battery in enclosure
- Two APN-30 two reader controllers
- ASW-30 software
- Four readers
- 25 encoded cards
- 12 foot cable with DB-9 connector for connection to PC

Ordering Information (Put in a table)

Model	Part number	Controllers	Readers	Cards
EZ-One 100	401100	1 APN-30	2 Motorola FlexPass Slim (black)	25 ASC-121T
EZ-One 200	401200	1 APN-30	2 Keri P-300 (black & white)	25 PSC-1
EZ-One 300	401300	1 APN-30	2 HID MiniProx (dark grey)	25 ProxCard II
EZ-One 400	401400	1 APN-30	2 Apollo AP-502 mag stripe (grey)	25 APC-1
EZ-One Plus 100	402100	2 APN-30	4 Motorola FlexPass Slim (black)	25 ASC-121T
EZ-One Plus 200	402200	2 APN-30	4 Keri P-300 (black & white)	25 PSC-1
EZ-One Plus 300	402300	2 APN-30	4 HID MiniProx (dark grey)	25 ProxCard II
EZ-One Plus 400	402400	2 APN-30	4 Apollo AP-502 mag stripe (grey)	25 APC-1

**3610 Birch Street
 Newport Beach, California 92660-2619 USA
 Phone 949-852-8178 • FAX 949-852-8172
<http://www.apollo-security.com>
 E-mail: apollo@netbox.com**