

API Interface Module

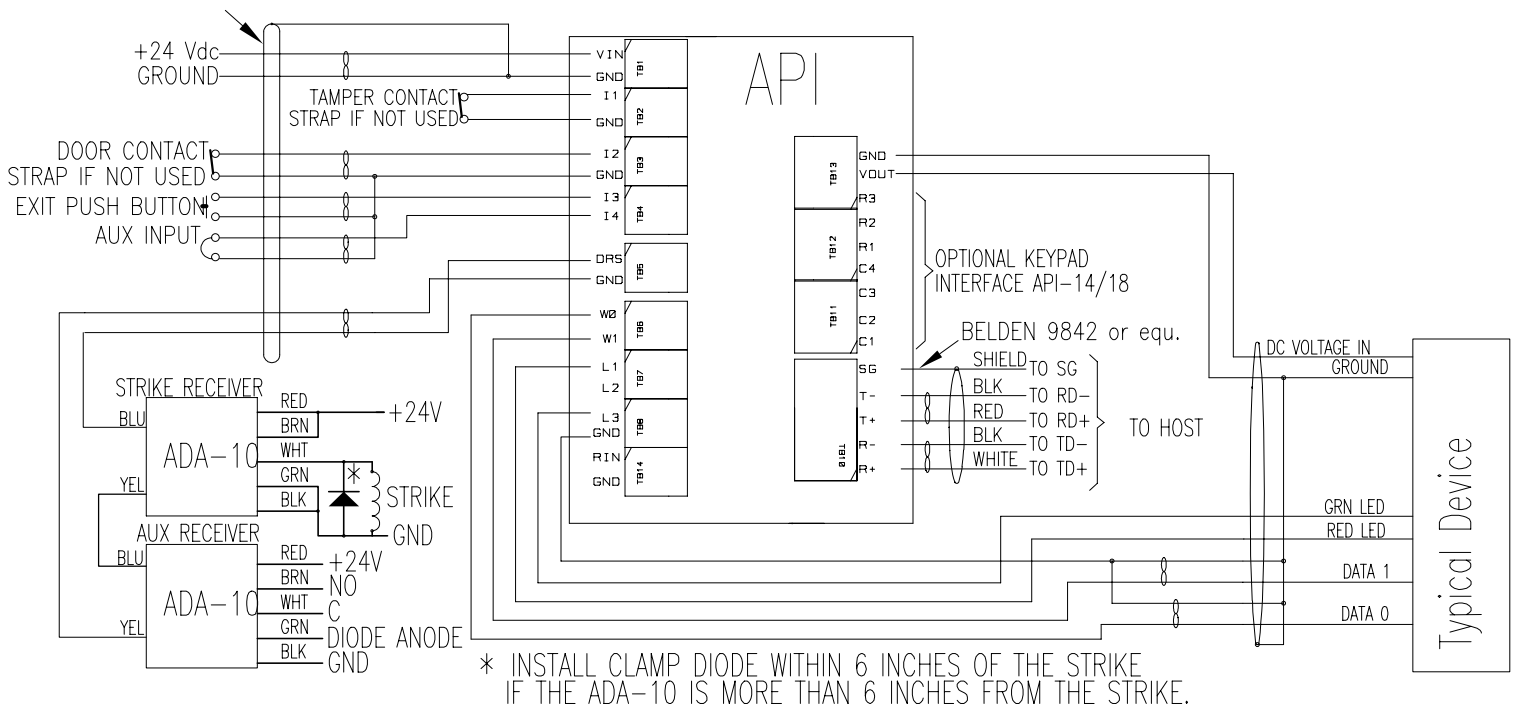
The API module provides a complete interface between the AAM-16/20/80 access/alarm controller or AP-550 master reader to many card readers, keypads, or readers with keypad. Up to 16 interface modules can be connected to each device port of an AAM using the APOLLO proprietary RS-485 communications protocol.

The API monitors door position, exit push button, **auxiliary alarm input**, and Wiegand input (Data 0, Data 1) from each door reader. It controls the electric strike and provides auxiliary outputs.

The API supports magnetic stripe (swipe or insert), Wiegand, proximity cards, proximity vehicle tags, biometric devices, bar code, infrared and long range infrared technologies.

Each API provides a unique device address and can be multi-dropped with other APIs on the 2-wire or 4 wire RS-485 communications line. The API operates from regulated +12 to 24 Vdc. Quick disconnect connectors provide easy installation and support.

The API supports locked/unlocked or facility code access modes should communications with the AP-550, AAM-16/20/80 be interrupted.



**3610 Birch Street
Newport Beach, California 92660-2619 USA
Phone 949-852-8178 • FAX 949-852-8172**

API

Interface Module

The API module, enables access systems to operate with many reader types, such as: proximity, Wiegand, infrared, bar code, mag stripe insert, as well as with keypads of various types and biometric devices. It also extends the host to reader distance up to 4000 ft (1219 m.) with its RS-485 communications interface. API modules interface with devices having Wiegand type (Data 1, Data 0) or mag type (clock, Data) electrical output. All API models provide power (if required) for the devices with which they interface; +12 Vdc @ 0.5A or +5Vdc @ 0.3A. The API is a 7.5 inch x 4.0 inch (19 x 10.2 cm.) printed circuit board assembly with 4 mounting holes. It is designed to mount in an enclosure (APE-20, P/N 420-500, for example) or in any convenient location. Quick disconnect connectors, which accept wire sizes from 30-14 AWG, are used to facilitate installation.

The API provides the following features:

- Supports integrated card reader/keypad
- Monitors position of door
- Monitors request to exit push buttons
- Monitors AUX input (alarm)
- Controls door strike relay output
- Controls 4 auxiliary relay outputs
- Accepts Wiegand inputs from reader/keypad
- Supports 3 access modes on loss of communications: locked, unlocked, facility code
- Low power +12 to +24 Vdc (30 mA)
- Multi-dropped 2/4-wire RS-485 operation
- 7.5" x 5.5" (190.5mm x 140mm)

Model	Part Number	Application	Power Out
API-10	480-000	Prox, IR readers	+12 Vdc
API-11	480-001	Prox, IR readers	+5 Vdc
API-12	480-002	Magnetic insert readers	+5 Vdc
API-13	480-003	Mag swipe, bar code or Cotag readers	+12 Vdc
API-14	480-010	Standalone keypad interface	+12 Vdc
API-15	480-011	HID prox with keypad	+12 Vdc
API-16	480-012	Motorola prox with keypad	+12 Vdc
API-17	480-020	Elevator control	+12 Vdc
API-18	480-021	Elevator control with keypad interface	+12 Vdc
API-20	480-023	Elevator control with AP-501/502	+12 Vdc
API-21	480-024	HID prox keypad with elevator control	+12 Vdc

SPECIFICATIONS

Dimensions:	
Storage Temperature:	-40 to 85° C
Operating Temperature Range:	0 to +50° C
Humidity Range:	0 to 95%, non-condensing
Power Requirements:	+12 to +24 Vdc (regulated) @ 30 mA

3610 Birch Street
Newport Beach, California 92660-2619 USA
Phone 949-852-8178 • FAX 949-852-8172
<http://www.apollo-security.com>
E-mail: apollo@netbox.com

Note: Information contained in this document is subject to change without notice.