

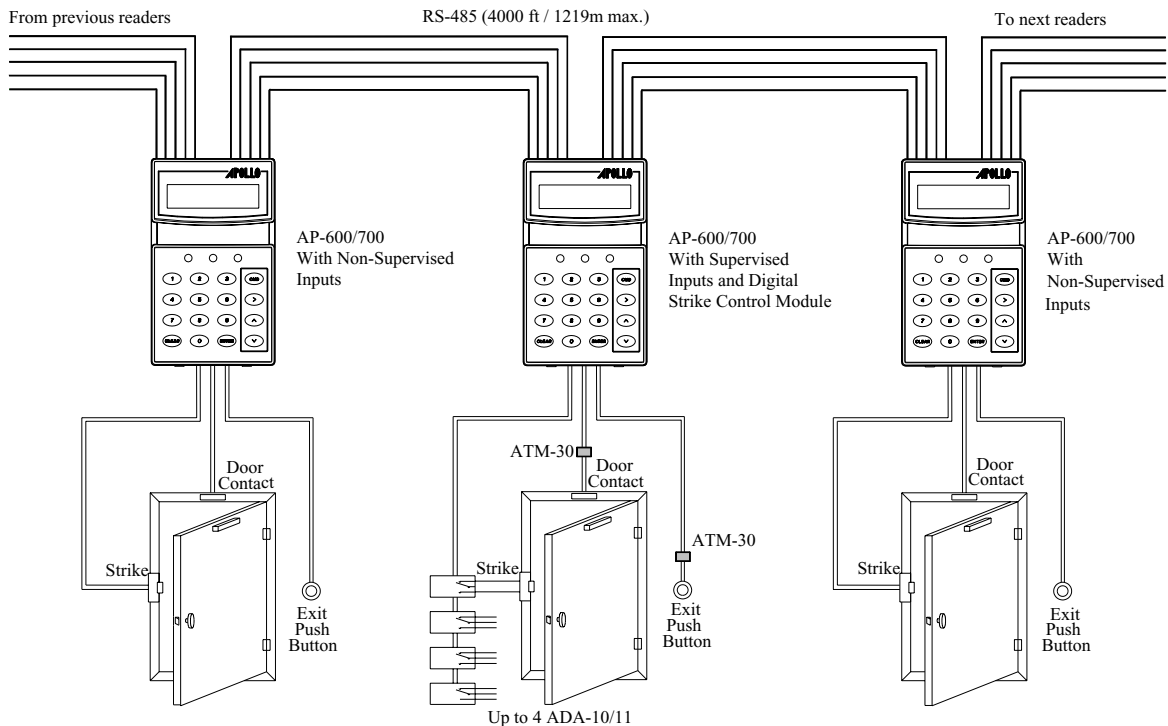
# AP-600/700

## Intelligent proximity / contactless smart card readers with internal door controller and RS-485 interface

The AP-6xx/7xx reader, with its RS-485 interface, is typically used as a slave reader with Apollo AAN-32/100 master controllers or as an OEM reader. Up to 96 readers can be multi-dropped from the AAN-100 controller. RS-485 reader systems are significantly more cost effective because they do not require installation and wiring of any door controllers (reader interfaces) or their associated power supplies and enclosures. Since all door wiring is short and terminates at the reader, the system is more reliable and makes installation and maintenance easier. The AP-600 is capable of reading proximity cards. The AP-700 is capable of reading contactless smart cards.

### AP-600/700 Features:

- Built-in RS-485 interface with internal door controller allows up to 32 readers per comm line
- Flash memory / 4 supervised inputs and up to 4 external high security digital relay outputs
- Built-in connections for door contact, exit pushbutton and two auxiliary alarm inputs (DIP switch selectable supervision)
- Built-in 2 amp strike control relay
- Three different versions: card only; card plus integral keypad; card, keypad and 2-line LCD display
- AP-6xx is capable of reading HID and / or Keri Systems proximity cards
- AP-7xx is capable of reading contactless smart cards (ISO 14443 Type A and B; ISO 15693)
- 3 status LED's and buzzer / plug-in RS-485 communication driver



3610 Birch Street  
Newport Beach, California 92660-2619 USA  
Phone 949-852-8178 • FAX 949-852-8172  
[Http://www.apollo-security.com](http://www.apollo-security.com)  
E-mail: [apollo@apollo-security.com](mailto:apollo@apollo-security.com)

## OPERATION

The AP-600/700 reads the user's encoded card, accepts a PIN input from the keypad (AP-620/625/720/725), buffers the data and sends it to the master reader or controller when interrogated. The AAM-20/80 and AAN-32/100 master controllers make an access decision then sends the access granted/denied to the slave reader. If access is granted, the reader releases the strike (using internal relay or an optional external ADA-10/11 door strike receiver). The reader also collects the status of the door contact, tamper, exit push button, and auxiliary input, and then sends the changes of status to the controller upon interrogation.

## ORDERING INFORMATION

| Model Number | Part Number | Description                                |
|--------------|-------------|--|
| AP-610K      | 401-200     | Keri cards                                 |
| AP-620K      | 401-210     | Keri cards with keypad                     |
| AP-625K      | 401-220     | Keri cards with keypad and display         |
| AP-610H      | 401-300     | HID and Keri cards                         |
| AP-620H      | 401-310     | HID and Keri cards with keypad             |
| AP-625H      | 401-320     | HID and Keri cards with keypad and display |
| AP-710       | 401-400     | Smartcards                                 |
| AP-720       | 401-410     | Smartcards with keypad                     |
| AP-725       | 401-420     | Smartcards with keypad and display         |

## SPECIFICATIONS

|                              |   |
|------------------------------|---|
| Dimensions:                  | 5.5"L x 3.3"W x 1.55"H (14 x 8.3 x 3.9 cm)                                    |
| Color:                       | Black   |
| Operating Temperature Range: | 0 to +70° C (32 to +150° F)   |
| Humidity Range:              | 0 to 95%, non-condensing  |
| Power Requirements:          | +12 to +28Vdc @ 150mA   |
| Read Range:                  | AP-610/620/625/K/H up to 2.5" (6.35 cm)<br>AP-710/720/725 up to 2" (5.08 cm)* |

\*Range may vary depending on smart card used.

Note: Information contained in this document is subject to change without notice.



**3610 Birch Street**  
**Newport Beach, California 92660-2619 USA**  
**Phone 949-852-8178 • FAX 949-852-8172**  
**Http://www.apollo-security.com**  
**E-mail: apollo@apollo-security.com**