

Multimedia Terminal

OA1000

High-end Fingerprint & RFID Terminal

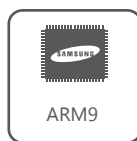


High Definition, Embedded WinCE OS

OA1000 is a genuine breakthrough by Anviz in biometric identification terminals, which fully integrate fingerprint identification, Smart Card approved by SCOSTA CL Cryptography, camera, Remove wireless communication, multimedia and embedded system technology. Utilizing 3.5 inch industrial TFT true color LCD, Samsung 400MHz Arm9 high speed processor and Windows CE operation system. OA1000 can be used in all applications where fingerprint identification is required especially in governments and larges-scale enterprises as well as places where high security level is a must. OA1000 is suitable for applications where finger verification is against data on smart card using master key from inbuilt SAM.



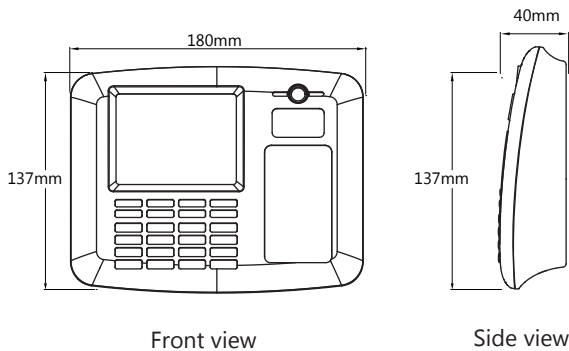
Fast fingerprint scan
in less than 0.5 second



Feature

- 3.5 inch industrial TFT LCD of high brightness screen
- Samsung high speed processor
- BioNANO core fingerprint algorithm with high speed and stability
- Embedded WinCE 5.0 operating system
- New generation fully sealed waterproof, dustproof and scratchproof Anviz optical fingerprint sensor
- Unbreakable and durable. Well accept all kinds of fingerprints
- Various employee authentication methods. Easy combination of fingerprint, password and card
- Customizable voice prompt and time attendance state. Display user picture, private and public message.
- 3 million pixel camera, speaker, microphone, 1 USB and 1 RJ45 interface
- Support TCP/IP, RS232/485, USB Flash Drive Host, inbuilt optional WIFI, GPRS and 4G SD card for data transfer
- Standard inbuilt EM card reader, optional Mifare card reader
- Optional SC011 or SC844 access controller for separate type secure access control system
- Support realtime record download, online monitor, remote access control, and server identification etc

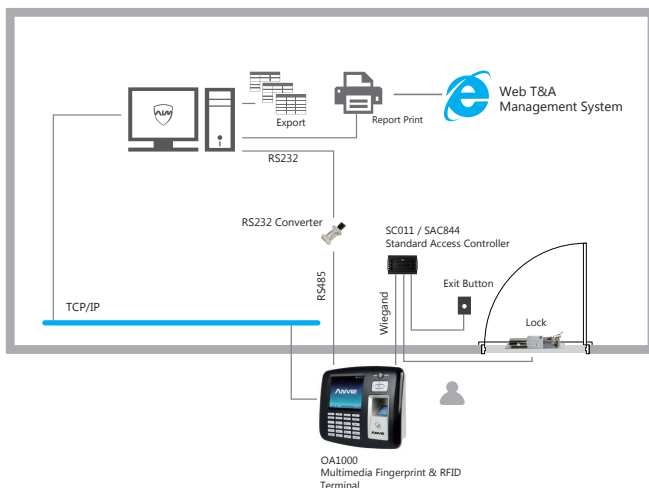
Outline Drawing



Parameter

Item	Description
Camera	3 Million Pixel Camera
Sensor	Anviz optical fingerprint sensor
Scan Area	22mm*18mm
Operating Distance	10cm
Resolution	500 DPI
LCD	3.5 Inch TFT Display
Fingerprint Capacity	5000
Log Capacity	100000
SAM Slot	1Inbuilt Self destructive SAM for storing master key used for decryption of data from smart card
Identification Mode	FP, Card, ID+FP, ID+PW, PW+Card, FP+Card
Identification Time	<0.5 Sec
FRR	0.001%
FAR	0.00001%
Communication Interface	TCP/IP, RS232, USB Flash Drive Host, Relay Out, Wiegand In&Out, Optional WiFi, GPRS
Fingerprint Image Display	Yes
User Photo Display	Yes
Workcode	6-digit work code
Short Message	50
Scheduled Bell	30
Self-service Record Inquiry	Yes
Groups & Time Schedules	15 Groups, 32 Time Zones
Relay	Dual Relays
Certificate	FCC, CE, ROHS
Tamper Alarms	Yes
Operating Voltage	DC 12V
Size	180(W)*137(H)*40(D)mm
Temperature	Preferred Operating: 0°C ~45°C Preferred Storage: 0°C ~ 50°C Preferred Humidity: 10 to 90%
Applicable Situation	Up to 1500/2500 Employees

Network Topology Illustration



AIM

Standalone Access Control Software

AIM SAC is standalone access control software which has been developed according to our market research and our customer feedback. AIM SAC not only can fulfil almost any existing Time and Attendance situation, it also calculate exact attendance reports by using it's flexible timetable filters and also have access control functions including time zone and group setting, access report etc.



ANVIZ® and BioNANO® are registered trademarks of Anviz Global and cannot be used without the permission of Anviz. Due to the consistent improving of the product, this specification and appearance is subject to change without notice.