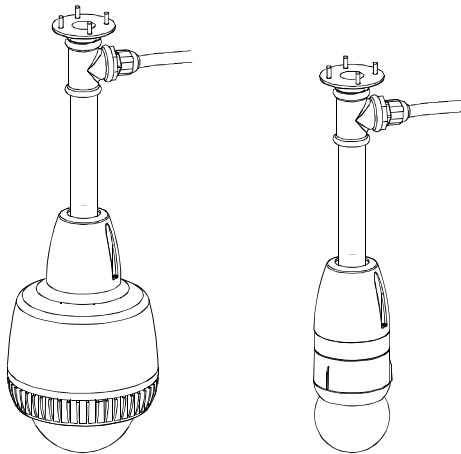


RHOPN Pendant Mount

For SpeedDome® Indoor/Outdoor Optima and Ultra Housing Mounts

Installation Guide



Parts Supplied

Support	1	0500-9641-01
Cover	1	0500-9588-01
O-Ring	1	2500-0022-07
Screw	2	0500-3494-01
Retainer	2	2852-0001-02
Gasket	1	0500-9801-01
Install Kit 0351-2119-01		
Anchor, M6, Wedge w/Hardware	4	2880-0108-01
Washer, Locking, M6	4	5846-0500-020
Tee, 1-1/4"	1	1417-0040-01
Nipple, 1-1/4"	1	1417-0041-01
Flange, 1-1/4"	1	1400-0069-01
Screw, M3, PPH	2	5801-1081-120
Wrench, Tamperproof, Torx	1	1400-0149-01
Bushing	1	1400-0047-01
Connector, Liquid-Tight	1	6010-0117-01
Tape, Teflon	1 roll	3200-0229-01

Parts to Be Purchased

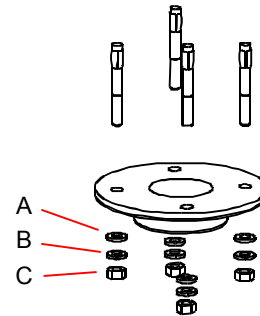
- 1-1/4" straight pipe, 3m (10') maximum length with 1-1/4" NPT tapered external threads at both ends
- 3/4-inch conduit

Tools Required

- Power Drill
- Hammer
- Pliers
- Socket Wrench Kit w/Extension (metric)

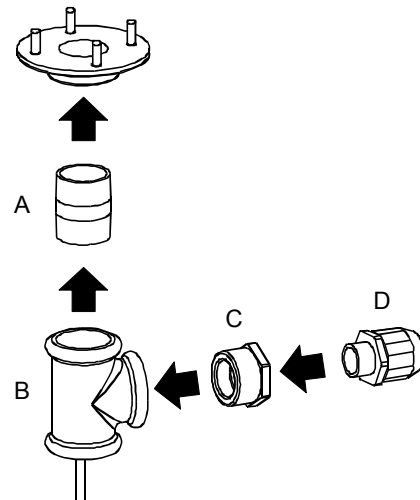
Procedure

1. If mounting to a steel I-beam, purchase I-Beam Mount RHIUIB. If mounting to a concrete ceiling, using the flange as a template, mark hole locations on ceiling, drill holes and install anchor hardware. Then attach anchor to ceiling using washers (A), lock washers (B), and nuts (C).



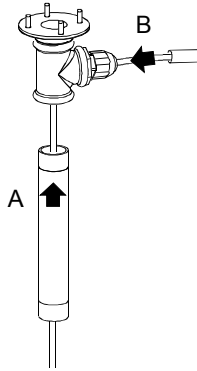
2. Cut four 30cm (12") lengths of Teflon tape. Holding the nipple (A) so that you are looking into its threaded end, tightly wrap a length of tape clockwise over threads so it conforms to the threads. Repeat for its other end. Also do this on outside threads of bushing (C) and liquid-tight connector (D).

Thread nipple (A) into the flange and the pipe tee (B) into the nipple, then bushing (C) into the tee and the liquid-tight connector (D) into the bushing.



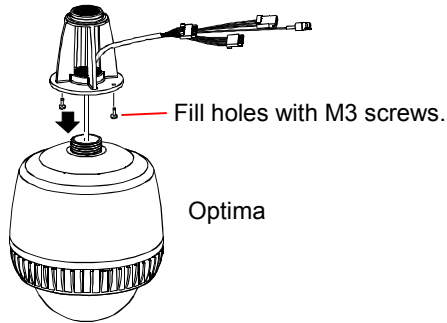
3. Cut two 30cm (12") lengths of Teflon tape. Holding straight pipe (A) so that you are looking into its threaded end, tightly wrap a length of tape clockwise over threads so it conforms to the threads. Repeat for the straight pipe's other end.

Insert straight pipe (A) into pipe tee, route cable (B) through tee and pipe, then connect conduit.

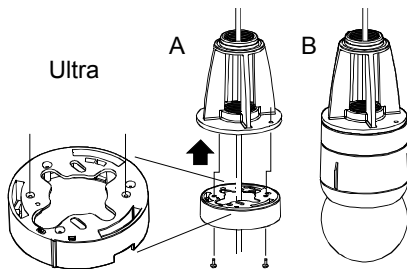


4. Perform A for Optima or B for Ultra.

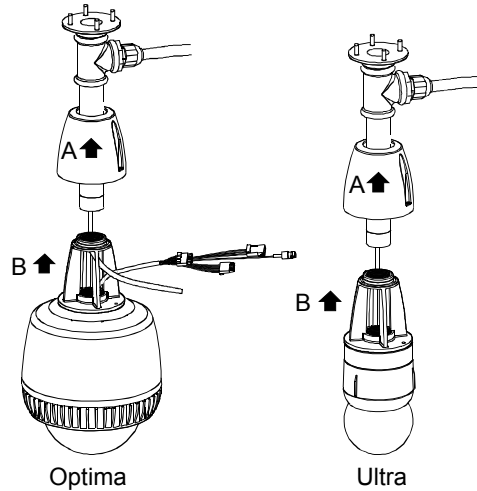
A. On ground, route pigtail cables from dome through the support. Then thread the support onto the dome. Use the two M3 screws provided to fill the two empty holes in the support.



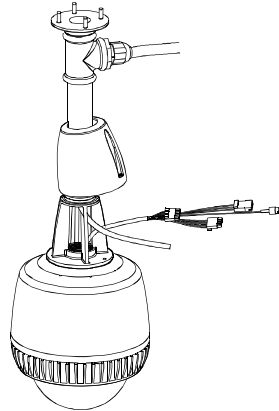
B. Run cable through the support and attach mounting base to the support using two screws from below (A). Then connect cable to dome and attach dome to the base following instructions supplied with the dome (B).



5. Place cover (A) over straight pipe, and thread dome support (B) to straight pipe.



6. **Optima Only (for Ultra, skip to Step 7).** Raise and angle the cover so it lays on the support. Then connect cables. For cable connections, see instruction card supplied with dome.



7. Lower the cover and secure it to the top of the dome.

