

Installation Guide

RHIULWM Arm Extension with Corner Feature

This procedure explains how to assemble and mount the dome's arm extension with corner feature to an inside corner, wall, or outside corner.



WARNING!

Ensure wall material, particularly sheet rock, can support the camera dome.

Tools Required

Level

Phillips-head screwdriver

Drill with 1/4" concrete bit

Ratchet wrench with 5.5mm, 7mm, and 11mm sockets.

Mounting Structure Required

Note: In the following procedure, letters in brackets [] refer to the following items:

a) Bracket, Wall Mount	1	0500-7844-01
b) Bracket, Extended Mount	1	0500-7846-01
c) Arm, Wall Mount	1	0500-7488-01
d) Cap, Pendent	1	0500-7719-01
e) Screw, Machine, M4x12, PHP	1	5801-2071-120
f) Nut, Locking, M3, SS	2	5826-0200-020
g) Anchor, Drywall, w/Screw	4	2880-0025-02
h) Anchor, Concrete, 1/4-20	4	2880-0079-01
i) Washer, Locking, 1/4"	4	2847-0101-10
j) Screw, Mach., HXHD, 1/4-20	4	2802-8501-54
k) Screw, STAP, AB, 4.8x32, PHP	4	5810-5091-120
l) Nut, Hex, M4, SS, Lock	4	5826-0300-020

Figure 1 shows the mounting assembly. Annotations refer to items in the install kit.

Figure 1. Mounting assembly

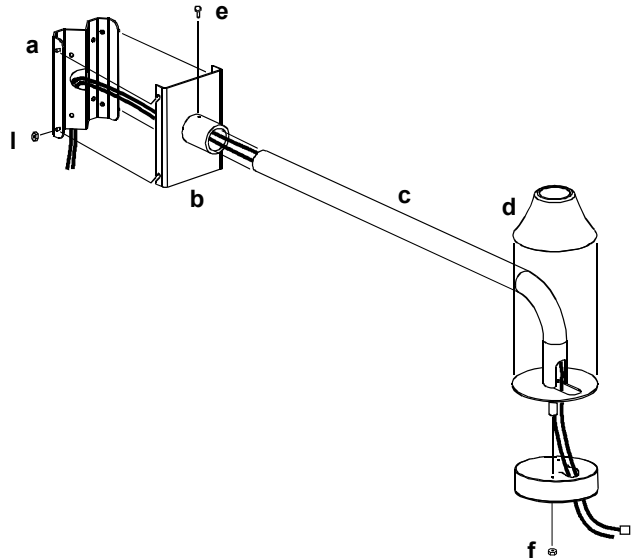
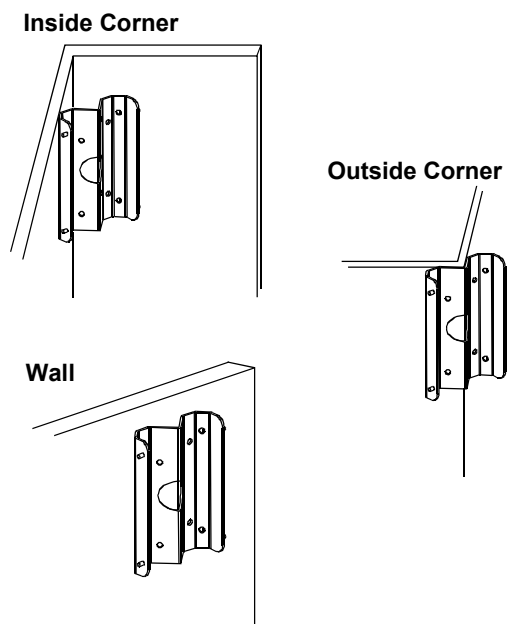


Figure 2 shows how the wall mount bracket [a] attaches to an inside corner, a wall, or an outside corner.

Figure 2. Wall mount bracket mounting methods



Procedure

Refer back to Figure 1 while performing this procedure:

1. Place wall mount bracket [a] on wall, level, and mark locations for four mounting holes (Figure 3).

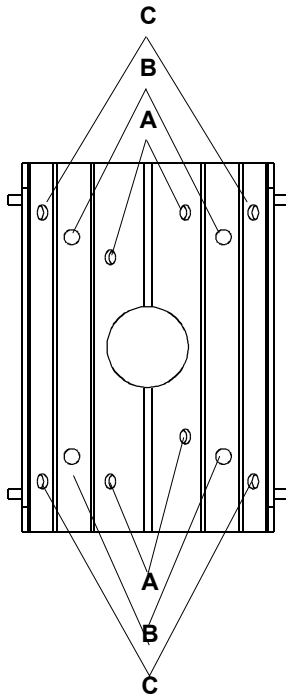
Use holes marked:

“A” for mounting to an outside corner,

“B” for mounting to a wall, or

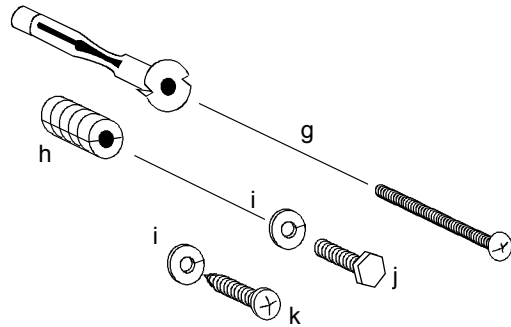
“C” for mounting to an inside corner.

Figure 3. Wall mount bracket mounting hole selection



2. Anchor by performing step a, b, or c (Figure 4).
 - a. *To sheet rock:* Use anchor hardware [g].
 - b. *To wood:* Use washer [i], and screw [k].
 - c. *To concrete:* Use anchor [h], washer [i], and screw [j].

Figure 4. Anchor hardware options



3. Cut arm [c] to length and slip cap [d] over it.
4. Hook extended mount bracket [b] to wall mount bracket [a] and secure using four hex nuts [l].
5. Insert the arm into extended mount bracket [b] and secure using one M4x12 screw [e].
6. Attach the base or top hat housing by performing step a or b.
 - a. *Direct base attachment.* Attach base to studs on flange of arm using two M3 locking nuts [f] Feed cables as shown.
 - b. *Top hat housing attachment.* See *Top Hat Housing with Skirt*, 8000-2573-07.