



Fixed Camera Mounts



The ADMC1360 Series of wall and ceiling camera mounts are available to meet your video surveillance needs. These camera mounts have sturdy, attractive designs and are especially suitable for indoor applications. Their size and unique designs are aesthetically pleasing and complement any type of facility that uses smaller-scale CCD cameras.

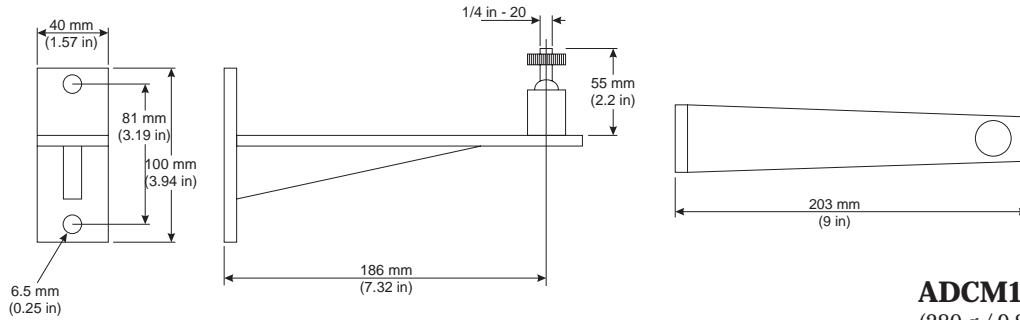
The units have been engineered for easy installation and adjustment, and are quality-built of rugged aluminum components. Models are available as fixed position mounts with adjustable swivel heads, and telescopic mounts with adjustable swivel heads.

FEATURES

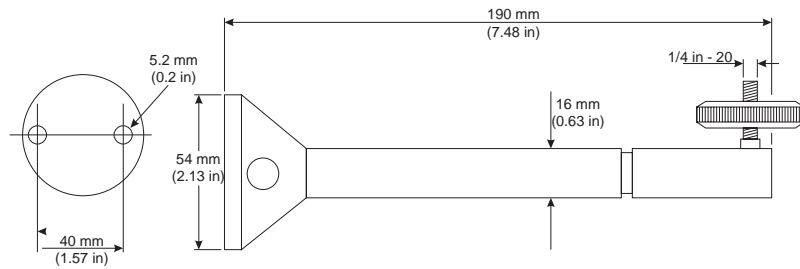
- Indoor mounts
- Light-duty, up to 2.2 kg (5.0 lbs)
- Adjustable swivel heads
- Beige or black enamel finish
- Wall and ceiling mounts
- Attractive styling

SPECIFICATIONS

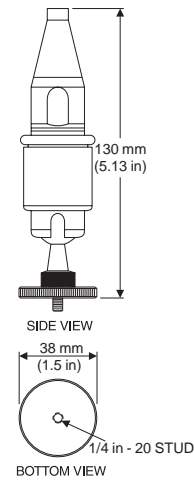
ADMC1361 Adjustable Ball Head Wall Mount (260 g / 9.20 oz)



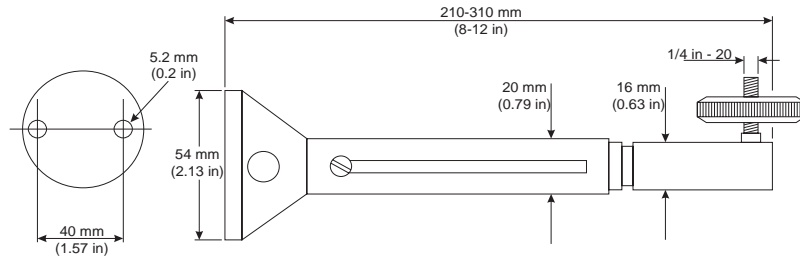
ADMC1362 Wall/Ceiling Mount (220 g / 7.70 oz)



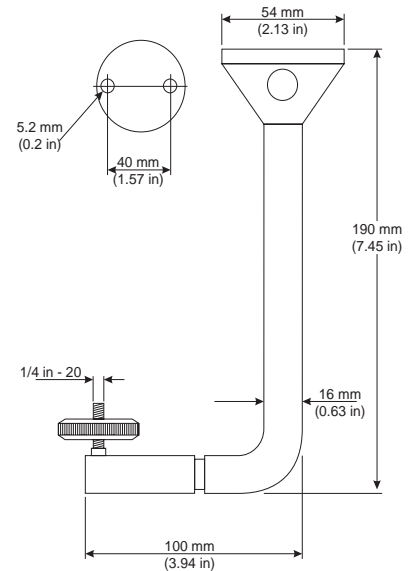
ADCM100T "T" Bar Mount (280 g / 9.80 oz)



ADMC1363 Telescopic Wall Mount (220 g / 7.70 oz)



ADMC1365 "J" Type Ceiling Mount (440 g / 15.50 oz)



ADMC1366 Wall/Ceiling Mount (270 g / 9.50 oz)

