



ADCH10

ENVIRONMENTAL CAMERA HOUSING



The ADCH10 is a high quality environmental housing designed for most CCD cameras and zoom lenses. This polycarbonate housing provides excellent protection for the installed camera. The 180° opening of the cover provides full and easy access to the camera and lens for trouble-free installation and servicing.

The camera platform can be securely attached in any position along the full length of the housing. This platform is constructed of a rigid non-conductive material which helps to eliminate common grounding problems.

In cold weather climates, or where condensation problems exist, the optional low current heater and blower automatically regulate heat in the housing to maintain a clear viewing window.

FEATURES

- Indoor/outdoor housing
- Space - efficient design accepts most cameras and lenses
- Cover opens 180° for easy camera access
- Tough, high-impact polymer construction
- IP4/NEMA-3R protection
- Automatic regulating heater available
- 24 VAC blower, optional
- 24 VAC heater, optional
- Tamper resistant
- Electrically isolated camera platform
- Multiple cable pass mounts available

AMERICAN DYNAMICS ENVIRONMENTAL CAMERA HOUSING

SPECIFICATIONS

Model Numbers

ADCH10	Environmental Camera Housing
ADCH10MT8	Environmental Camera Housing with 8 inch wall mount
ADCH10HB*	Environmental Camera Housing 24 VAC heater and blower installed
ADCH10HBMT8*	Environmental Camera Housing with wall mount and 24 VAC heater and blower installed
ADCH10H*	Environmental Camera Housing with heater
ADCH10B*	Environmental Camera Housing with blower

* This housing must be powered by a Class II source. This housing is to be used with a camera that meets Class II requirements.

Mechanical

Construction

Housing	Magnum® 941 Polymer
Viewing Window	4.8 mm (0.19 in) Lexan®
Color	Light gray
Finish	Epoxy
Dimensions (H x W x D)	163 x 146 x 348 mm (6.50 x 5.75 x 13.75 in)

Unit Weight

Without Sunshield	1.4 kg (3.0 lbs)
Shipping Weight	1.7 kg (3.8 lbs)
With Sunshield	1.9 kg (4.4 lbs)
Cable Entry	Via cable pass mount

Maximum Camera/

Lens Length 253 mm (10 in)

Heater

Type	Thermostatically controlled pad heater
Supply Voltage	24 VAC
Power	0.63 A
Weight68 g (0.15 lbs)

Environmental

Weatherproof Standard	IP4 (NEMA-3R)
Operating Temperature	-23° to 43° C (-10° to 110° F) with heater and blower 85% (non-condensing)

Accessories

ADCH10SS	Sunshield
AD1314-H24	24 VAC heater
AD1314-B24	24 VAC blower

Recommended Housing Mounts

ADCHMTCEIL	Ceiling mount 9.6 kg (20 lbs) capacity
ADCHMTWALL	Wall mount 9.6 kg (20 lbs) capacity
ADCHMTPOLE	Pole mount 9.6 kg (20 lbs) capacity
ADCHMTCRNR	Corner mount 9.6 kg (20 lbs) capacity
ADCHMTPED	Pedestal mount 9.6 kg (20 lbs) capacity

Regulatory

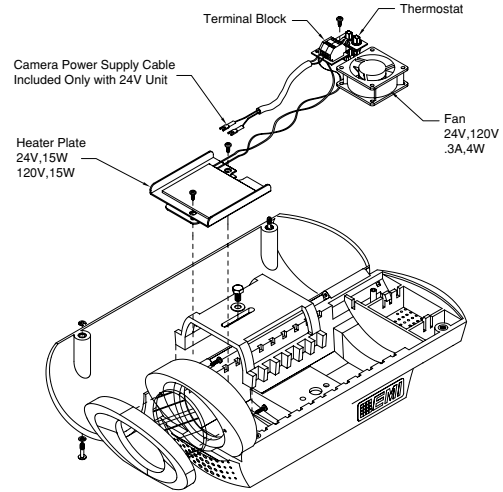
SafetyUL2044



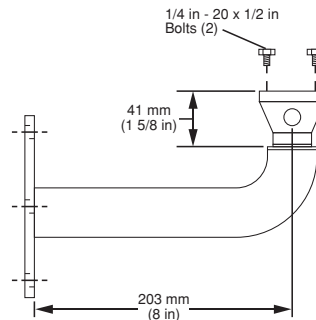
Housing with Sunshield



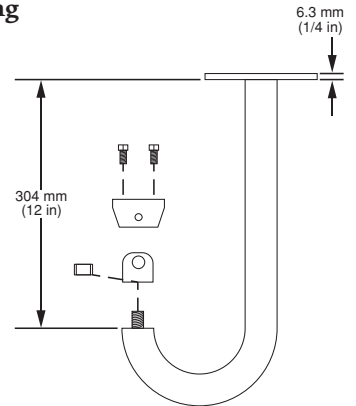
Housing in open position



Housing

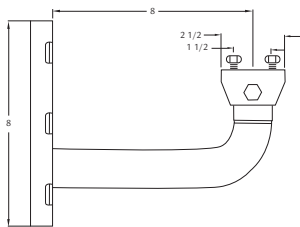


Wall Mount Side View
ADCHMTWALL

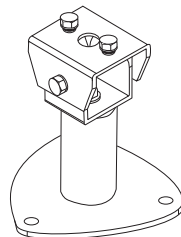


Ceiling Mount Side View
ADCHMTCEIL

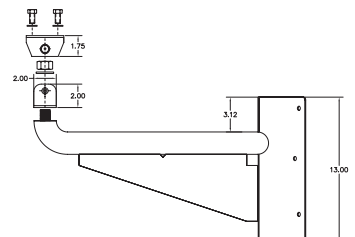
Mounts



Pole Mount Side View
ADCHMTPOLE



Pedestal Mount Side View
ADCHMTPED



Corner Mount Side View
ADCHMTCRNR