



JAVELIN S870 PROXIMITY CARD READER

The Javelin S870 is a proximity card reader without keypad for integrated access control. The attractive, contemporary black and silver finish is designed to complement any office or building environment.

The Javelin S870 reads 125KHz HID proximity cards.

The Javelin S870 is designed for use with the Symmetry multiNODE range of controllers and is compatible with all versions of Symmetry software.

The Javelin S870 uses secure, bi-directional, pseudo-random supervised MCLP communications to the multiNODE controller. Both the card reader and cable are supervised, and an alarm will be generated if the card reader is tampered with or communications lost.

Wiegand communication is also supported between the card reader and controller.

KEY FEATURES

- Proximity access control card reader for a wide range of security applications
- Designed to fit most standard electrical back boxes
- Maximum read range of 4" (102mm) dependent on card
- Reads 125KHz HID proximity cards
- Secure, bi-directional, Pseudo-Random supervised MCLP communications
- Wiegand output
- Integrated Door Pre-held warning buzzer
- Multi-tone audio sounder for access granted or denied
- LED feedback for verification of card accepted or rejected
- Three color LED alert status indication

SPECIFICATIONS

Model Types

- Javelin S870 - HID 125KHz proximity card reader with integrated keypad

Communicating Distances

- Symmetry multiNODE controllers to Symmetry S870 (MCLP) = 3000ft/1000m
- Symmetry multiNODE controllers to Symmetry S870 (Wiegand) = 500ft/150m

Dimensions inches (mm)

- Width = 3.5" (85mm)
- Height = 4.4" (113mm)
- Depth = 0.9" (23mm)

Operating Environment

- -4°F to +131°F (-20°C to +55°C)
- 15% to 90% Humidity, non-condensing

Power Requirements

- Nominal 12VDC (9-14V)
- Maximum current consumption 120mA

APPROVALS

Radio regulatory approvals

- FCC CFR47 Part 15C
- EN 302291

EMC Type Testing

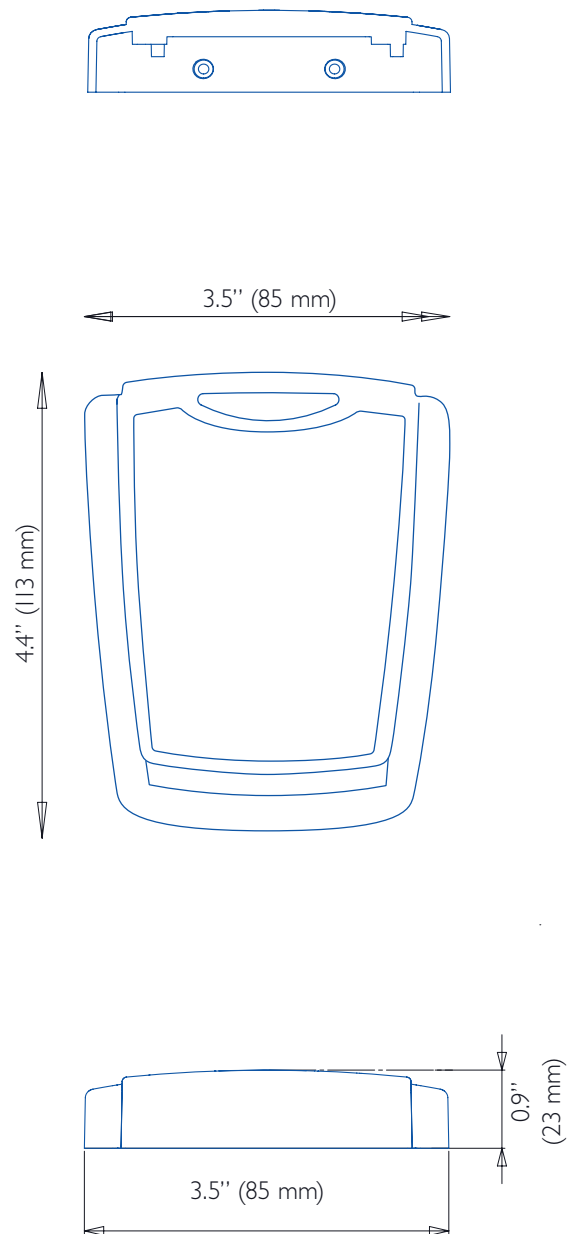
- EN 301489

Access control product testing

- IP44: R & TTE Directive 1999/5/E
- UL 294 (pending)
- UL 1076 (pending)

PURCHASING INFORMATION

- 870 – Card only proximity reader



AMAG Technology

sales@amag.com

www.amag.com