



SYMMETRY™

EN-7542HD NETWORK CAMERA

The Symmetry range of advanced network cameras provides compact design, coupled with full HD technology and H.264 video compression to meet all your video surveillance needs.

The Symmetry EN-7542HD is a high speed indoor dome camera for indoor applications. With up to 20x optical and 8x digital lens the camera is ideally suited to recording incidents that occur at high speed or that are unseen by eye. Onboard support for Power over Ethernet ensures quick and easy installation coupled with increased reliability. Efficient operation allows ease of monitoring, management and maintenance, reducing the demand on time and resources.

This high performance camera comes with inbuilt advanced motion detection and optional video content analytics encompassing 3D behaviour detection including loitering, entering / exiting, appear / disappear and tailgating filters. Motion detection features include, anti-tampering, shake cancellation and real-time event tracking.

Using Symmetry network cameras in combination with market leading Video Management Software delivers a high performance seamless video solution. Cost savings are also introduced as multiple or complex sites can be monitored from one central location. The Symmetry camera range is also operational with other leading Video Management software applications.

KEY FEATURES

- High Definition Indoor Network Pan/ Tilt/ Zoom Dome Camera
- Up to Optical 20x, Digital 8x Zoom
- Full Frame at HD 1080p
- Video Compression: H.264
- Day & Night (IR Cut Filter), DSS
- ONVIF support
- Burnt-in Text: On-screen text overlay
- Embedded Video Content Analytics
- Stealth Spin® (World's Most Silent Speed Dome)
- 0.002° Dome System Accuracy
- Controlling Pan/ Tilt Speed While Zooming

PURCHASING INFORMATION

- EN-7542HD Standard Model

SPECIFICATIONS

Camera Module

- Image Sensor: 1/3" CMOS 2M Pixel
- Number of effective pixels: 1920 X 1080
- Lens:
 - Optical: 20x zoom: F=1.6~F2.9, f=4.45mm to 89.0mm
 - Digital: 8x
- Day & Night: Auto / Day / Night
- Digital Shutter: 1/1 to 1/10,000 s, Total 22 steps
- Minimum Illumination: Color: 1.5Lux(50 IRE) / 0.02Lux (Sens-up)
- B/W : 0.1Lux(50 IRE) / 0.001Lux(Sens-up)
- Luminance S/N ratio: More than 50dB
- BLC: On (possible to designate zone) / Off
- WDR: Support
- Power: 24V AC
- PoE+ (802.3at)
- Power Consumption (Approx.) Max. 21W

Pan / Tilt

- Pan Rotation Angle: 360° Endless Rotation
- Pan Speed:
 - Manual: 0.05° ~ 112° / sec (64 steps)
 - Preset: Max 500° / sec, Min 0.05° / sec
- Tilt Rotation Angle: -5° ~ 185°
- Tilt Speed:
 - Manual: 0.05~ 112° / sec (64 steps)
 - Preset: Max 500° /sec, Min 0.05° / sec
- System Accuracy: Max. 0.1°(Accuracy) , 0.002° (resolution)

Dome

- Presets: 255 positions with 15 character labels available for each position with different speed steps
- Guard Tour: Max 6 Groups (Each one consisting of up to 64 steps)
- Auto Pan: Programmable Auto Scan
- Pattern: 8 Programmable Patterns (Total 600 events)*
- Privacy Zone: 8
- Auto Flip: On / OFF
- On Screen Display: Sequence, ID, Time, PTZ Position, Preset Name

Video

- Compression Format: H.264, MJPEG*
- Number of Streams: Dual Stream*, Configurable
- Resolution: 1920x1080, 1280x720, 800x450, 480x270, 320x180
- FPS: 30 fps @1080p (analytics reduces max. FPS / resolution)
- Motion Detection: Support (DSP)
- Burnt-in Text (Digital): Support (DSP)
- Output: 1 Loop Out (BNC Connector)

Audio

- Input: 1 channel Output: 1 channel*
- Compression Format: G.711

*Not supported by Symmetry

Mechanical

- Material: Indoor: ABS
- Color: Ivory
- Dimension: 180(d) x 240(H) mm
- Weight (Approx.): 2.1kg (4.64 lbs)

Advanced Motion Detection (Included as Standard)

- Advanced Tracking Algorithm, Low False Alarm Rate
- Easy to Use: Intuitive Web Browser Interface
- Detection Zones: Multi-segment Polygons and Lines
- On-screen Display: Of Tracking Data and Events
- Camera Shake Cancellation
- Tamper Detection: Detect camera tampering

Video Content Analytics (Option)

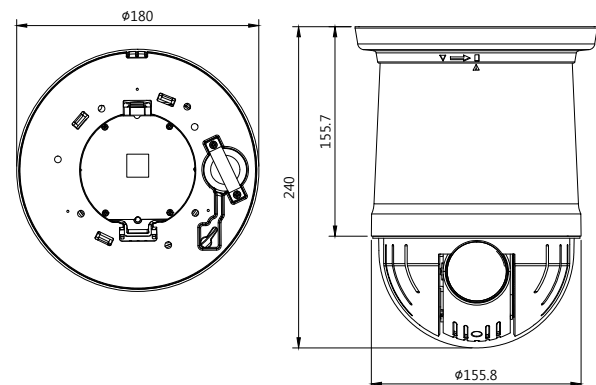
- Detection Behavior: Direction, Stopping, Loitering, Entering, Exiting, Appear, and Disappear Filters, Tailgating* Detection
- 3D Behavior: Perspective Corrected Size and Speed Filters
- Statistics: Counting Functions and Other Statistics*
- Meta Data: Plain XML Format*

Analytics are powered by VCA Technology

Environmental

- Operating Temperature:
 - 24V AC : 0°C ~ 50°C (32°F ~ 122°F)
 - PoE+ : 0°C ~ 50°C (32°F ~ 122°F)
- Operating Humidity: Up to 85% RM (Non-condensing)
- Certification: FCC / CE, ICC

Dimension: (mm)



AMAG Technology

www.amag.com