

SYMMETRY™ EN-7510HD NETWORK CAMERA

The Symmetry range of advanced network cameras provides compact design, coupled with HD technology and H.264 video compression to meet all your video surveillance needs.

The Symmetry EN-7510HD is a cost effective indoor day/night fixed cube camera with PIR sensor. The compact design makes it ideal for discrete surveillance and monitoring of small spaces. Efficient operation allows ease of monitoring, management and maintenance, reducing the demand on time and resources. The EN-7510HD camera can operate wirelessly via its built-in WiFi module.

This high performance camera comes with inbuilt advanced motion detection and optional video content analytics encompassing 3D behavior detection including loitering, entering / exiting, appear / disappear and tailgating filters. Motion detection features include, antitampering, shake cancellation and real-time event tracking.

Using Symmetry network cameras in combination with market leading Video Management Software delivers a high performance seamless video solution. Cost savings are also introduced as multiple or complex sites can be monitored from one central location. The Symmetry camera range is also operational with other leading Video Management software applications.

KEY FEATURES

- High Definition indoor, day/night, PIR cube camera
- Wireless Communication
- Full Frame at HD720p
- Video Compression: H.264
- Burnt-in Text, Video Motion Detection Support
- microSD Memory Support
- Remote Firmware Upgrade over Network
- PIR Sensor
- ONVIF Support
- Embedded Video Analytics

SPECIFICATIONS

Camera Module

- Image Sensor: 1/4" 720p CMOS
- Effective Pixels: 1280 x 720
- Scanning System: Progressive scanning
- AGC Control: Auto
- Minimum Illumination: Color: 0.8 Lux (50IRE), 0.1 LUX (DSS ON)
- Lens : 2.7mm F2.0 Megapixel
- Day & Night: software
- Smart Edge Enhance: Supported (Auto adjust the sharpness by Lux)
- 2D-DNR: Supported (1 ~ 16)
- White Balance: ATW / Manual / Push
- BLC: On(possible to designate zone) / Off
- Iris: DC Auto Iris

Video

- Compression Format: H.264, MJPEG*
- Number of Streams: Dual Stream*, Configurable
- Resolution: 1280x720, 800x450, 480x270, 320x180
- FPS: 30fps@720p (enabling analytics reduces maximum FPS / resolution)
- Motion Detection: Built-in
- Burnt-in Text: Video stream overlay text

Audio

- Input: 1 built in Mic. Output: 1 built in speaker*
- Compression Format: G.711

Function

- Digital Input: 1
- Digital Output: 1*
- Network: 10 / 100 Base-T
- Protocol: TCP/IP, UDP/IP, HTTP, RTSP, RTCP, RTP/UDP, RTP/TCP, SNMP, mDNS, UPnP, SMTP, IGMP, DHCP, DDNS, SSL v2/v3, IEEE 802.1X, SSH, SNMP v2/v3
- WiFi: Built-in module (11b/g/n)
- Memory Card Slot: Built-in Micro SD slot (SD card not included)
- Recommend Class 4 and higher for HD recordings

Electrical

- Power Source: DC 12V (Adapter Included)
- Power Consumption: 400mA @ DC 12V

Environmental

- Operating Temperature: Operating Range DC12V : 0°C ~ 40°C (32°F ~ 104°F)
- Operating Humidity: Up to 85% RH, Non-condensing

Mechanical

- Material: Plastic (ABS)
- Color: Ivory
- Dimension: 64(w) x 107.5(h) x 40(d)
- Weight: 142g (device only)

*Not supported by Symmetry

Advanced Motion Detection (Included as Standard)

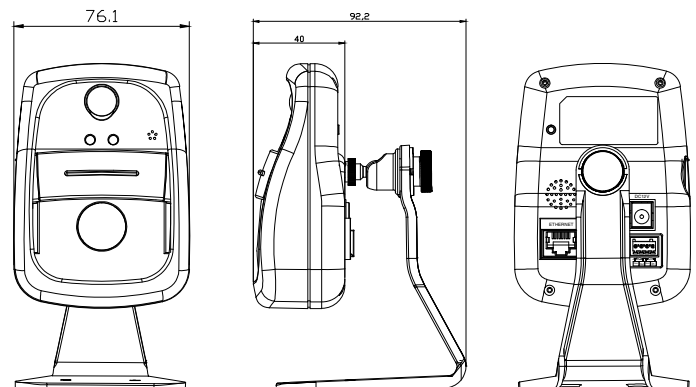
- High Performance: Advanced Tracking Algorithm, Low False Alarm Rate
- Easy to Use: Intuitive Web Browser Interface
- Detection Zones: Multi-segment Polygons and Lines
- On-screen Display: Real-time Display of Tracking Data and Events
- Camera Shake Cancellation: Improve the performance with cameras that are prone to shake
- Tamper Detection: Detect camera tampering

Video Content Analysis (Option)

- Detection Behavior: Direction, Stopping, Loitering, Entering, Exiting, Appear, and Disappear Filters, Tailgating* Detection
- 3D Behavior: Perspective Corrected Size and Speed Filters
- Statistics: Counting Functions and Other Statistics
- Meta Data: Plain XML Format*

Analytics are powered by VCA Technology

Dimension: (mm)



AMAG Technology

sales@amag.com

www.amag.com