

# electric mini bolt

EB501



The Alpro EB501 Electric Mini Bolt allows for remote access and exit control of most timber, metal and UPVC Doors. Suitable for sliding or swing, single and double action operations. It can be fitted in the frame or in the door and is also suitable for narrow profile joinery cabinets and showcases

## Function

Fail Open/Power to Lock

## Construction

Stainless steel bolt (12mm diameter and throw) and strike plate provide secure locking.

## Electrical Features

Voltage 12v DC $\pm$ 15%  
 Activating current 700mA  
 Holding current 100mA  
 Continuously rated solenoid  
 Fully protected against transient & reverse polarity

## Versatile Installation

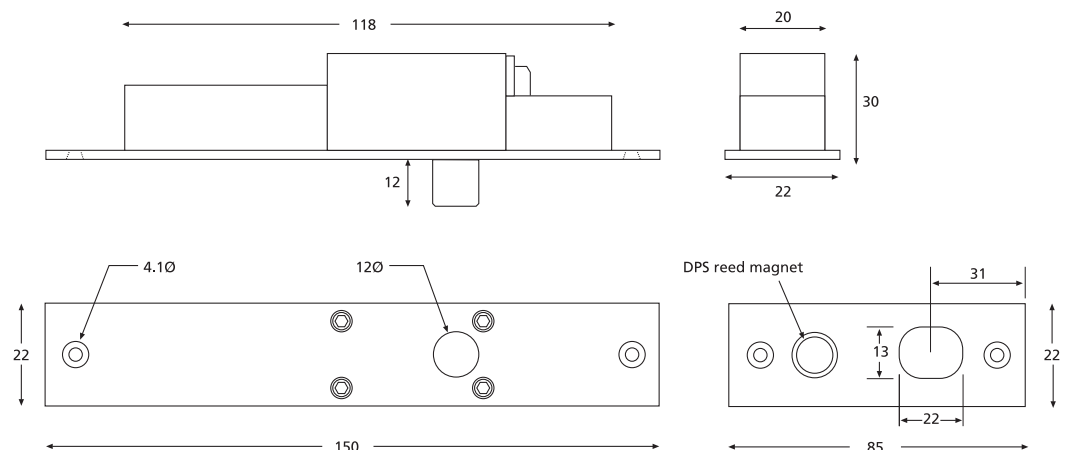
Designed to provide concealed high security locking on any single or double action, hinged or sliding door in timber or metal for vertical or horizontal mounting. Also suitable for cabinets and showcases

## Monitoring

Door position switch.

## Auto Relock Function

Can be set for 0,3,6 or 9 seconds



## Ordering Information/Specifications

DESCRIPTION	FUNCTION	CODE
Electric Mini Bolt	Fail Open- Power to Lock Monitored	EB501-22