

# electric bolt

## EB1001

The Alpro EB1001 Electric Bolt allows for remote access and exit control of most timber, metal and UPVC Doors. It is suitable for sliding or swing, single and double action operations. It can be fitted in the frame or in the door and comes with plug in LED Bolt indicator as standard.

### Function

Fail Open/Power to Lock

### Construction

Stainless steel bolt (15mm diameter and throw) and strike plate provide secure locking. A stainless steel dress plate is provided to cover the brushed aluminium faceplate.

### Electrical Features

Voltage 12v DC $\pm$ 15%  
Activating current 1000mA  
Holding current 250mA  
Continuously rated solenoid  
Fully protected against transient & reverse polarity

### Monitoring

Door position switch  
Bolt position indicator

### Versatile Installation

Designed to provide concealed high security locking on any single or double action, hinged or sliding door in timber or metal for vertical or horizontal mounting.

### Auto Relock Function

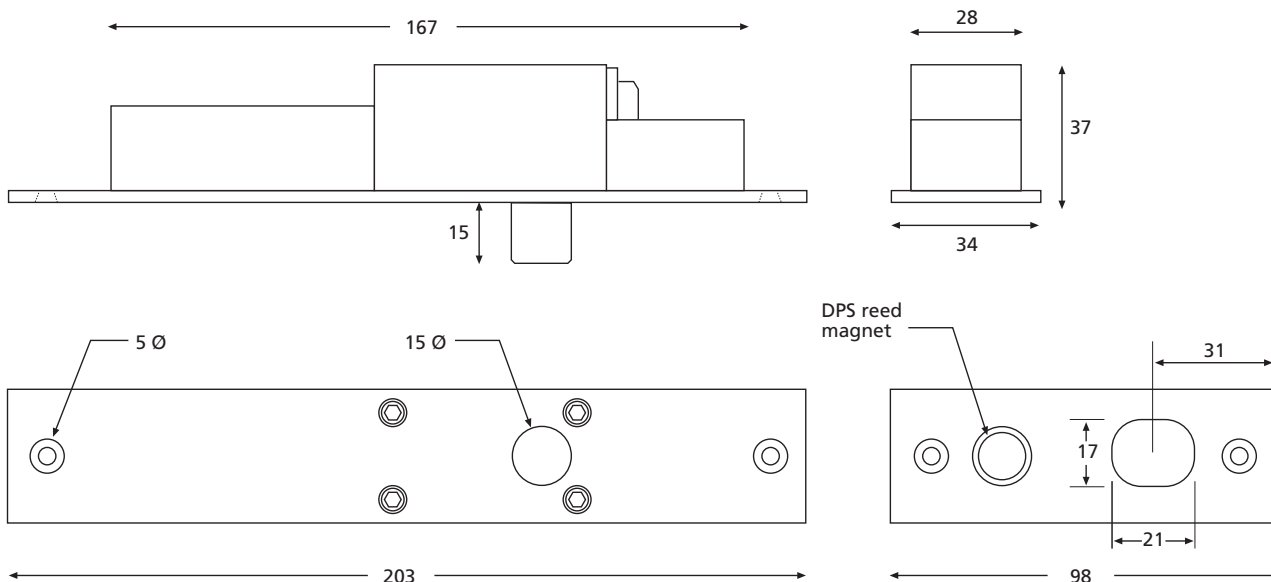
Can be set for 0,3,6 or 9 seconds

### Accessories

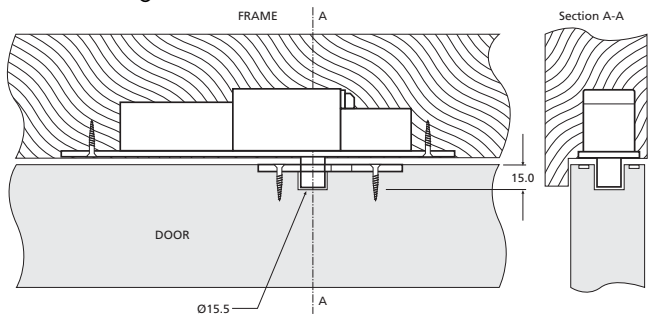
Surface mounting kit in chromated steel



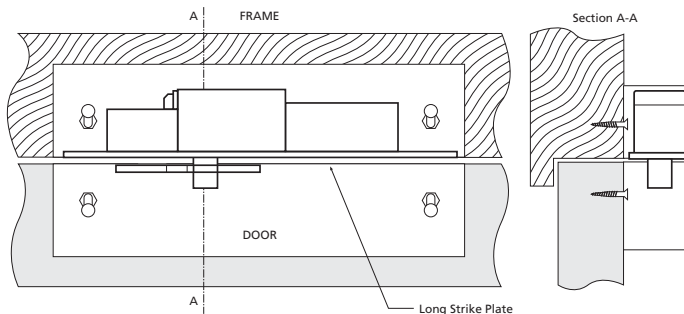
DESCRIPTION	FUNCTION	CODE
Electric bolt 12v DC	Fail Open - Power to Lock	<b>EB1001/34MM/R1</b>
ACCESSORIES	FINISH	CODE
Surface Mounting Kit 38mm faceplate only 38mm strike plate only	Chromated steel	<b>EB1001/SMHKIT 34MM</b> <b>EB1001/FP38</b> <b>EB1001/SP38</b>



Normal fixing



Surface mount kit - chromated steel



Housing dimensions 228mm(L) x 38mm(W) x 42mm(D)