

deadlocking bolt

Slimline - DB25

The Alpro DB25 incorporates the latest design innovations to be applied to the manufacture of a transverse action Deadlocking Solenoid Bolt.

This Ultra-slim design enables fixing into very narrow sections whilst an advanced microprocessor module provides power reduction allowing for continuous operation without heat generation as well as automatic voltage regulation, dual monitoring and access control features.

High Physical Security

Holding force 1,000kg - automatic deadlocking
Bolt throw 16mm

Robust Construction

All stainless steel bolt of 12.7mm diameter, linkages and springs. 3mm stainless steel faceplate and strike plates with fully enclosed mechanism.

Versatile Installation

Designed to provide concealed high security locking on any single or double action, hinged or sliding door in timber or metal for vertical or horizontal mounting.

Slimline Dimensions

210mm(L) x 25mm(W) x 42mm(D)

Back box 164mm(L) x 22mm(W) x 39mm(D)

Faceplates

Radius

Multiple Voltage Input

Any voltage from 12v DC -10% to 24v DC +15%.
Complete with built in transient and reverse polarity protection and continuously rated solenoid.

Low Current Consumption

| Volts | Current - Activate | Current - Hold (after 200ms) |
|--------|--------------------|---------------------------------|
| 12v DC | 1100mA | 210mA |
| 24v DC | 1000mA | 90mA |

Dual Monitoring

Bolt and Door position switches



DB38 - 38mm deadlocking bolt is also available

Built-in Access Control Module

Automatic unlock period - 8 seconds
Multiple auto relock function - PTL
Multiple unlock function - PTO

Accessories

Stainless steel surface mount kit

Approvals

CE - BS EN 50081-1 and BS EN 50082-1

Built-in Access Control Module

Automatic unlock period - a fixed 8 second period operates once the bolt is signalled to unlock. This enables traffic exiting 8 seconds in which to open the door before it automatically relocks. See Anti-Tailgate.

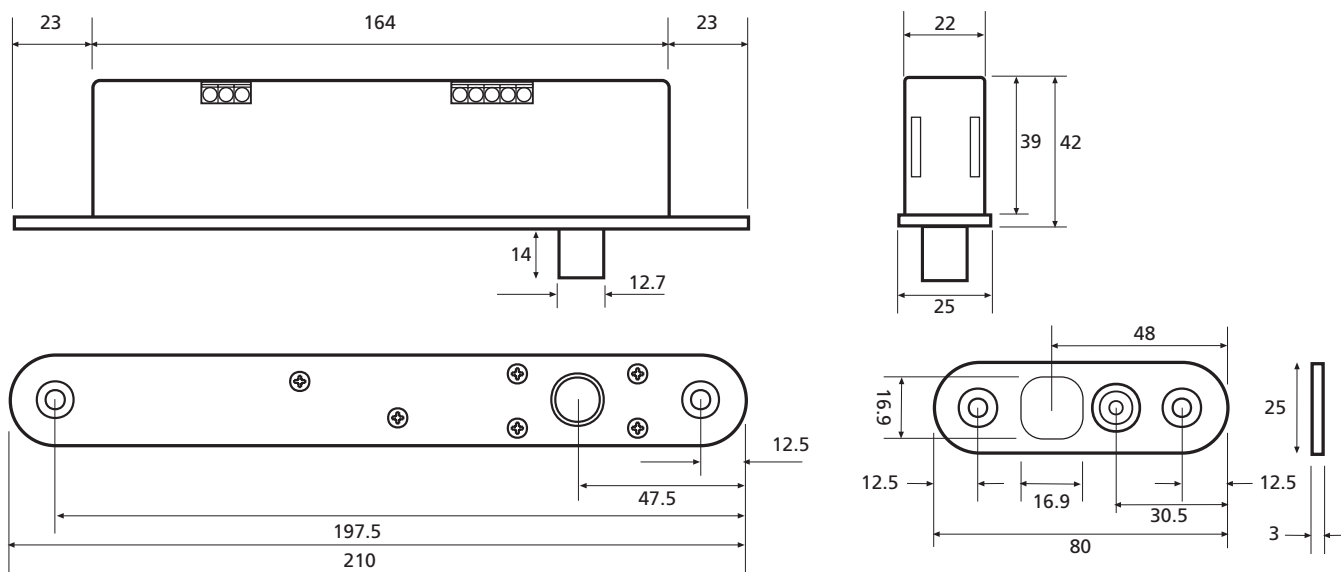
Multiple auto relock function - when relocking the bolt makes 8 locking attempts over 16 seconds.

Change in the Bolt Position Switch status indicates that the door has been locked. Fail open models only.

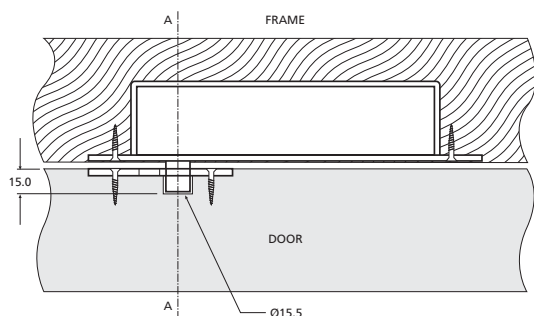
Multiple unlock - in fail secure mode - 5 attempts to unlock door at 1.6 second intervals.

Anti-Tailgate - once the door has been pushed open and closed during the 8 second unlock period, the bolt will immediately relock.

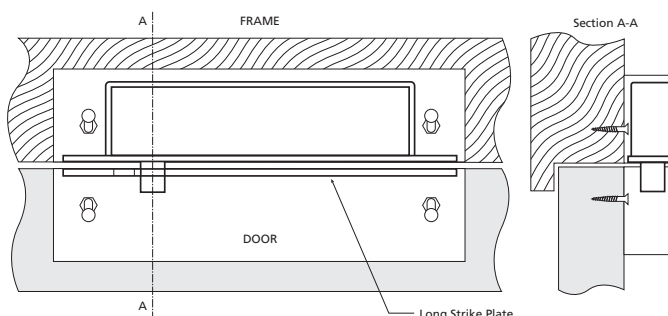
| DESCRIPTION | FUNCTION | CODE | FUNCTION | CODE |
|---|---------------------------|---------------------|-----------------------------|-------------------|
| Slimline Solenoid Bolt 12/24v DC | Fail Open - Power to Lock | DB25 PTLOCK | Fail Secure - Power to Open | DB25 PTOPE |
| Solenoid Bolt 38mm faceplate 12/24v DC | Fail Open - Power to Lock | DB38 PTLOCK | Fail Secure - Power to Open | DB38 PTOPE |
| ACCESSORIES | FINISH | CODE | | |
| Surface Mounting Kit | Stainless steel | DB25/SMH-KIT | | |



Normal fixing



Surface mount kit - stainless steel



Housing dimensions 225mm(L) x 27.4mm(W) x 46.5mm(D)

deadlocking bolt

Slimline - Key Override DB25KO

The Alpro DB25KO key override model offers the same functionality as the standard DB25 with provision for a Euro profile cylinder as a means of mechanical override. The ultra-slim design of the DB25KO enables fixing into very narrow sections. An advanced microprocessor module provides power reduction allowing continuous operation without heat generation as well as automatic voltage regulation, dual monitoring and access control features.

High Physical Security

Holding force 1,000kg - automatic deadlocking
Bolt throw 16mm

Robust Construction

All stainless steel bolt of 12.7mm diameter, linkages and springs. 3mm stainless steel faceplate and strike plates with fully enclosed mechanism.

Maintained Key Override

Using standard Euro profile cylinder case pierced both sides for operation either side.

Versatile Installation

Designed to provide concealed high security locking on any single or double action, hinged or sliding door in timber or metal for vertical or horizontal mounting.

Slimline Dimensions

280mm(L) x 25mm(W) x 42mm(D)

Back box 230mm(L) x 22mm(W) x 42mm(D)

Faceplates

Radius

Multiple Voltage Input

Any voltage from 12v DC -10% to 24v DC +15%.

Complete with built in transient and reverse polarity protection and continuously rated solenoid.

Low Current Consumption

| Volts | Current - Activate | Current - Hold (after 200ms) |
|--------|--------------------|---------------------------------|
| 12v DC | 1100mA | 210mA |
| 24v DC | 1000mA | 90mA |



Triple Monitoring

Bolt, Door and Key position switches

Built-in Access Control Module

Automatic unlock period - 8 seconds

Multiple auto relock function - PTL - 8 times

Multiple unlock function - PTO - 5 times

Accessories

Stainless steel surface mount kit

Approvals

CE - BS EN 50081-1 and BS EN 50082-1

Built-in Access Control Module

Automatic unlock period - a fixed 8 second period operates once the bolt is signalled to unlock. This enables traffic exiting 8 seconds in which to open the door before it automatically relocks. See Anti-Tailgate.

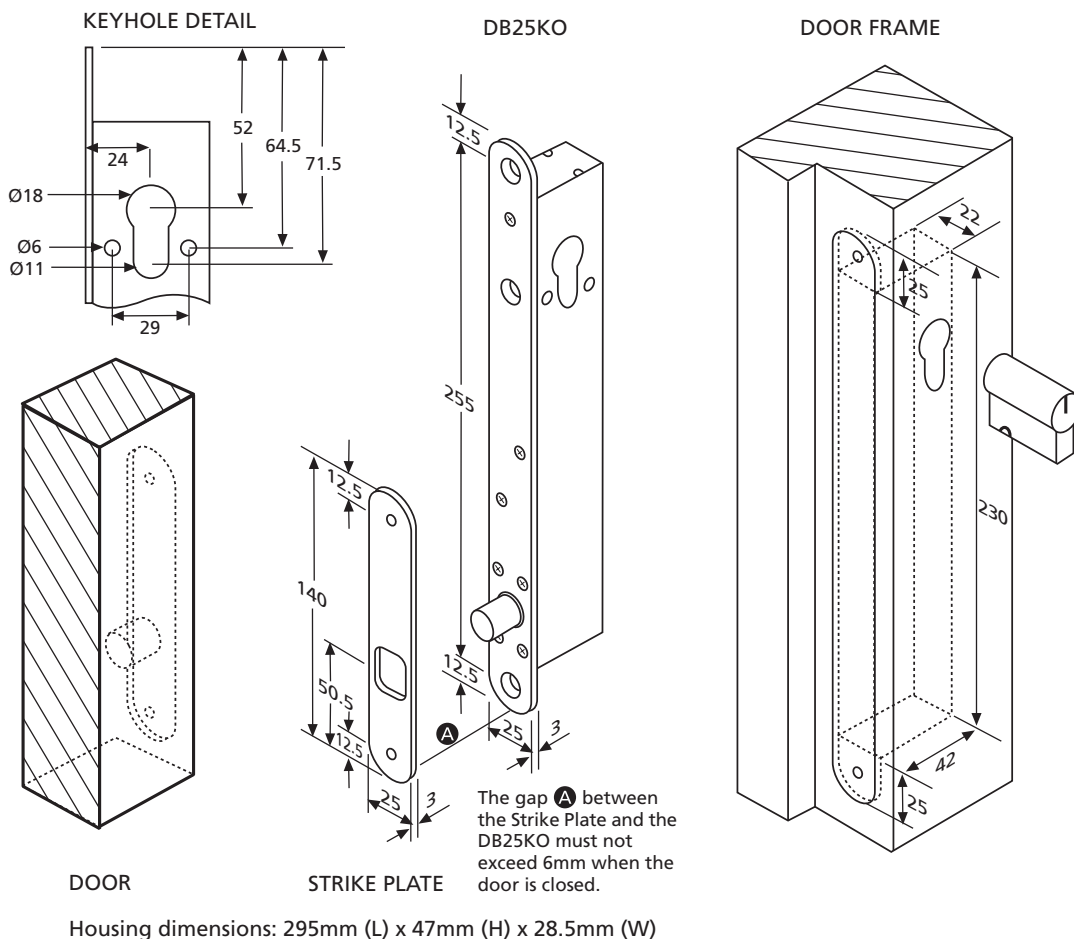
Multiple auto relock function - when relocking the bolt makes 8 locking attempts over 16 seconds.

Change in the Bolt Position Switch status indicates that the door has been locked. Fail open models only.

Multiple unlock - in fail secure mode - 5 attempts to unlock door at 1.6 second intervals.

Anti-Tailgate - once the door has been pushed open and closed during the 8 second unlock period, the bolt will immediately relock.

| DESCRIPTION | FUNCTION | CODE |
|---|-----------------------------|--|
| 12/24v DC | Fail Open - Power to Lock | DB25KO PTLOCK |
| 12/24v DC | Fail Secure - Power to Open | DB25KO PTOPEM |
| ACCESSORIES | | CODE |
| Surface Mounting Kit - Surface Mount Housing/Surface Mount Strike Box/ Long Strike Plate (stainless steel) | | DB25KO/SMH-KIT |
| Extras for glass applications - Kit comprises 2 stainless steel Dress Plates Long Strike Plate - Replacement | | DB25KO/SMK-DP DB25KO/LONG |
| Half Euro Profile Cylinder Keyed Alike 40mm | | 5224 |
| Half Euro Profile Cylinder Keyed Differ 40mm | | 5222 |



deadlocking latching bolt

DB25L

The Alpro DB25L incorporates a unique latching device that is a world first in electronic deadbolts. Door alignment problems vanish with the innovative design which ensures the correct positioning of the lock and strike every time. Incorporating access control functions, two monitors and the highest quality componentry.

Dual Action

Magnetic latch on strike plate to capture the door Deadbolt to secure the door

High Physical Security

Holding force 1,000kg - automatic deadlocking
Bolt throw 16mm

Versatile Installation

Designed to provide concealed high security locking on any single or double action, hinged or sliding door in timber or metal for vertical or horizontal mounting.

Slimline Dimensions

210mm(L) x 25mm(W) x 42mm(D)
Back box 164mm(L) x 22mm(W) x 39mm(D)

Faceplates

Radius

Multiple Voltage Input

Any voltage from 12v DC -10% to 24v DC +15%.
Complete with built in transient and reverse polarity protection and continuously rated solenoid.

Low Current Consumption

| Volts | Current - Activate | Current - Hold (after 200ms) |
|--------|--------------------|---------------------------------|
| 12v DC | 1100mA | 160mA |
| 24v DC | 1000mA | 90mA |

Dual Monitoring

Bolt and Door position switches

Built-in Access Control Module

Automatic unlock period - 8 seconds
Multiple auto relock function - PTL
Multiple unlock function - PTO

Accessories

Stainless steel surface mounting kit

Approvals

CE - BS EN 50081-1 and BS EN 50082-1



Built-in Access Control Module

Selectable unlock period - a field selectable timer operates once the bolt is signalled to unlock. This enables traffic exiting 0, 3, 6 or 9 seconds in which to open the door before it automatically relocks. See Anti-Tailgate.

Multiple auto relock function - when relocking the bolt makes 9 locking attempts over 18 seconds.

Change in the bolt position switch status indicates that the door has been locked. Fail open models only.

Multiple unlock - in fail secure mode - 5 attempts to unlock door at 2 second intervals.

Anti-Tailgate - once the door has been pushed open and closed during the chosen unlock period, the bolt will immediately relock.

| DESCRIPTION | FUNCTION | CODE |
|--|---------------------------|--------------|
| Deadlocking Bolt with Latch 12-24v DC - 25mm wide radius cornered faceplate including long strike plate with square hole. | Fail Open - Power to Lock | DB25L/PTLOCK |

