

No Moving Parts

Solid state Piezo technology

Waterproof – IP68 Certificated

Highest certification available

Slimline Design

44.5mm wide x 181mm long

Tamper Resistant

Security plugs provided

Vandal Resistant

One piece solid housing

Variable Length Codes

From 4 to 8 digit codes can be used simultaneously

Electrical Features

2 amp changeover relay

12v AC or 12-24v DC ($\pm 10\%$) power 120mA max

Visual & Audible Feedback

Timeout functions for code entry and programming

Up to 200 User Codes

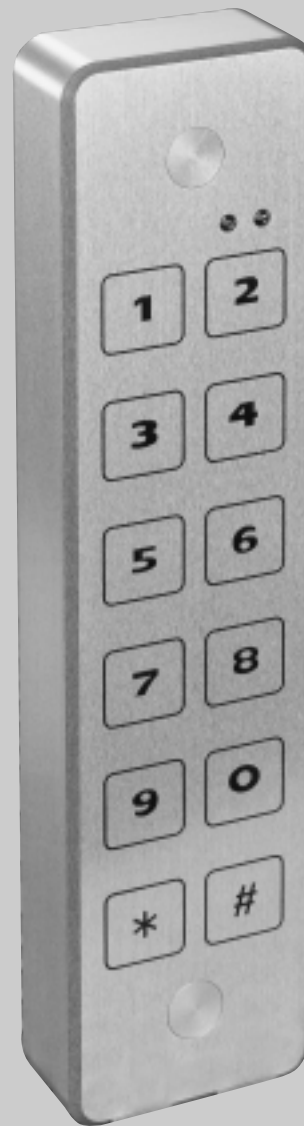
100 million combinations 4 to 8 digit codes

Non Volatile Memory**Anodized Graphics**

Long life - wear resistant

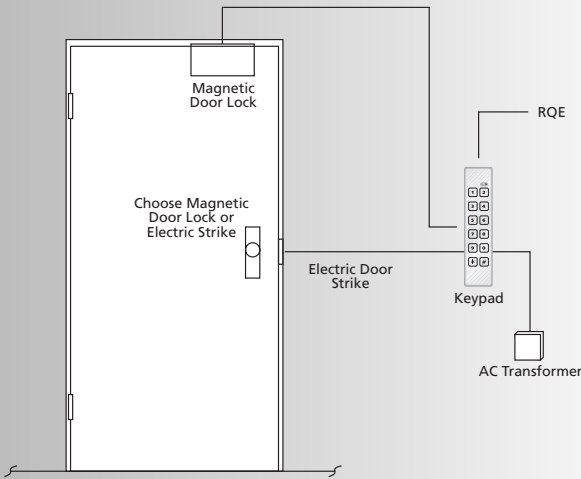
Approvals

CE and UL

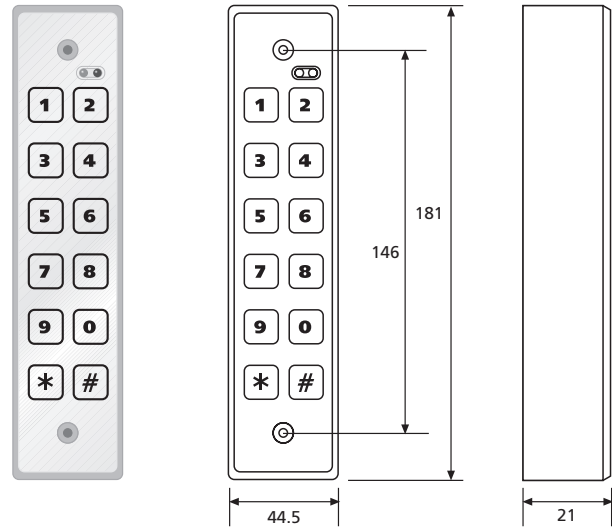


Simple to install and user friendly these aesthetically designed and vandal resistant keypads are suitable for up to 200 users. Available as either a Self Contained or Two Part Access Control System. Slim and secure with no moving parts they are manufactured to highest standards for external or internal use.

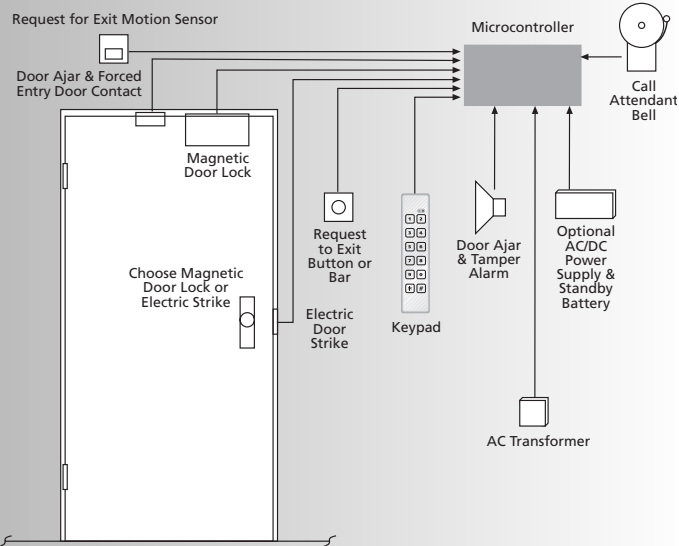
Self Contained Single Door Access Control - 200 Users



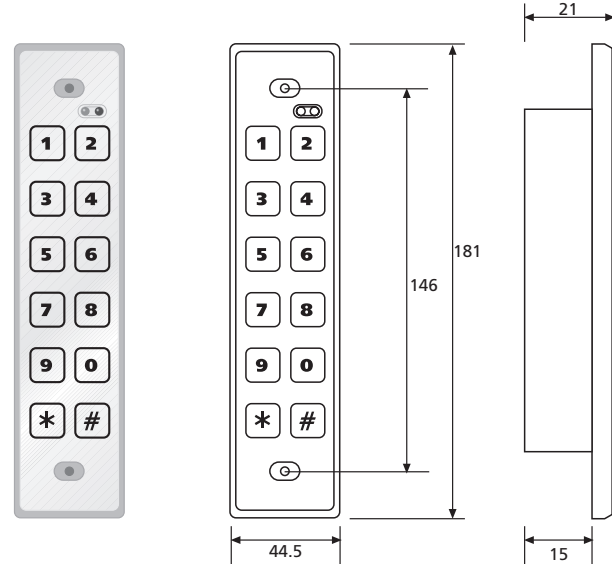
Slim Surface



Single Door Two Part Access Controller System - 200 Users



Slim Mortice



Ordering Information

DESCRIPTION

Self Contained Single Door Access Control - 200 Users

Slim Surface Mount, 2x6, 2 LED, Outdoor/Indoor, Bright Aluminium
Slim (Flush) Mortice Mount, 2x6, 2 LED, Outdoor/Indoor, Bright Aluminium

CODE

AS-626S-200
AS-626M-200

Single Door Two Part Access Controller System - 200 Users

Slim Surface Mount, 2x6, 2 LED, Outdoor/Indoor, Bright Aluminium
Slim (Flush) Mortice Mount, 2x6, 2 LED, Outdoor/Indoor, Bright Aluminium

AS-826S-200
AS-826M-200

Accessories

Cable, replacement, between Keypad and Controller. 12' of cable with connectors

AST10CABLE



International Engineering Company Ltd
Harwell Rd Nuffield Estate Poole BH17 0BD Great Britain

T 01202 676262
F 01202 680101
E info@iecltd.co.uk
W www.iecltd.co.uk

© October 2002 IEC. All rights reserved. All dimensions are nominal and subject to tolerances



First Choice Solutions