

alpro®

*Commitment to  
Excellence*

panic hardware



*Commitment to  
Excellence*

# Outside Access Device with Lever

## ALP600



The Alpro Touch Bar Series of panic exit hardware provides a high quality option which combines sleek architectural styling with superb performance characteristics.

The main feature of the design is the tactile aluminium touch bar which is not only visually attractive but is comfortable to grip, enabling the unit to be used to close the door and is easy to cut on-site during installation.

The Series is available in single, double or triple

latching point variations for single or double door combinations and can be used with or without external access device.

The Alpro Touch Bar Series is not just attractive in appearance but has undertaken 1.5 million test cycles (over 7.5 times the highest requirement of the standard) offering exceptional levels of durability and functionality.

Tested by independent test house to EN1125:2008 Panic Exit Hardware, and CE marked for safety.

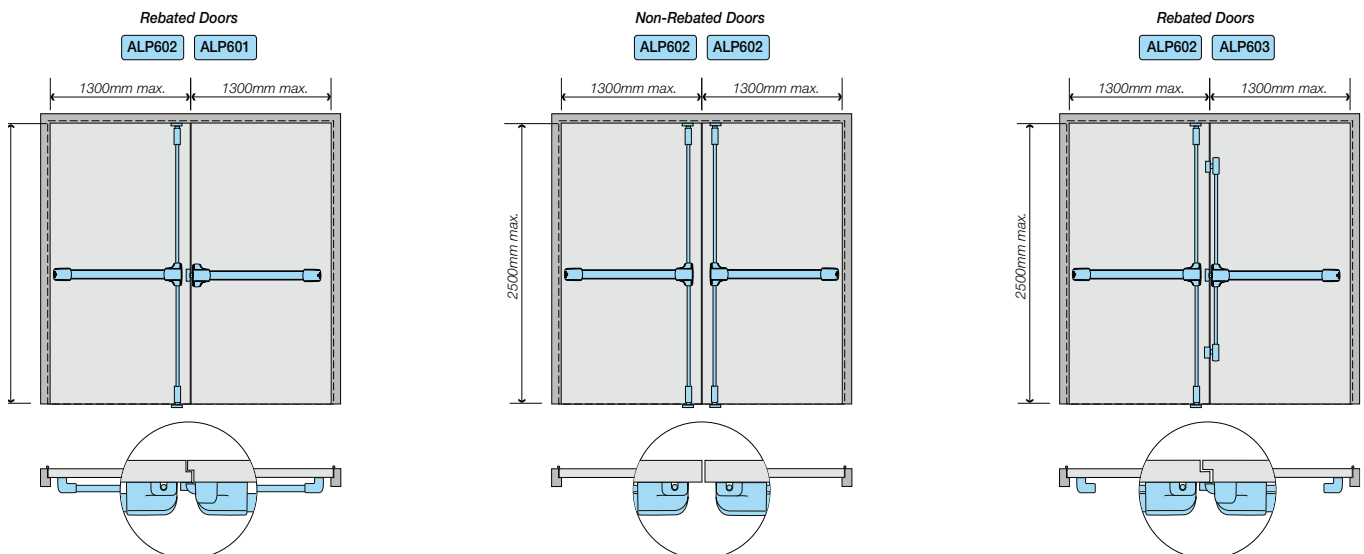
Lever operated external access unit with euro profile cylinder locking

- Designed to fully comply with EN1125 for Panic Exit applications
- Suitable for use with all single and multiple point Touch Bar panic exit hardware
- Bolt through into the outside unit from the internal mounting plate of the panic device
- Key retention feature ensures OAD is always secure
- Available with or without cylinder (40mm single cylinder)
- Available in silver finish



Code	Description
AL600/LEC/SE	Outside access device with lever

### Double Door Configurations (rebated or non-rebated)



# Touch Bar Panic Latch - Single Point Latching

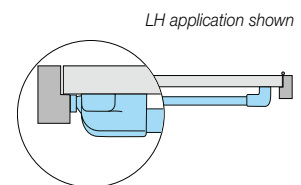
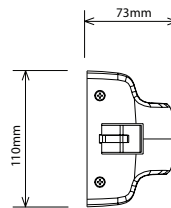
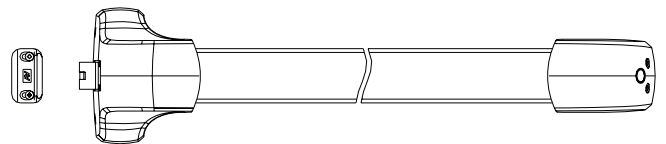
## ALP601



Touch bar single point panic latch with the following features:



- Non handed, suitable without alteration for left or right hand applications
- Can be cut down on site suitable for doors up to 1240mm wide
- Additional length bar can be supplied for doors up to 1540mm wide
- Narrow stile suitable for uPVC doors and glass panelled doors
- Single latch and anti-thrust protection
- Universal keep suitable for timber or aluminium single doors or double door combinations
- Suitable for single doors or the active leaf of a rebated double door
- Optional hold-back available enabling the door to be put into free access
- Optional Microswitch concealed in tail end of the unit to integrate with an access control system
- 240 hour salt spray corrosion resistance on all finishes



Code	Description	EN1125 Classification Code
------	-------------	----------------------------

ALP601/M/SE	Single point latching Silver	37601422AA
-------------	---------------------------------	------------

### Finish

SE Powder coated silver (as standard)

# Touch Bar Panic Latch - Two Point Latching

## ALP602



Touch bar activated two point panic bolt with the following features:

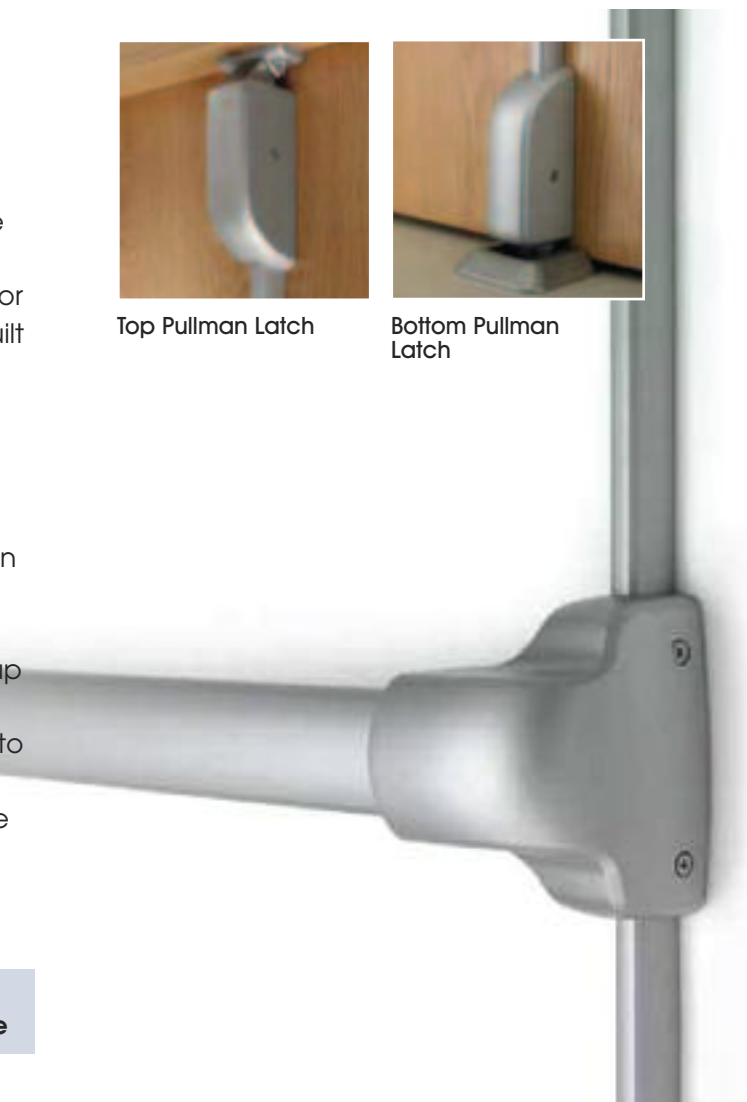
- Fire rated to EN1634-1
- Can be cut down on site suitable for doors up to 1240mm wide and up to 2450mm high
- Vertical shoot bolts with aluminium covers can be cut down on-site
- Top and bottom Pullman latches are adjustable for perfect alignment and smooth activation and built in anti-thrust protection
- Non handed, suitable for left or right hand applications
- Suitable for single doors or the active leaf of a rebated double door
- Supplied with easy clean keep for bottom Pullman and surface keep for top Pullman to suit timber and aluminium doors
- Additional length bar can be supplied for doors up to 1540mm wide
- Optional hold-back available enabling the door to be put into free access
- Optional Microswitch concealed in tail end of the unit to integrate with an access control system
- 240 hour salt spray corrosion resistance on all finishes



Top Pullman Latch



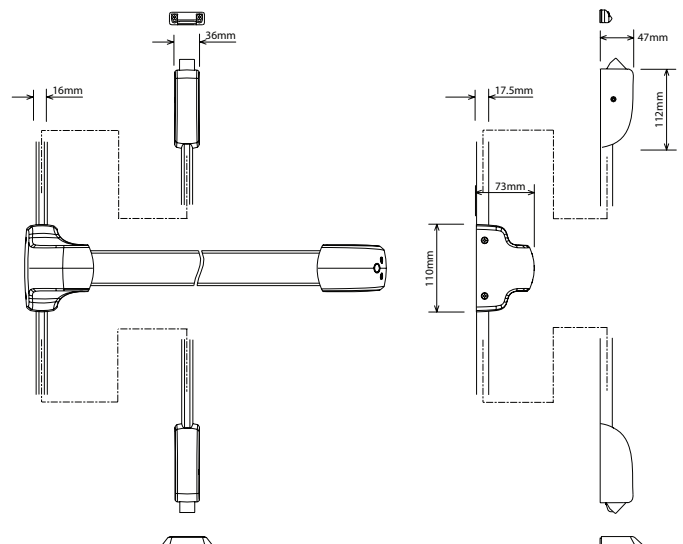
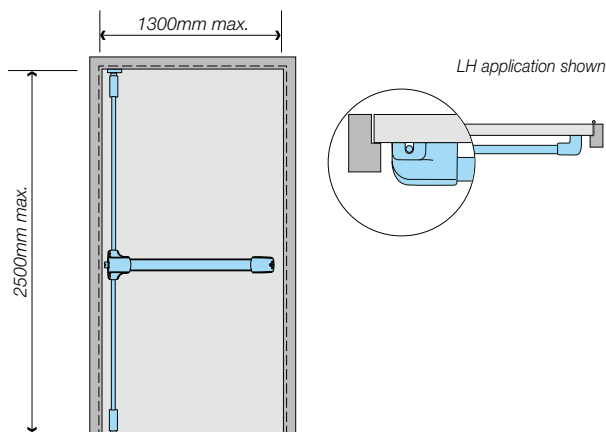
Bottom Pullman Latch



Code	Description	EN1125 Classification Code
ALP602/VM/SE	Two point latching Silver	376B1422AA

### Finish

SE Powder coated silver (as standard)



# Touch Bar Panic Latch - Three Point Latching

## ALP603



Touch bar activated three point panic bolt with the following features:

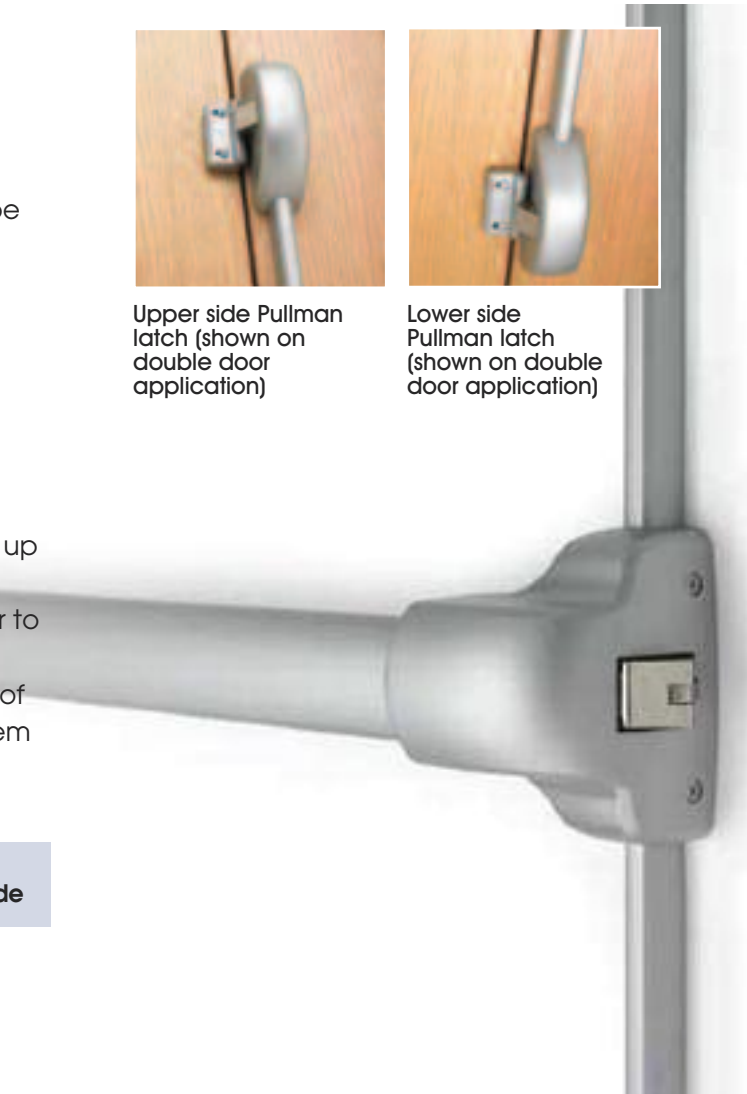
- Fire rated to EN1634-1
- Can be cut down on site suitable for door up to 1240mm wide and up to 2450mm high
- Vertical shoot bolts with aluminium covers can be cut down on-site
- Side Pullman latches top and bottom with adjustable keep for perfect alignment
- Non handed, suitable for left or right hand applications
- Suitable for single doors or the active leaf of a rebated double door
- Universal keep for timber and aluminium frames
- Additional length bar can be supplied for doors up to 1540mm wide
- Optional hold-back available enabling the door to be put into free access
- Optional Microswitch concealed in the tail end of the unit to integrate with an access control system
- 240 hour salt spray corrosion resistance on all finishes



Upper side Pullman latch (shown on double door application)



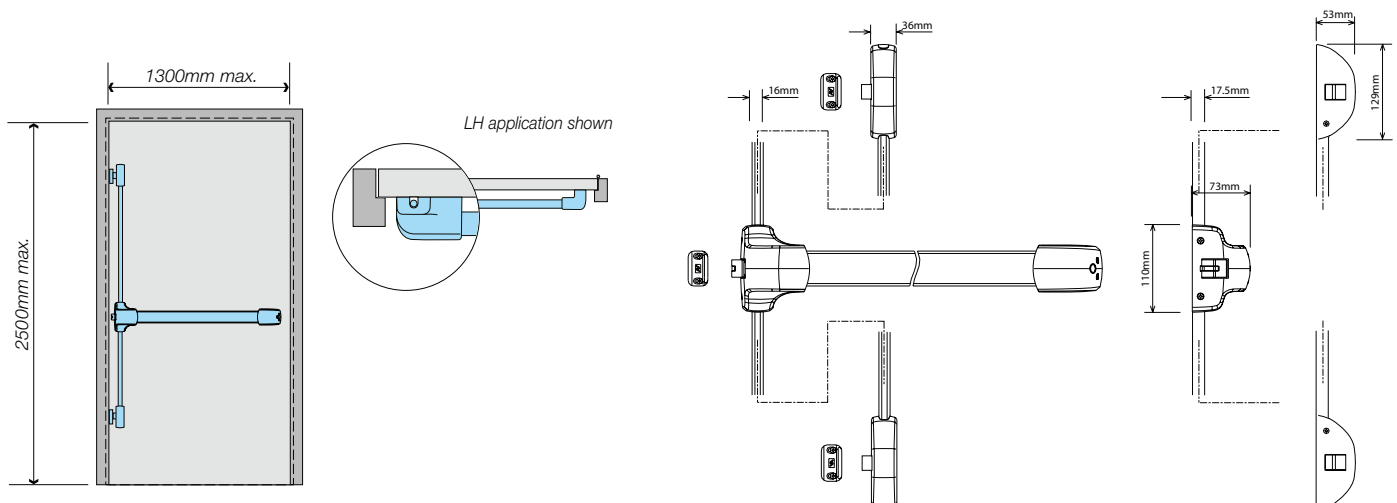
Lower side Pullman latch (shown on double door application)



Code	Description	EN1125 Classification Code
ALP603/HM/SE	Three point latching Silver	376B1422AA

### Finish

SE Powder coated silver (as standard)





# Panic & Emergency Exit Hardware

## Technical Data

### Guarantee

To support the high quality engineering, durability and quality performance of the Alpro Panic & Emergency Exit Hardware we provide a 3 year guarantee against defects due to faulty manufacturing, workmanship or defective materials.

Alpro agrees to replace any defective Alpro product free of charge provided the product has been fitted and maintained in accordance with the fitting instructions.

### Fixing/Installation - Touch Bar

The Alpro Touch Bar hardware uses a series of mounting backplates for the end mechanisms and Pullman latches which are fixed to the surface of the door. The end mechanisms of the Touch Bar unit and Pullman latches are then mounted onto the backplates. A series of spacers are provided to take up any inaccuracies in the door.

The Touch Bar is aluminium and can be easily cut on-site to suit the door width, with the ends being fully concealed by the end covers.

Similarly, the vertical rods of the double and triple point latching units and the rod covers can be readily cut on-site to suit the door height with the cut ends of the covers being concealed inside the cast covers of the mechanism and Pullman latches. The latch bolts are adjustable to assist in achieving accurate alignment to ensure a smooth operation of the exit device and a positive fit of the door within the frame.

### Fixing/Installation - Push Bar/Push Pad

The hardware is surface mounted and supplied with full fixing instructions. To comply with the standards and guarantee, the push bars and shoot bolts which are supplied loose and must be cut down on-site to suit the door width and/or height. The top and bottom shoots (where applicable) allow for  $\pm 5\text{mm}$  of vertical adjustment. The cut ends of the push bar are concealed within the end boxes. Shoot bolt ends must be carefully cut on-site as the ends are visible.

The Alpro range is supplied with all the necessary fixings for timber doors and allows for either self tapping or machine screws to be used on other door types.

### Construction - Touch Bar

The Touch Bar is extruded elliptical section aluminium. Aluminium vertical rods are concealed beneath aluminium covers. All box mechanisms, slave units and Pullman latch mechanisms are manufactured in galvanised steel with nickel plated latchbolts and painted cast Zamak cover casings. Outside access devices are cast Zamak and galvanised steel with die cast aluminium handle.

### Construction - Push Bar/Push Pad

The main body and slave unit is manufactured from die cast aluminium with extruded aluminium guides. The top and bottom shoots, the shoot ends and internal components are steel. The latchbolt is stainless steel.

### Fire Rating

The Alpro range of panic and emergency exit devices is approved for use on timber and steel doors to EN1634-1:2000. However, it is important to recognise that the hardware is required for the initial part of a fire test until the door has become sealed into the frame. The fire door is then responsible for sealing off the area and therefore it is the door which will give the fire rating.

### Standard Sizes

Standard size units are tested on doors up to 2500mm high and 1300mm wide. The shoot bolts and the push bar can be cut down on-site to suit the door height and/or width. To comply with EN1125, the touch/push bar should be installed at a height between 900mm and 1100mm from finished floor level and the bar length must be at least 60% of the door opening width. When fitted at 1100mm the maximum door height is 2530mm on the standard range and 2750mm on the Touch bar range.

### Handing Details

#### Touchbar Exit Devices

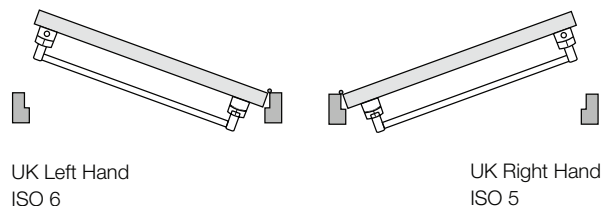
All Alpro Touch Bar exit hardware is non handed and is suitable without alteration for left or right hand applications.

#### Push Bar and Push Pad Devices

Alpro Push Bar and Push Pad latches can be reversed on-site to suit left or right hand application. Vertical bolts are non handed.

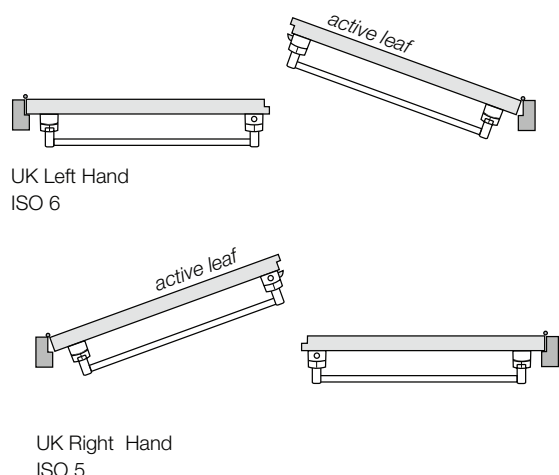
#### Single Doors

The handing is defined by viewing the door from the pull side, as below. A door with hinges to the left viewed from the pull side is classified as a Left Hand door.



#### Double Doors

The handing is defined by the first opening leaf (or active leaf). Using the same criteria as for a single door, if the hinges of the first opening leaf are to the left it is a Left Hand door.



### Hold-Back Facility

The Touch Bar range, push bar panic exit and push pad emergency exit devices are available with a hold-back feature incorporated into the mechanism unit which allows the bolts or latch to be held in the withdrawn position. This feature must not be specified on exit doors which are designated as fire doors unless the door has been fire rated in the unlatched condition.

# Panic & Emergency Exit Hardware

## Summary

	ALP601	ALP602	ALP603	
	See Page No.	3	4	5
CERTIFICATION	BS EN1125:2008	■	■	■
	BS EN179:2008			
	CE Marked	■	■	■
FIRE RATING	Timber Door - Single, Rebated & Non-Rebated Double Fitted with OAD		1 hour	1 hour
	Timber Door - Single, Rebated & Non-Rebated Double Fitted without OAD		1 hour	1 hour
	Timber or Steel Door - Single & Non-Rebated Double Fitted with outside cylinder			
	Timber or Steel Door - Single & Non-Rebated Double Fitted without outside cylinder			
	Steel Door - Single, Rebated & Non-Rebated Double Fitted with OAD		TBC	TBC
	Steel Door - Single & Non-Rebated Double Fitted without OAD		1 hour	1 hour
	Push Pad Operator			
	Push Bar Operator			
OPERATION	Touch Bar Operator	■	■	■
	Single Point Latching	■		
	Multi Point Latching		■	■
LATCHING	Pullman Latching		■	■
	Single Door Applications	■	■	■
	Non-Rebated Double Door Applications		■	
	Rebated Double Door - 1st Opening Leaf (active)	■		■
DOOR TYPE	Rebated Double Door - 2nd Opening Leaf (inactive)		■	
	Outside Access Device with Knob or Lever	■	■	■
	Outside Access by Rim Cylinder	■		
	Outside Access by Mechanical Digital Lock	■		
OUTSIDE ACCESS	Outside Access by Euro Profile Cylinder			
	ALP601	ALP602	ALP603	

# Our difference...



We are a family owned company founded in 1938 to supply quality mechanical components. Today we serve a broad band of industry with a wide range of quality products.

These are manufactured by companies of international repute who are each specialists in their own field.

We are approved to BS EN ISO 9001:2008.

*We aim to provide the best in both products and service*

- Experienced informative staff give fast, effective and friendly service.
- Technical support nationwide.
- Competitive and cost effective solutions.
- CAD design facility.
- Large stocks - same day despatch - Kanban and JIT deliveries.
- Modern technology combined with people.
- Listen, communicate - no surprises!
- Think long term - everlasting customers.



## alpro<sup>®</sup>... *the team that cares*

*Integrity • Expertise • Commitment*

**IEC Limited**, Harwell Road, Nuffield Estate, Poole, Dorset BH17 0BD Great Britain

Registered in England 1925537

03/2012



RS00117

**T** 01202 676262  
**F** 01202 680101  
**E** info@alpro.co.uk  
**W** www.alpro.co.uk