

monitored electric strike

AL2000

The Alpro AL2000 series high security monitored strikes are designed for timber and metal door applications.



12/24v Selectable

High Security

Stainless steel one part body and striker

Holding Force

1,380kg (3,000lb) - factory tested

Monitoring

Latch and door monitoring
Anti-tamper monitoring

Compact Shallow Body

26mm overall depth

Fixing Tab Options

Single fixing for metal

Low Current Consumption

220mA - 12v DC continuous ($\pm 15\%$)
110mA - 24v DC continuous ($\pm 15\%$)

Fail Safe/Fail Secure Selectable

Easy Installation

Stick on / peel off template

Options

Unmonitored version available
Extension lips – 15, 25, 50 and 75mm (pre-drilled strike body)
Weather resistant – IP53 protection

Spares

Replacement changeover pin

Approvals

CE – BS EN 50081-1 and BS EN 50082-1

AC Compatibility (with RM1)

The Rectifier Sounder Module enables operation with AC voltages.

The sounder can be set for either buzzing or silence with both AC and DC voltages.

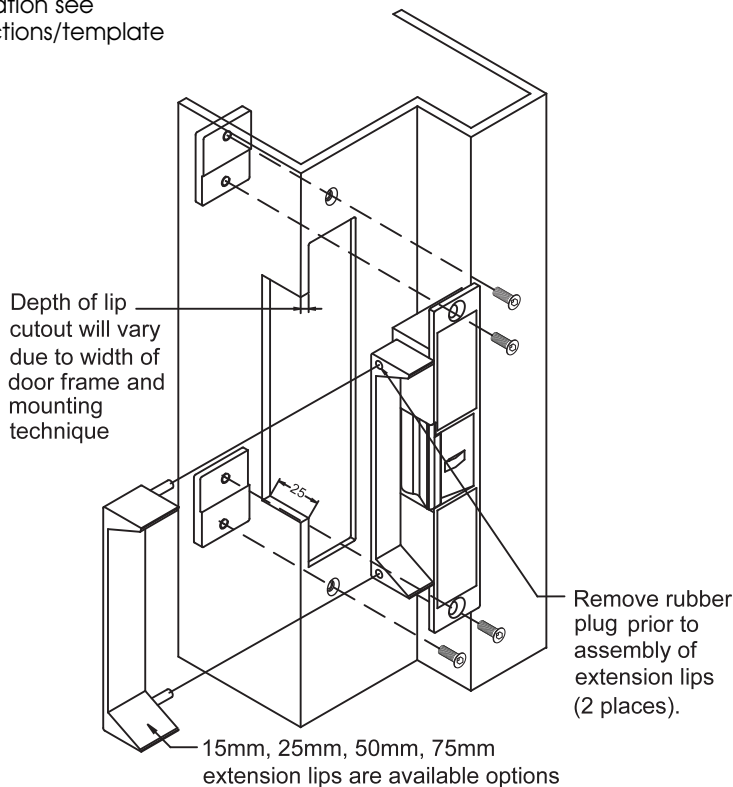
The IEC RM1 unit is continuously rated – max 1 amp.

COMPANY	MODEL	COMPANY	MODEL
Accepts 15mm latch bolt when fitted with 3mm door gap		Accepts 15mm latch bolt when fitted with 3mm door gap	
Adams-Rite	4710, 4720, 4750	Legge	8767, 8157N, E900
ASEC	AS1094, AS1095	Union	2332, 2341, 2349, 2370, 2379
ASSA	3059, 3061, 3062, 8516, 8517, 8518, 8519, 8760, 8761, 8762, 8764	Viro	8516, 8517, 8518, 8519
Chubb	3R35	Yale	3600, 3610, 4103, 6025, 6070

DESCRIPTION	FUNCTION	CODE
12/24vDC Monitored Strike including mounting kit	Fail Safe/PTL	AL2001

ACCESSORIES	CODE
15mm Extension Lip	ALEX2015
25mm Extension Lip	ALEX2025
50mm Extension Lip	ALEX2050
75mm Extension Lip	ALEX2075
Rectifier Sounder Module	IEC-RM1

Note: For detail of installation see instructions/template



AL2000
Overall depth 26mm

