

ANSI Electric Strike

AL110

The Alpro AL110 series is an ANSI style security strike complete with stainless steel short or long faceplates for use in metal or timber door applications.



12/24v Selectable

Stainless Steel Face Plate and Striker

Holding Force

1,750kg (3,860lb) - factory tested

Compact Cast Aluminium Body

35mm overall depth

Deep Jaw

Accepts 13mm latch bolt

Low Current Consumption

200mA - 12v DC continuous ($\pm 15\%$)

100mA - 24v DC continuous ($\pm 15\%$)

Simple Fail Safe/Fail Secure Changeover

Easy Installation

Stick on/Peel off template

Monitored and lipless versions available

Weather Resistant - IP56 Protection as Standard

Options

ANSI short and ANSI long faceplates

Extension lips – 15, 25, 50 and 75mm (pre-drilled strike body)

Spares

Replacement changeover pin

Approvals

CE – BS EN 50081-1 and BS EN 50082-1

AC Compatibility (with RM1)

The Rectifier Sounder Module enables operation with AC voltages.

The sounder can be set for either buzzing or silence with both AC and DC voltages.

The IEC RM1 unit is continuously rated – max 1 amp.



COMPANY	MODEL	COMPANY	MODEL
Accepts 13mm latch bolt when fitted with 3mm door gap		Accepts 13mm latch bolt when fitted with 3mm door gap	
Adams-Rite	4710, 4720, 4750	Legge	8767, 8157N, E900
ASEC	AS1094, AS1095	Union	2332, 2341, 2349, 2370, 2379
ASSA	3059, 3061, 3062, 8516, 8517, 8518, 8519, 8760, 8761, 8762, 8764	Viro	8516, 8517, 8518, 8519
Chubb	3R35	Yale	3600, 3610, 4103, 6025, 6070

DESCRIPTION	FUNCTION	CODE
12/24vDC ANSI Short SS Strike including mounting kit	Fail Safe/PTL	AL111AS
12/24vDC ANSI Short SS Strike including mounting kit	Fail Secure/PTO	AL112AS
12/24vDC ANSI Long SS Strike including mounting kit	Fail Safe/PTL	AL111BS
12/24vDC ANSI Long SS Strike including mounting kit	Fail Secure/PTO	AL112BS
For monitored version add -M to code e.g. AL111AS-M		
For lipless version add -O to code e.g. AL111AS-O		

ACCESSORIES	CODE
15mm Extension Lip	ALEX1115
25mm Extension Lip	ALEX1125
50mm Extension Lip	ALEX1150
75mm Extension Lip	ALEX1175
Rectifier Sounder Module	IEC-RM1

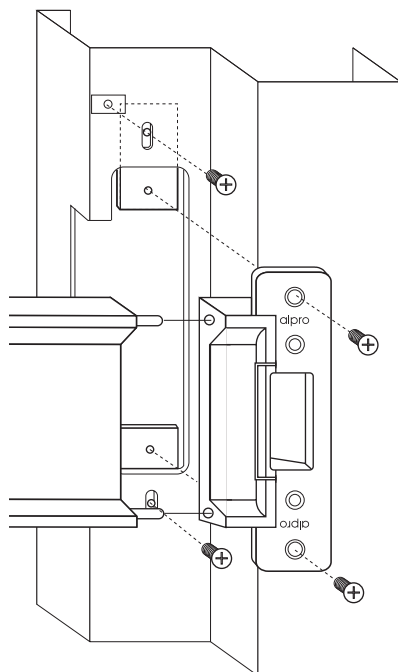
Illustrated AL110 ANSI short metal door preparation

(BS) ANSI long faceplate 200 x 35

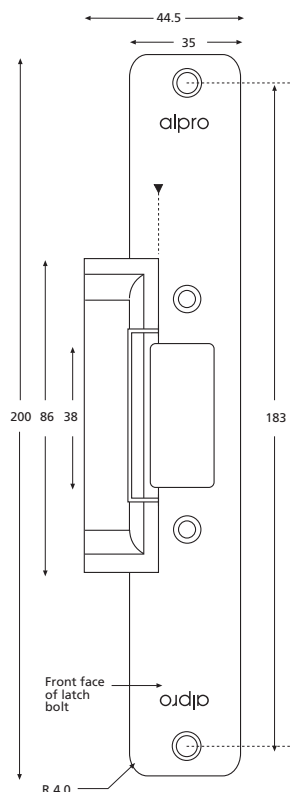
(AS) ANSI short faceplate 124 x 31

15, 25, 50 & 75mm Extension Lips are available as extras

Note: For detail of installation see instructions/ template



(BS) ANSI Long Faceplate



(AS) ANSI Short Faceplate

