

### Features

- Range of backsets available
- Faceplate finish SAA
- Stainless steel laminated lockbolts
- Locks accept standard 17mm Europrofile cylinders and thumbturn

### Functionality

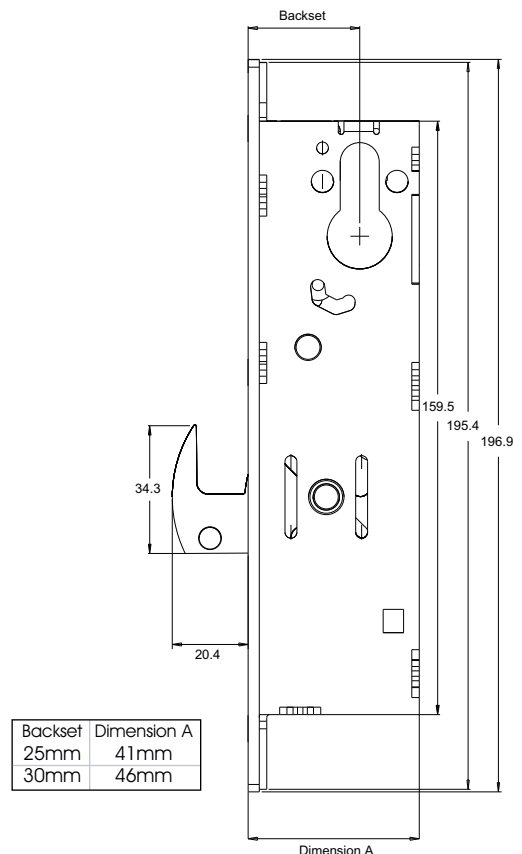
Deadlocks are available in both bar and hookbolt versions. The locks provide security deadlocking for a variety of aluminium doors including swinging and sliding applications. The hookbolt is constructed from stainless steel and is a 5 ply laminated construction, with the centre core case hardened, complete with hardened roll pin to resist hacksaw attack. All locks are designed to accept standard profile cylinders or thumbturns.

Code	Description	For use with	Finish
<b>5222025</b>	Narrow stile hookbolt lock to suit 17mm Europrofile cylinder - 25mm backset		N/A
<b>5222025R</b>	Narrow stile hookbolt lock 25mm backset RIV nut fixing		N/A
<b>5222030</b>	Narrow stile hookbolt lock to suit 17mm Europrofile cylinder - 30mm backset		N/A
<b>5222030R</b>	Narrow stile hookbolt lock 30mm backset RIV nut fixing		N/A
<b>5222125</b>	Narrow stile barbolt lock to suit 17mm Europrofile cylinder - 25mm backset		N/A
<b>5222130</b>	Narrow stile barbolt lock to suit 17mm Europrofile cylinder - 30mm backset		N/A
<b>52FP221</b>	Flat faceplate - bar bolt - width 25mm	221	SAA
<b>52FP222</b>	Flat faceplate - hook lock only - width 25mm	220	SAA
<b>52FP225</b>	Radius faceplate - hook lock only - width 25mm	220	SAA
<b>52FP228</b>	Radius faceplate with weather strip - width 25mm	220	SAA

For details of the faceplate variants available, contact the sales office for further information and product codes.

### Conversion Chart

Imperial Backset	Metric Equivalent
7/8"	22.2mm
31/32"	24.6mm
1 1/8"	28.6mm
1 1/2"	38.1mm



### Features

- Range of backsets available
- Locks accept standard 1<sup>5</sup>/<sub>32</sub>" mortice key or thumbturn cylinder
- Faceplate finish SAA
- Stainless steel laminated lockbolts

### Functionality

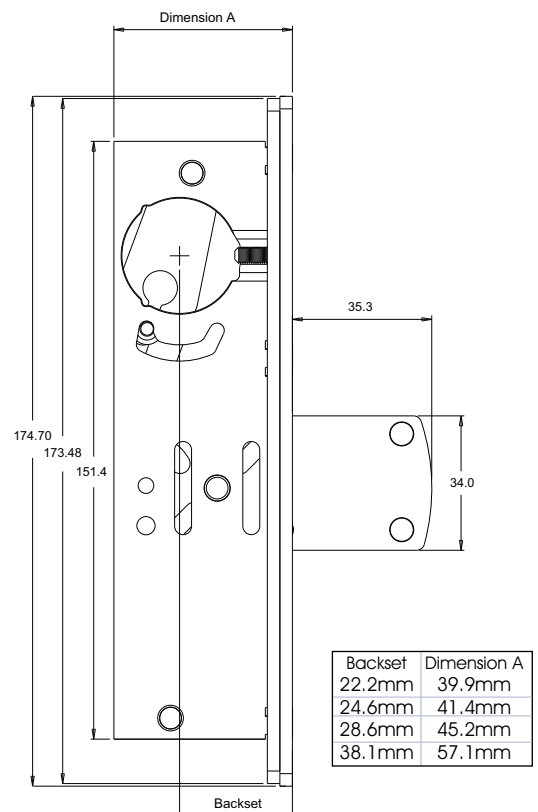
Deadlocks are available in both bar and hookbolt versions. The locks provide security deadlocking for a variety of aluminium doors including swinging and sliding applications. The hookbolt is constructed from stainless steel and is a 5 ply laminated construction, with the centre core case hardened, complete with hardened roll pin to resist hacksaw attack. All locks are designed to accept standard round mortice cylinders or thumbturns.

Code	Description	For use with	Finish
<b>5218501</b>	Narrow stile long throw barbolt deadlock to suit mortice cylinder 7/8" backset		N/A
<b>5218502</b>	Narrow stile long throw barbolt deadlock to suit mortice cylinder 31/32" backset		N/A
<b>5218503</b>	Narrow stile long throw barbolt deadlock to suit mortice cylinder 1 1/8" backset		N/A
<b>5218504</b>	Narrow stile long throw barbolt deadlock to suit mortice cylinder 1 1/2" backset		N/A
<b>52FP1851</b>	Flat faceplate - width 25mm	1850	SAA
<b>52FP1852</b>	Radius faceplate - width 25mm	1850	SAA
<b>52FP1853</b>	Radius faceplate with weather strip - width 25mm	1850	SAA

For details of the faceplate variants available, contact the sales office for further information and product codes.

### Conversion Chart

Imperial Backset	Metric Equivalent
7/8"	22.2mm
31/32"	24.6mm
1 1/8"	28.6mm
1 1/2"	38.1mm



# locks

## Round Mortice Cylinder Deadlocks



### Features

- Range of backsets available
- Locks accept standard 1<sup>5</sup>/<sub>32</sub>" mortice key or thumbturn cylinder
- Faceplate finish SAA
- Stainless steel laminated lockbolts

### Functionality

Deadlocks are available in both bar and hookbolt versions. The locks provide security deadlocking for a variety of aluminium doors including swinging and sliding applications. The hookbolt is constructed from stainless steel and is a 5 ply laminated construction, with the centre core case hardened, complete with hardened roll pin to resist hacksaw attack. All locks are designed to accept standard round mortice cylinders or thumbturns.

Code	Description	For use with	Finish
<b>5218201</b>	Narrow stile short throw barbolt deadlock to suit mortice cylinder 7/8" backset		N/A
<b>5218202</b>	Narrow stile short throw barbolt deadlock to suit mortice cylinder 31/32" backset		N/A
<b>5218203</b>	Narrow stile short throw barbolt deadlock to suit mortice cylinder 1 1/8" backset		N/A
<b>5218204</b>	Narrow stile short throw barbolt deadlock to suit mortice cylinder 1 1/2" backset		N/A
<b>5218205</b>	Narrow stile hookbolt deadlock to suit mortice cylinder 7/8" backset		N/A
<b>5218206</b>	Narrow stile hookbolt deadlock to suit mortice cylinder 31/32" backset		N/A
<b>5218207</b>	Narrow stile hookbolt deadlock to suit mortice cylinder 1 1/8" backset		N/A
<b>5218208</b>	Narrow stile hookbolt deadlock to suit mortice cylinder 1 1/2" backset		N/A
<b>52FP1821</b>	Flat faceplate - width 25mm	1820	SAA
<b>52FP1822</b>	Radius faceplate - width 25mm	1820	SAA
<b>52FP1823</b>	Radius faceplate with weather strip - width 25mm	1820	SAA

For details of the faceplate variants available, contact the sales office for further information and product codes.

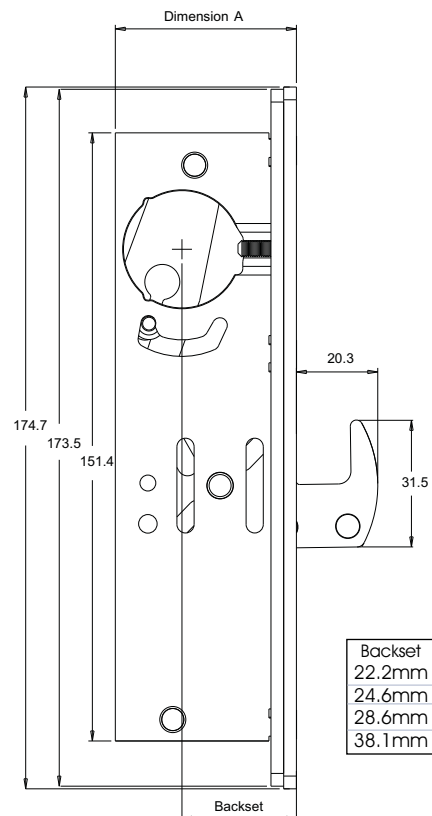
### Conversion Chart

Imperial Backset	Metric Equivalent
7/8"	22.2mm
31/32"	24.6mm
1 1/8"	28.6mm
1 1/2"	38.1mm



**52182 Lock Type**

**52FP1821 Faceplate**



Backset	Dimension A
22.2mm	39.9mm
24.6mm	41.4mm
28.6mm	45.2mm
38.1mm	57.1mm