

### Features

- Range of backsets available
- Range of faceplate finishes
- Stainless steel laminated lockbolts
- Locks accept standard 17mm Europrofile cylinders and thumbturn

### Functionality

Deadlocks are available in both bar and hookbolt versions. The locks provide security deadlocking for a variety of aluminium doors including swinging and sliding applications. The hookbolt is constructed from stainless steel and is a 5 ply laminated construction, with the centre core hardened, complete with hardened roll pin to resist hacksaw attack. All locks are designed to accept standard profile cylinders or thumbturns.

Code	Description	For use with	Finish
<b>5222025</b>	Narrow stile hookbolt lock to suit 17mm Europrofile cylinder - 25mm backset		N/A
<b>5222025R</b>	Narrow stile hookbolt lock 25mm backset RIV nut fixing		N/A
<b>5222030</b>	Narrow stile hookbolt lock to suit 17mm Europrofile cylinder - 30mm backset		N/A
<b>5222030R</b>	Narrow stile hookbolt lock 30mm backset RIV nut fixing		N/A
<b>5222125</b>	Narrow stile barbolt lock to suit 17mm Europrofile cylinder - 25mm backset		N/A
<b>5222130</b>	Narrow stile barbolt lock to suit 17mm Europrofile cylinder - 30mm backset		N/A
<b>52FP221</b>	Flat faceplate - bar bolt	221	N/A
<b>52FP222</b>	Flat faceplate - hook lock only	220	SAA
<b>52FP225</b>	Radius faceplate - hook lock only	220	SAA
<b>52FP228</b>	Radius faceplate with weather strip	220	SAA

### Faceplate Options

For details of the variants available contact the sales office for further information and product codes.



Flat faceplate

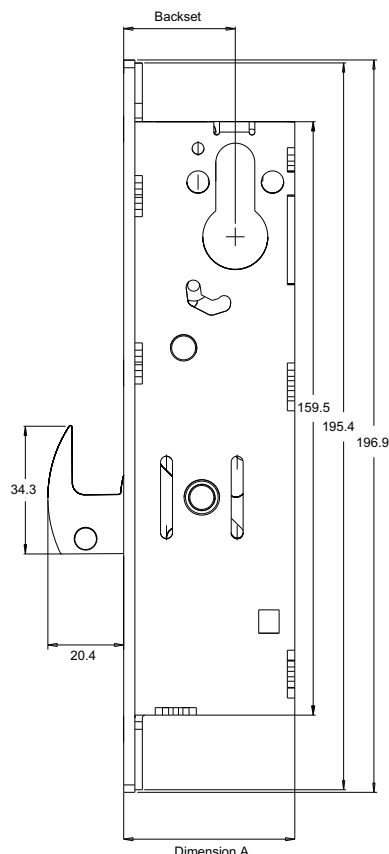


Radius faceplate



52220 Lock Type

52FP222 Faceplate



**NB - For conversion table for lock backsets see page 18**

### Features

- Range of backsets available
- Locks accept standard 1<sup>5</sup>/<sub>32</sub>" mortise key or thumbturn cylinder
- Range of faceplate finishes
- Stainless steel laminated lockbolts

### Functionality

Deadlocks are available in both bar and hookbolt versions. The locks provide security deadlocking for a variety of aluminium doors including swinging and sliding applications. The hookbolt is constructed from stainless steel and is a 5 ply laminated construction, with the centre core case hardened, complete with hardened roll pin to resist hacksaw attack. All locks are designed to accept standard round mortise cylinders or thumbturns.

Code	Description	For use with	Finish
<b>5218501</b>	Narrow stile long throw barbolt deadlock to suit mortise cylinder 7/8" backset		N/A
<b>5218502</b>	Narrow stile long throw barbolt deadlock to suit mortise cylinder 3 <sup>1</sup> / <sub>32</sub> " backset		N/A
<b>5218503</b>	Narrow stile long throw barbolt deadlock to suit mortise cylinder 1 <sup>1</sup> / <sub>8</sub> " backset		N/A
<b>5218504</b>	Narrow stile long throw barbolt deadlock to suit mortise cylinder 1 <sup>1</sup> / <sub>2</sub> " backset		N/A
<b>52FP1851</b>	Flat faceplate	1850	SAA
<b>52FP1852</b>	Radius faceplate	1850	SAA
<b>52FP1853</b>	Radius faceplate with weather strip	1850	SAA



**52185 Lock Type**

**52FP1851 Faceplate**

### Faceplate Options

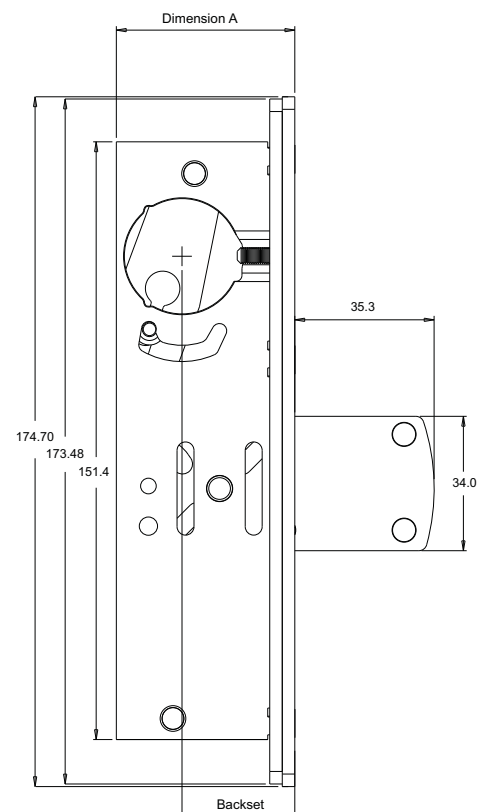
For details of the variants available contact the sales office for further information and product codes.



Flat faceplate



Radius faceplate



**NB - For conversion table for lock backsets see page 18**

### Features

- Range of backsets available
- Locks accept standard 1<sup>5</sup>/<sub>32</sub>" mortise key or thumbturn cylinder
- Range of faceplate finishes
- Stainless steel laminated lockbolts

### Functionality

Deadlocks are available in both bar and hookbolt versions. The locks provide security deadlocking for a variety of aluminium doors including swinging and sliding applications. The hookbolt is constructed from stainless steel and is a 5 ply laminated construction, with the centre core case hardened, complete with hardened roll pin to resist hacksaw attack. All locks are designed to accept standard round mortise cylinders or thumbturns.



52182 Lock Type

52FP1821 Faceplate

Code	Description	For use with	Finish
5218201	Narrow stile short throw barbolt deadlock to suit mortise cylinder 7/8" backset		N/A
5218202	Narrow stile short throw barbolt deadlock to suit mortise cylinder 31/32" backset		N/A
5218203	Narrow stile short throw barbolt deadlock to suit mortise cylinder 1 1/8" backset		N/A
5218204	Narrow stile short throw barbolt deadlock to suit mortise cylinder 1 1/2" backset		N/A
5218205	Narrow stile hookbolt deadlock to suit mortise cylinder 7/8" backset		N/A
5218206	Narrow stile hookbolt deadlock to suit mortise cylinder 31/32" backset		N/A
5218207	Narrow stile hookbolt deadlock to suit mortise cylinder 1 1/8" backset		N/A
5218208	Narrow stile hookbolt deadlock to suit mortise cylinder 1 1/2" backset		N/A
52FP1821	Flat faceplate	1820	SAA
52FP1822	Radius faceplate	1820	SAA
52FP1823	Radius faceplate with weather strip	1820	SAA

### Faceplate Options

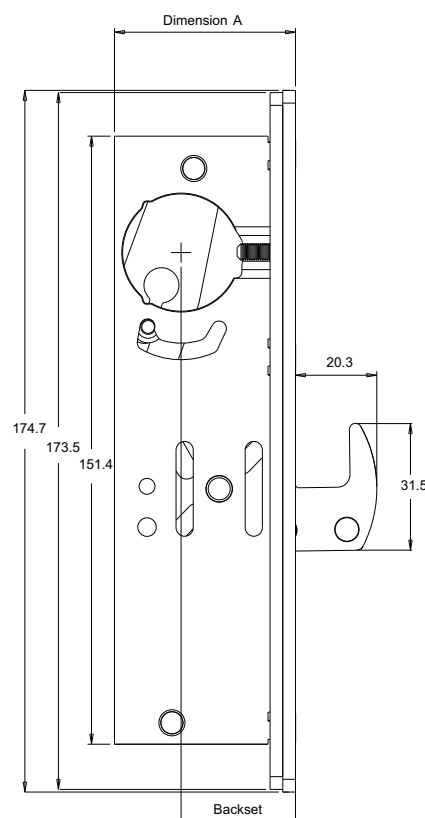
For details of the variants available contact the sales office for further information and product codes.



Flat faceplate



Radius faceplate



**NB - For conversion table for lock backsets see page 18**