

CU-720PIR

720P PIR Passive PoE Night Vision IPCAM

- 30fps at 1.3 MegaPixel Mode
- 30fps at 720P High Definition Mode
- 24V Passive PoE Port
- Built-in PIR Sensor
- 10 Meter IR Night Vision LED with ICR
- Low Lux Sensor for Brighter Images
- Micro SD Card Slot for Local Storage
- Support P2P Function
- APPS for iOS and Android
- Free 64-Channel Recording Software



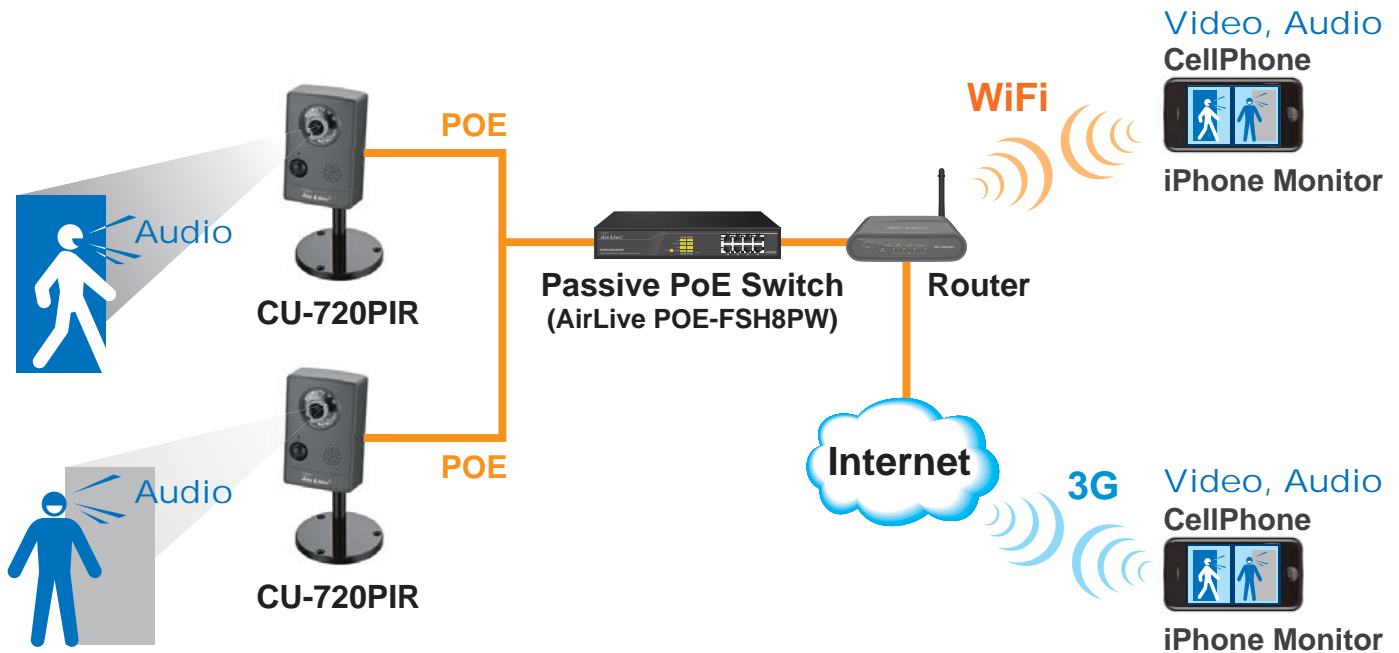
Have you ever recorded lots of video at night but nothing is important? Do you still need to buy NVR to save great amount of video data? Now, AirLive CU-720PIR can help to solve your difficulty because it can detect object motion correctly and also save your storage space. With two-way audio, it is perfect for your home, office, back yard and community entrances as door phone and surveillance.



All-in-One Security Solution IP Camera

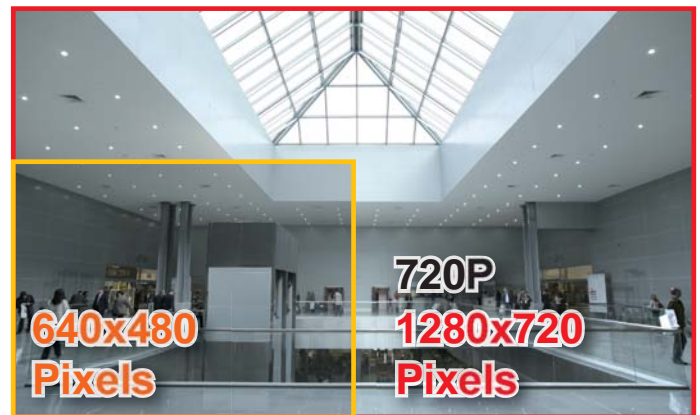
AirLive CU-720PIR is an all-in-one IPCAM with full functions in video surveillance! It supports PIR sensor and Micro SD card for motion detection and video recording to save the cost of NVR or any other storage devices.

With built-in microphone and speaker, user can use APPs to communicate with the visitor easily.



High Quality 720P Mega Pixel Image with 24v DC Passive PoE

AirLive CU-720PIR provides 720P High definition resolution at 30 frames per second. With this sensor, AirLive CU-720PIR is capable to capture images up to 1280 x 720 pixels resolution. In addition, it can be easily mounted on the wall or ceiling and decrease the burden of cabling with its network function by using its Passive POE function.



PIR Cube

PIR Detection



Night Vision and IR-CUT Removable (ICR)

AirLive CU-720PIR is with IR LED for night vision and IR-CUT Removable equipment to adjust Infrared light; therefore, AirLive CU-720PIR can be used for the most of indoor environments.

Built-in PIR Sensor

PIR sensor allows you to detect human movement precisely at night. It controls recording when sensor detects whether a person has approached, entered or left the sensor range. By PIR sensor, CU-720PIR can reduce huge amount of the recording data and extend the SD card lifeline.

Micro SD Card Recording

Memory card provides local storage function to save image files into the specified SD card in your camera; therefore, user can save NVR expense. Moreover, microSD card can be the backup storage if NVR is out of order.

Two-Way Audio Surveillance

With built-in microphone and speaker, CU-720PIR is capable of a bi-directional real-time audio transmission; therefore, besides video monitoring, user can also hear and speak to the visitor who is in front of the camera. In short, users can apply two-way audio function to communicate with visitor remotely.

Support P2P Function

This is a true plug & play remote IP camera that can be installed easily within minutes without network configuration required. No IP address settings or port forwarding is needed to connect to the camera. Just plug the P2P Cam to your network & power supply, and download the APPs "CamPro Mobile Home" to your iPhone or Android phone. Then, simply enter the DIPS ID, username & password into "CamPro Mobile Home" and you will be connected to the live video with your smart phone anytime, anywhere!

64-Channel Recording Software and IP Wizard

The surveillance software CamPro Express 64 lets user to view and record multiple live images at the same time. Using several supported Camera with CamPro Express 64, user can easily build up a surveillance system at different environment. Moreover, CU-720PIR also supports CamPro Professional, which is AirLive's intelligent video surveillance recording software. It is designed to meet most demands for professional installations. With its video analysis functions, such as tempering detection, user can build up a stable and efficient surveillance system.



APPS for Android and iOS

AirLive has worked with IPCAM Viewer developer to add support for AirLive IPCAM. So you can view multiple AirLive cameras using Android device, iPhone, or iPad. For more information about Android or iOS apps, please visit the FAQ page.

Specifications

Camera

Camera Type

- Indoor Cube Type

Image Sensor

- 1/4" 1.3 MegaPixel CMOS sensor

Sensor Resolution

- 1280X720

Lens Type

- Board Lens
- 4.3mm

Night Vision

- Yes

Max IR Distance

- 10M

Minimum Illumination

- 0 Lux with LEDs on

Mechanical IR-Cut Filter

- Built-In Removable IR Cut Filter

Viewing Angle

- 45°50' (H)28°40' (V)

Analog Video Out

- Yes

Video

Video Compression

- H.264, MPEG4, MJPEG

Video Profile

- 20

Resolution and Frame Rate

- 1280x720 @ 30 fps
- 640x480 @ 30 fps
- 320x180 @ 30 fps
- 160x90 @ 30 fps
- 1280x1024 @ 30fps (Mega mode)
- 640x480 @ 30 fps (Mega mode)
- 320x240 @ 30fps (Mega mode)
- 160x120 @ 30fps (Mega mode)

Streaming

- Multi-profile streaming
- Streaming over UDP, TCP, or HTTP
- M-JPEG streaming over HTTP (for non IE browser)
- 3GPP mobile view
- Configurable frame rate and bandwidth
- Support both CBR and VBR
- ROI

Region of Interest

- Up to 5 configurable region

Image Processing

- AE, AWB
- Noise reduction
- Color, brightness, sharpness, contrast, Hue
- Mirror/Flip
- Privacy Masks
- Text, time and date OSD

Digital Zoom

- 10X

Audio

Audio Encoder

- RTSP: G.711 64kbps, G.726 32kbps
- 3GPP: AMR

Audio Streaming

- Two-way

Audio Input/Output

- speaker and microphone port

Network

Ethernet

- One RJ45 Port; IEEE 802.3u Compliant 10/100 Mbps Fast Ethernet with Auto-MDIX

POE

- 24V Passive POE

Supported Protocols

- IPv6, TCP/IP, UDP, ICMP, DHCP, NTP, DNS, DDNS, SMTP, FTP, HTTP, HTTPS, Samba, PPPoE, UPnP, Bonjour, RTP, RTSP and RTCP

Security

- Password protection
- IP filter
- HTTPS

Users

- Up to 20 simultaneous users

LED and Button

Power LED

- Amber Color

Link/Act. LED

- Green Color

Reset Button

- Reboot and Factory Default (Push and Hold Over 8 Sec)

General

Network Processor

- DSP Base

System ROM

- 16MByte NAND Flash

System RAM

- 128Mbyte DDR SDRAM

Power Supply

- DC12V

Power Consumption

- 5 Watts Max.

Connector

- RJ-45 10BaseT/100BaseTX
- 12V DC power jack
- Microphone/Speaker jack
- Composite video out
- Reset button

Environment

- Operation: Temp: 0°C ~ 40°C Humidity: 20% ~ 80% non-condensing
- Storage: Temp: 0°C ~ 40°C Humidity: 0% ~ 90% non-condensing

SD card slot

- Micro SD

Dimension

- HxWxD:91x55x95 mm

System Integration

Software

- CamPro Express 64, CamPro Professional
- Search & Installation-IP Wizard II

Event Triggers

- Motion detection
- External input via DI interface

Motion Detection

- 10

Event handler

- FTP or NAS file upload
- E-mail alert
- HTTP, and TCP notification
- DO (digital output) alarm

UPNP

- Yes

Application Programming Interface

- ONVIF
- Open API for software integration
- SDK

Video Buffer

- Pre- and post- alarm buffering

Alarm Triggers

- Intelligent video motion detection and external input

Alarm Events

- File upload via FTP or email
- Notification via email, HTTP, and TCP
- External output activation

- Save to SD card
- Audio alerting output

Continuous recording

- Yes

Viewing System

OS

- Windows[®] XP, Vista, 7

Browser

- IE 6.0 or later, Firefox 2.0 or later, Safari

Cell Phone

- With 3GPP player

Video Player

- VLC, Quick Time, Real Player, Core Player

Ordering Information:

AirLive CU-720PIR 720P PIR Passive PoE Night Vision IPCAM