

Handset Intercom

STATION

90

YAZ-90-3



- Microprocessor built-in intercom expandable to max. 90 stations on 4-pair cable.
- Max. 2.9Km extended.
- Paging zones incorporable.

- Communication functions: Camp-on busy, secretary transfer, call transfer.
- Line-off trouble on one channel does not affect the rest channels.



YAZ-90-3
Phone extension

Use **YAK-A** Terminal
Box for desk use

Options

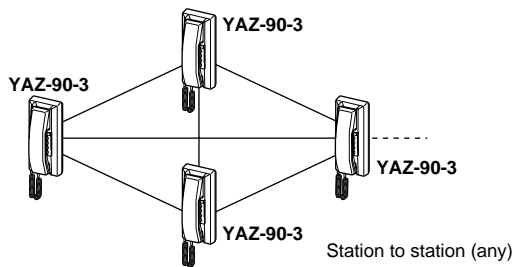


YAW-R, 1-zone page
adaptor → P.73



YAW-RA, 8-zone page
adaptor → P.73

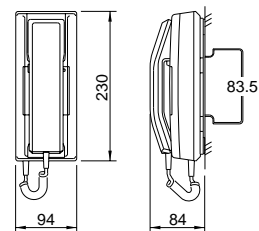
Communication network & wiring



System components

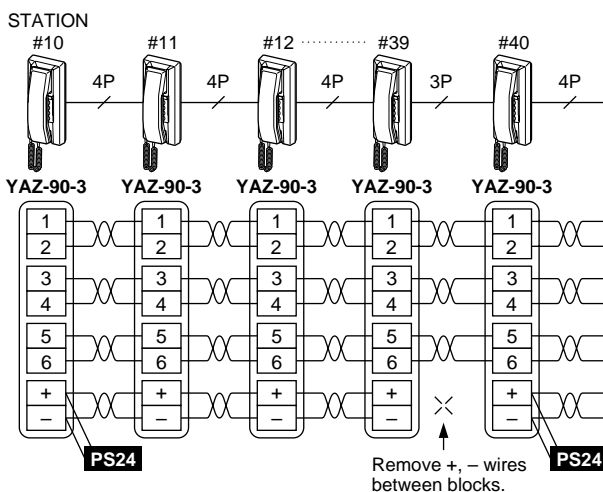
YAZ-90-3: Master station
YAK-A: Terminal box for YAZ desk-top use
24V DC power supply: PS-24E per each block

YAZ-90-3



Specifications (YAZ-90-3)

Power source	24V DC, 150mA max. 20mA standby.	
Power supply	PS-24E per 30-station block.	
Communication	Dial 2-digit station # to ring opponent with tone or voice pressing PAGE. Communicate with secrecy on each channel (max. 3).	
Line loop resistance	Must not exceed 200Ω for farthest stations. 20Ω for power line.	
Wiring	4-twisted pairs (shielded) in loop.	
Total wiring distance	0.65mmø	0.8mmø
• Farthest YAZ's	1,900m	2,900m



PS24 : PS-24E