

MY-2CD

Video Sentry PanTilt Plus

DESCRIPTION:

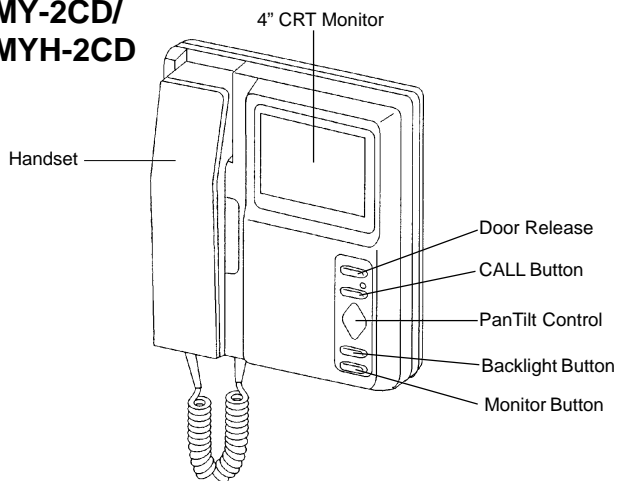
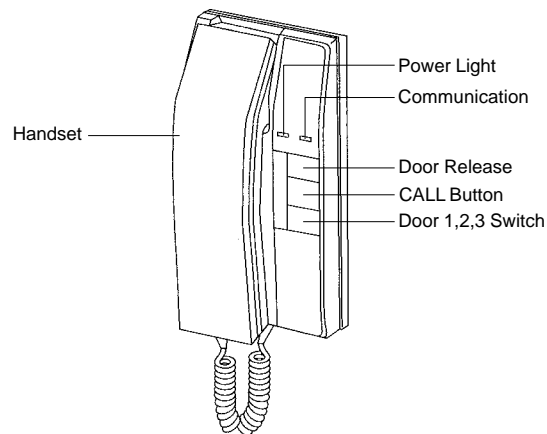
The MY-2CD Video Sentry PanTilt Plus series is a video entry system with capacity for two video door stations, an additional audio-only door station, and up to three inside monitor/handset stations.

The video room stations are equipped with a 4" flat CRT monitor, and the video door station contains a CCD chip camera with infrared LEDs for low light applications. The camera is designed with a PanTilt mechanism, allowing the viewer inside to adjust the camera's angle.

Internal communication between room stations, audio and video door monitoring, and backlight control are included. Brightness, contrast, and chime volume controls are located under each unit.

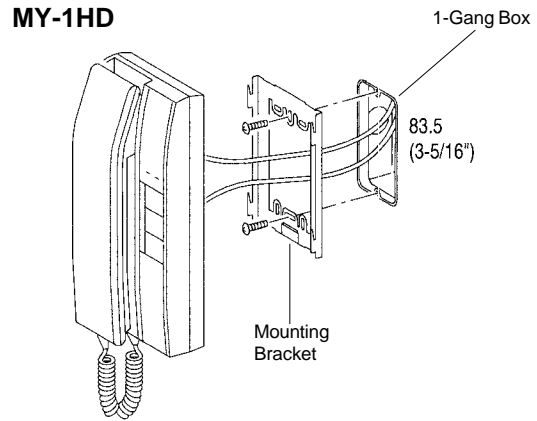
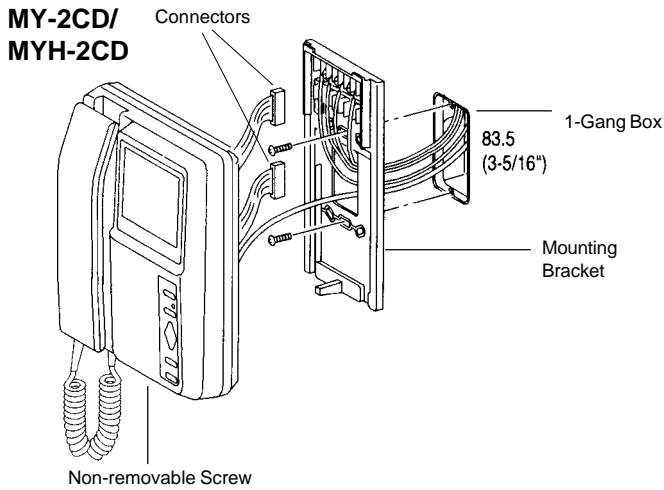
OPERATION:

Incoming calls from a door station sound a 2 or 4-stroke chime, and the audio-only station sounds an 8-stroke chime. The monitor(s) come on displaying the image of the caller. The person at the inside station picks up to answer, and the visitor speaks hands free. The entry area can be monitored by pressing the "monitor" button on any room station. This allows both audio and video monitoring, staying on for approximately 2-1/2 minutes. The door release button can be used to activate an electric door strike. To selectively release two video doors, add the RY-WL/C adaptor.

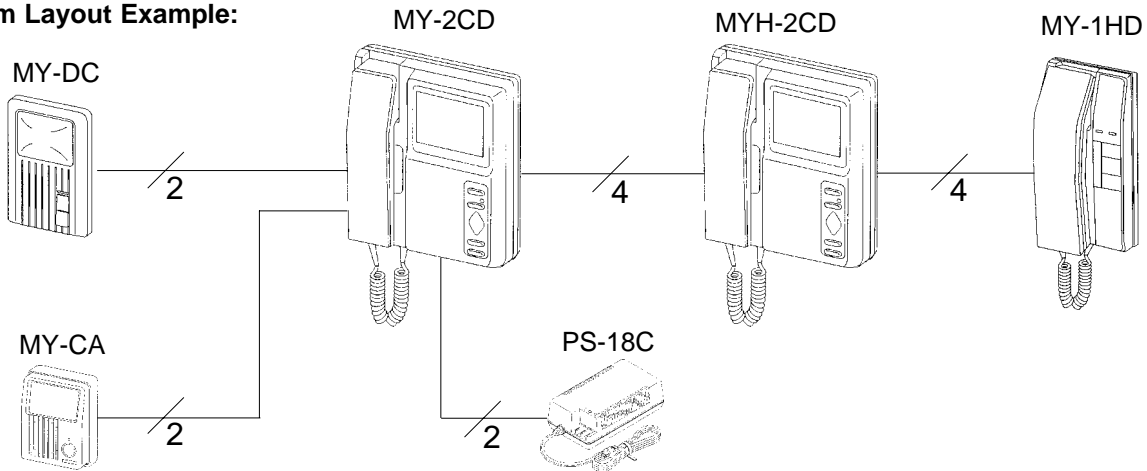
**MY-2CD/
MYH-2CD****MY-1HD****FEATURES & FUNCTIONS:**

- PanTilt cameras controlled from inside monitor stations
- Built-in infrared illumination for low light applications
- Camera Pans 122° and Tilts 76°
- Call button rings a chime at inside monitor(s) -- different chime pattern for each door
- Monitor visually and audibly from inside station by pressing MONITOR button
- Visually identify visitors before letting them in
- Handset for two-way communication at inside station
- Hands free communication at the door station
- Up to three monitors can be incorporated per system
- Inside stations can communicate with each other
- Activate electric door strike from inside station
- Selectively release video door locations (adapter required)
- Simple 2-wire hook up to door stations
- Only 4 wires between inside monitors

MOUNTING & INSTALLATION:



System Layout Example:



SPECIFICATIONS:

System:	Video Sentry PanTilt Plus
Power Source:	18V DC - Use PS-18C
Operating Temperature:	14° ~ 140° F
Communication:	Hands free at door station, Handset at monitor station
Camera Unit:	CCD (Charged Coupled Device) with infrared LED illumination
Overall Viewing Area:	36" Vert. x 72" Horiz. at 20"
Degree of Pan:	122 degrees
Degree of Tilt:	76 degrees
Wiring Distance:	Door station to MY-2CD: 165' w/22AWG; 330' w/18AWG MY-2CD to farthest MYH-2CD: 245' w/18AWG PS-18C to MY-2CD: 16' w/18AWG
Material:	ABS plastic
Color:	White
Mounting:	Surface mount
Backbox:	1-Gang box or ring
Door Release Contact:	Normally Open - 24V DC, 1A Max.
Dimensions (H x W x D):	9" x 7-1/2" x 2-3/4"