

AFM-WDM-3MP-B

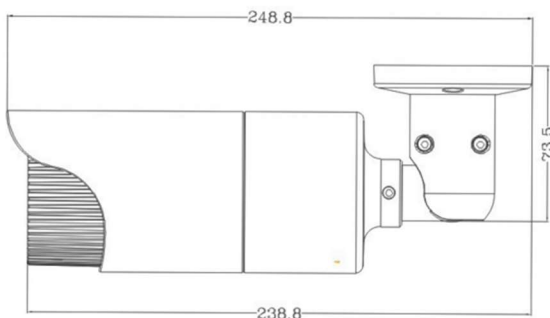
3Megapixel IR Bullet Motorized Lens IP Camera



Key Features

- > 1/2.5" 3.0 Megapixel Progressive Scan Aptina CMOS sensor
- > Ti DaVinci Series DSP
- > H.264&MJPEG video compression and JPEG image capture
- > Max 20fps @ 3.0MP (2048×1536)
- > Dual encoding streams supported
- > Lens: 2.8-12mm /F1.4 varifocal motorized lens
- > 4pcs Φ11 IR lights ,Max IR Distance :30m
- > True Day/Night ICR
- > Support Alarm I/O
- > IP66 all-environments protection
- > Support DC12V power supply, PoE
- > Built-in Web server, NVR, CMS

Dimensions (Unit :mm)



Specifications

MODEL	AFM-WDM-3MP-B
System	
Processor	Ti DaVinci Series DSP
Operating System	Embedded LINUX
Resource	Simultaneous remote monitoring, local recording and remote control
Camera	
Image sensor	1/2.5" 3.0Megapixel Progressive Scan Aptina CMOS Sensor
Effective Pixels	2048 (H)×1536(V)
S/N Ratio	More than 50dB
Min. Illumination	Color:0.2Lux/F1.2 ; B/W:0.01Lux/F1.2 ; 0Lux/F1.2(IR on)
Lens	2.8mm~12mm/F1.4 varifocal motorized lens
Video	
Video compression	H.264/MJPEG Optional
Resolutions	3.0Mp(2048 × 1536) /1080P(1920×1020) / 720P(1280×720) / D1(704×576/704×480)
Encoding Speed	Main Stream: 3.0Mp /20 fps; 1080P/720P(1~25fps/30fps) Extra Stream: D1/CIF:(1~25fps/30fps)
Video streaming	Support multi stream with H.264, MJPEG, Adjustable frame rate, CVBR/CBR in H.264
Image Setting	Day & Night
	Auto White Balance
	Auto Exposure
	Privacy Mask
	DWDR
Defog(On/Off), Smart IR	
Video Output (CVBS)	BNCx1, 1Vp-p 75 ohm Composite - Optional
Audio / Alarm (Optional)	
Audio Streaming	Two Way
Audio Compression	G.711a/G.711u/RAW_PCM Optional
Sample Rate	G.711a(8kbps)/G.711u(8kbps)/RAW_PCM(16kbps)
Alarm In/Out (Optional)	In: 1, Out: 1
Network / System Integration	
Supported protocol	HTTP, FTP, SMTP, DNS, DDNS, RTSP, RTP, TCP, UDP, DHCP
Alarm events	File upload via ftp, E-mail, Notification via email, FTP and TCP
ONVIF	ONVIF Ver.2.41
Smart phone	Iphone , Ipad ,Android, Windows phone
Remote Operation	Monitor, Playback, System setting, File download, Log information, Maintenance & Upgrade
Physical	
Power Source	DC12V/1.5A, PoE(Power over Ethernet): 802.3af-Optional
Storage	TF Card upto 64GB
Power Consumption	<10W
Net Weight	0.866Kg
Dimension	248.8mm x 73.5mm
General	
Operating Temperature	-40°C ~ +60°C, Humidity less than95%(Non-condensing)

* Specifications are subject to change without prior notice.