

## AFM-ITWVF-2MP-B

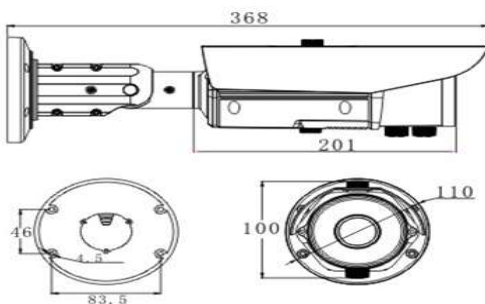
2.1 Megapixel Outdoor Vari-focal IR Bullet Camera



### Key Features

- Low power consumption 2.1 Megapixel sensitive CMOS sensor
- 3DDNR and 3A (AE, AGC, AWB) for different applications
- WDR >120dB
- Standard H.264 Video Compression for smooth transmission at low bandwidth
- Dual streaming technology
- Smart IR self-adaption, view distance up to 30m~40m, IR will adjust the luminance according to the light conditions
- True day/night converting with Dual IR-cut filter
- External focal length adjustment mechanism
- Built-in Web server, fully supports remote viewing, configuration and firmware upgrading
- Support PoE for easy installation and maintenance
- Software watchdog available, camera can resume to work automatically
- IP66 Weather Proof and Metal housing
- Motion detection, Privacy mask, I/O alarm function available

### Dimensions (Unit :mm)



### Specifications

MODEL	AFM-ITWVF-2MP-B
<b>Camera</b>	
Image sensor	1/2.8" CMOS sensor, 2.1Megapixel
Total Pixels	1920(H) x 1080(V) 2.1 Megapixel
S/N Ratio	More than 50dB
Min. Illumination	Color: 0.2Lux@F1.2; Mono: 0.001Lux@F1.2; 0Lux@F1.2, IR ON
IR Distance	30m~40m
Day & Night	Auto, IR-cut filter
Lens	3.3-10.5mm <sup>1</sup>
<b>Video</b>	
Video compression	H.264 high profile, MJPEG
Resolutions	1920*1080@30fps, 1280*720@30fps, 800*600fps, 640*360@30fps
Frame rate	PAL: 1~25fps, NTSC: 1~30fps
Video streaming	Support dual stream with H.264, MJPEG
Pan/Tilt Control	1 x RS485
Image Setting	Day & Night
	Auto White Balance
	Auto Exposure
	Privacy Mask
	WDR(Low/Middle/High) >120dB 3DNR(On/Off)
Output	CVBS : 1.0 Vp-p / 75Ω composite
Alarm In/Out (Optiona)	In: 1, Out: 1, , support bi-direction audio
<b>Network / System Integration</b>	
Security	Password Protection, User access log, HTTPS encryption
Supported protocol	IPv4/ IPv6, RTSP/RTP/RTCP, TCP/UDP, HTTP, DHCP, DNS, FTP, DDNS, PPPoE, SMTP, STP, Multicast, ONVIF
Intelligent video	Motion detection up to 1920x1080
Alarm events	File upload via ftp, E-mail, Notification via email, FTP and TCP
Integration	ONVIF 2.1, SDK or API (H-VMS 4.0/5.0)
Storage Protocol	CIFS, NFS
<b>Physical</b>	
Power Source	DC12V/1.5A, PoE(Power over Ethernet): 802.3af-Optional
Storage	Micro SD / SDHC card, 32GB maximally
Power Consumption	5W (IR LED OFF); 9W (IR LED ON)
Net Weight	1450g (Camera only)
Dimension	312 × 85 (mm)
<b>General</b>	
Operating Temperature	Temperature: -10°C~+60°C
Installation	Surface mount
Quantity of LED	42 pcs
Wavelength	850nm
<b>Functionality</b>	
Recording	Local Recording, NAS recording, SD card recording
Privacy mask	3 areas, adjustable
OSD	Time, Date, Video channel, Channel name and user defined
Reliability	Software watchdog available
Heartbeat	Support

\* Specifications are subject to change without prior notice.

Email: [Info@afmvision.com](mailto:Info@afmvision.com)

The Bristol Office 2nd Floor,

5 High Street Westbury-On-Trym Bristol, BS9 3BY, England, United Kingdom

Tel: +44-2071014437

AFMVISION UK log and other trademarks associated with AFMVISION UK products referred to in this publication are trademarks of AFMVISION UK technologies. Ltd

All other product names and services are the property of their respective companies.

ONVIF and ONVIF logo are trademarks of ONVIF.