

AFM-2SHIP-2MP-D

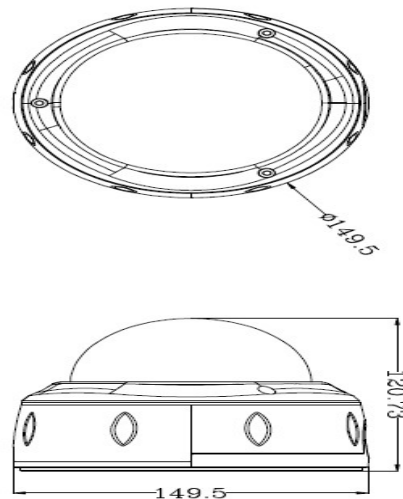
2Megapixel IR Dome IP Camera



Key Features

- ❖ 2.0 megapixel resolution(1920×1080)
- ❖ Minimum illumination color 0.3Lux@F1.2,black 0.03Lux@F1.2
- ❖ Max 1080P(1920×1080)@30fps
- ❖ H.264 High Profile Level & MJPEG dual-stream encoding
- ❖ Three stream output(2CH H.264+1CH MJPEG
- ❖ Day/Night(ICR)&3D DNR&AWB&AGC&BLC ,Digital WDR
- ❖ Power supply DC12V&POE IEEE802.3af(Optional)
- ❖ P2P function support IOS & Android
- ❖ Onvif 2.4

Dimensions



Specifications

MODEL	AFM-2SHIP-2MP-D
System	
Processor	High-performance Hisilicon DSP
Operating System	Embedded LINUX
Resource	Simultaneous remote monitoring, local recording and remote control
Camera	
Image sensor	1/2.8" 2.0MP Pixel Sony scan CMOS
Effective Pixels	1920 (H)×1080(V)
S/N Ratio	More than 50dB
Min. Illumination	Color:0.2Lux/F1.2 ; B/W:0.01Lux/F1.2 ; 0Lux/F1.2(IR on)
Lens	2.8mm~12mm/F1.4 varifocal lens
IR Range	30m
Video	
Video compression	H.264/MJPEG Optional
Resolutions	1080P(1920×1020) / 720P(1280×720) / D1(704×576/704×480)
Encoding Speed	Main Stream: 1080P/720P(1~25fps/30fps) Extra Stream: D1/CIF:(1~25fps/30fps)
Video streaming	Support multi stream with H.264, MJPEG, Adjustable frame rate, CVBR/CBR in H.264
Image Setting	Day & Night
	Auto White Balance
	Auto Exposure
	Privacy Mask
	DWDR
Defog(On/Off), Smart IR	
Video Output (CVBS)	BNCx1, 1Vp-p 75 ohm Composite - Optional
Audio / Alarm (Optional)	
Audio Streaming	Two Way
Audio Compression	G.711a/G.711u/RAW_PCM Optional
Sample Rate	G.711a(8kbps)/G.711u(8kbps)/RAW_PCM(16kbps)
Alarm In/Out (Optional)	In: 1, Out: 1
Network / System Integration	
Supported protocol	HTTP, FTP, SMTP, DNS, DDNS, RTSP, RTP, TCP, UDP, DHCP
Alarm events	File upload via ftp, E-mail, Notification via email, FTP and TCP
ONVIF	ONVIF Ver.2.4
Smart phone	Iphone , Ipad ,Android
Remote Operation	Monitor, Playback, System setting, File download, Log information, Maintenance & Upgrade
Physical	
Power Source	DC12V/1.5A, PoE(Power over Ethernet): 802.3af-Optional
Power Consumption	6W
Net Weight	1.2Kg
Dimension	150x121mm
General	
Operating Temperature	-40°C ~ +60°C, Humidity less than95%(Non-condensing)

Specifications are subject to change without prior notice.