



The performance and usability of the ADPRO FastTrace and ADPRO FastTx range of products can be further enhanced by the use of two add-on accessories. The ADPRO VM21A relay card provides relay contacts for the alarm/control outputs on the ADPRO FastTrace and ADPRO FastTx. The ADPRO VM22A Audio Switcher expands the audio capability of the units to provide zoned audio input and output functionality.

VM21A Relay Card

Increasing the current switching rating of the standard ADPRO FastTrace/ADPRO FastTx Alarm/Control Outputs is achieved with the use of an ADPRO VM21A Relay Card. The ADPRO VM21A provides mechanical relay contacts for each alarm/control output as well as a general relay output on all ADPRO FastTrace/ADPRO FastTx models.

VM22A Audio Switcher

The ADPRO VM22A Audio Switcher provides direct connection of up to 10 microphones and 10 loudspeakers to ADPRO FastTrace and ADPRO FastTx video transmission systems. ADPRO VM22A units can be cascaded to support 20 channels of audio for 20 channel ADPRO FastTrace and ADPRO FastTx units.

VM22A Features

- Cascadable to support 20 channels of audio
- Individual microphone and output level gain controls
- Inputs controlled by automatic gain control or manual gain control
- Detachable screw terminals for easy installation
- Individual control of each channel or broadcast mode for both audio input and output
- Input level indicators
- Microphone or line level inputs
- Internal 1 Watt (8 ohm) speaker amplifier or external amplifier delivering up to 4 Watts into an 8 ohm load

VM21A Specifications

Relay Outputs (for use with ADPRO FastTrace/ADPRO FastTx only)

10 normally open relay contacts change to the closed position when the respective Alarm/Control Output switches on. Outputs available via a screw terminal connector. 1 single pole change over (Form C) general relay. The contacts change when at least one Alarm/Control Output switches on or a power failure to the ADPRO VM21A occurs. Outputs available via a screw terminal connector. Each contact rated at 0.5 Amp, 32 V.

Relay Control Inputs

10 inputs control the respective relay output. Input voltage less than 1.0 V, 60 mA (max) to switch the respective relay on.

Power Requirements

12 VDC operation. 10-15 VDC.
5 watts (max) at 12 VDC. Power via a screw terminal connector.

Construction and Dimensions

Unsealed printed circuit board with 4 mounting holes for M3 screws.
SnapTrak compatible.
130 mm (5.1") L x 91 mm (3.6") W

Weight

150 grams (5 ounces).

Operating Conditions

Operating temperature range 0°C–50°C
(32°F–122°F).
Humidity less than 90% non-condensing.

EMC Compliance

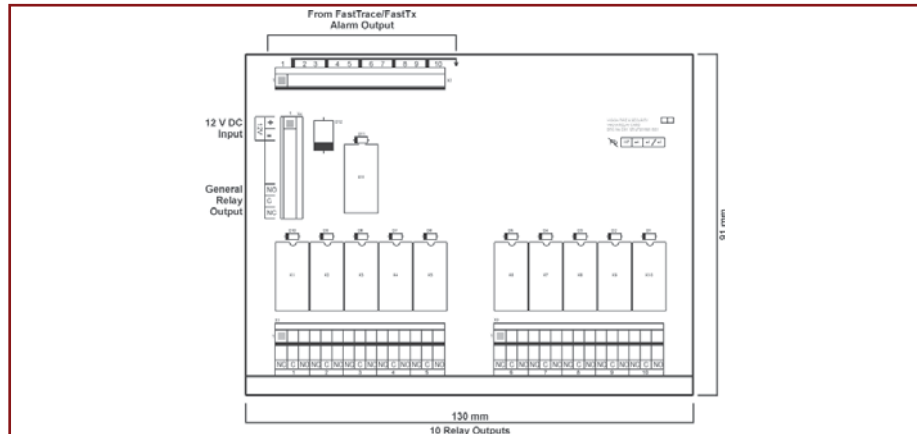
Emissions: Class A compliance to EN55022 (CISPR 22), FCC Part 15, AS/NZS 3548.
Immunity: EN50130-4 Alarm Systems.

Warranty

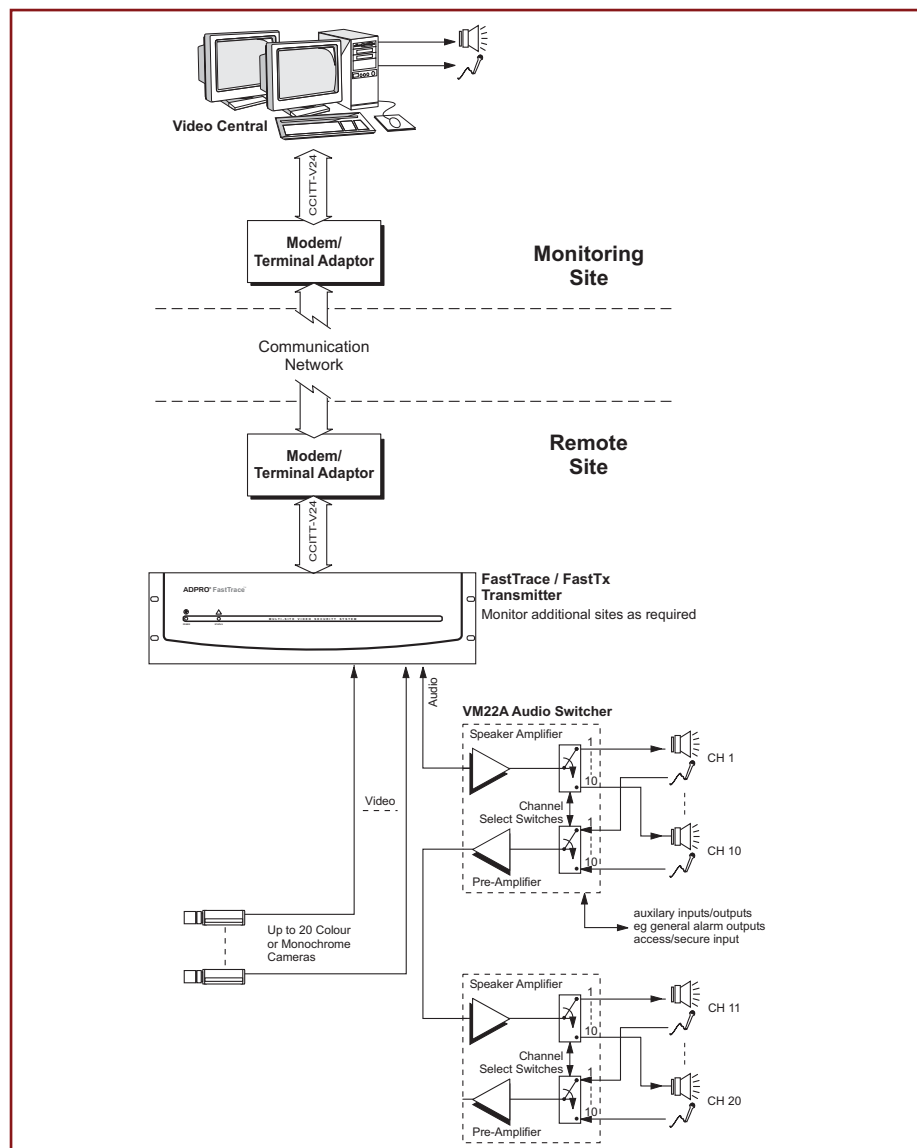
Twenty four (24) months.

ADPRO Transmitter Accessories

VM21A Relay Card and VM22A Audio Switcher



VM21A Relay Card pin connections and mounting details



Up to 20 remote audio devices connected through the ADPRO VM22A Audio Switcher. The ADPRO VM22A switches audio to the currently displayed video camera

ADPRO VM22A Specifications

Audio Inputs

10 audio inputs selected as either microphone or line connection.

Switch setting enables the audio input corresponding to either the currently displayed video camera, or permanently enables input 1. The setting is independent of the audio output setting.

Automatic gain control is provided or the ADPRO VM22A can be used with manual input level control.

- Microphone: Balanced, Impedance 3000 ohms, Signal Level Range = 0.1 mV RMS to 10 mV RMS
- Line Input: Unbalanced, Impedance 3000 ohms, Signal Level Range = 10 mV RMS to 400 mV RMS.

The output voltage is compatible with the ADPRO FastTrace/ADPRO FastTx audio channels.

Auxiliary Inputs/Outputs

Auxiliary inputs and outputs normally available on the ADPRO FastTrace or ADPRO FastTx.

Audio Outputs

10 audio outputs with screw connections. Switch setting enables the respective audio output corresponding to either the currently displayed video camera, or permanently enables output 1. The setting is independent of the audio input setting.

Output power of 1 W (max) into 8 ohms. Maximum output voltage swing of the ADPRO VM22A is 8 V peak to peak (with a 12 V supply).

Individual volume control on each output.

For applications requiring up to 4 Watts of power (8 ohms) an external audio amplifier may be connected to the ADPRO VM22A.

Power Supply Requirements

12 VDC SELV supply for specified output levels.

10-15 VDC operating range. 2.4 watts (max) at 12 VDC.

Construction and Dimensions

Unsealed beige plastic case for indoor use.

205 mm (8.1") x 165 mm (6.5") x 65 mm (2.6").

Expansion I/O

The ADPRO VM22A connects to the ADPRO FastTrace or ADPRO FastTx video transmission system via the Expansion I/O port which provides the audio channels and switching control signals. 15 way ribbon cable provided (1 metre max).

Weight

650 grams (23 ounces).

Operating Conditions

Operating temperature range 0°C–50°C

(32°F–122°F).

Humidity less than 90% non-condensing.

EMC and Safety Compliance

FCC Part 15 Class A Unintentional Radiators

EN55022: 1998 / CISPR 22: 1997 Class A

AS / NZS 3548: 1995 Amendment 2: 1997

EN 50082-1: 1997 Immunity

EN60950: 1992 Safety

Warranty

Twenty four (24) months.

www.xtralis.com

The Americas +1 781 740 2223 Asia +852 2916 8894 Australia and New Zealand +61 3 9936 7000
Continental Europe +32 56 24 19 51 UK and the Middle East +44 1442 242 330

The contents of this document are provided on an "as is" basis. No representation or warranty (either express or implied) is made as to the completeness, accuracy or reliability of the contents of this document. The manufacturer reserves the right to change designs or specifications without obligation and without further notice. Except as otherwise provided, all warranties, express or implied, including without limitation any implied warranties of merchantability and fitness for a particular purpose are expressly excluded.

This document includes registered and unregistered trademarks. All trademarks displayed are the trademarks of their respective owners. Your use of this document does not constitute or create a licence or any other right to use the name and/or trademark and/or label.

This document is subject to copyright owned by Xtralis AG ("Xtralis"). You agree not to copy, communicate to the public, adapt, distribute, transfer, sell, modify or publish any contents of this document without the express prior written consent of Xtralis.

Doc. no. 11194_10

ADPRO[®]
by **xtralis**[™]