



## BH209 and BH208

### Video Distribution Amplifier and expander units



BH209



BH208

### Overview

The BH209 is a single channel Video Distribution Amplifier that when used on its own will split a video signal into two identical outputs with no loss of signal strength or signal quality. When used with one BH208 up to seven outputs can be achieved and with two BH208 can give up to twelve outputs.

The BH208 is a passive expander unit that increases the number of output video signals, each unit accepts one expander input from the BH209 and gives five extra video outputs with no loss of signal strength or signal quality. The BH208 cannot be used independently, as it requires a BH209 as the video driver.

The BH209's installer-friendly design has tool-less adjustable gain and high frequency lift controls. This stand-alone unit is fully RoHS compliant and also comes complete with 230V plug-top 12V DC power supply (110V available on request).

### Technical Information for BH209

<b>INPUT SIGNAL</b>	Nominal 1.0V Pk-Pk @ 75Ω composite video signal. Suitable for either colour or monochrome video
<b>OUTPUT SIGNAL AT UNITY GAIN</b>	Nominal 1.0V Pk-Pk @ 75Ω (unit set to Unity Gain)
<b>GAIN CONTROL</b>	Differential Phase <math><3^\circ</math>. Differential Gain <math><3\%</math>
<b>HF LIFT CONTROL</b>	Variable from -2.0dB to +6.0dB
<b>INPUT CONNECTOR</b>	Variable from 0dB to +6.0dB @ 4.4MHz
<b>OUTPUT CONNECTORS</b>	BNC type coax connector
<b>SURGE PROTECTION</b>	Four BNC type coax connectors, consisting of two 75 Ohm video outputs and two expander outputs
<b>POWER</b>	Transorbs fitted as standard
<b>OPERATING TEMP</b>	12V DC 200 mW power consumption connected via spring loaded screw less terminal block
<b>DIMENSIONS</b>	-30°C to +45°C
<b>MOUNTING</b>	132mm L x 45mm W x 23mm H (excluding BNC connectors)
	Via 2 x 3.5mm holes for convenient screw fixing

Addlestone Electronics Ltd, Church Lane, Bisley, Surrey. GU24 9EA

Tel: +44 (0)1483 480969 Fax: +44 (0)1483 797268

Email: [Support@Addlestone-Electronics.co.uk](mailto:Support@Addlestone-Electronics.co.uk) Website: [www.Addlestone-Electronics.co.uk](http://www.Addlestone-Electronics.co.uk)



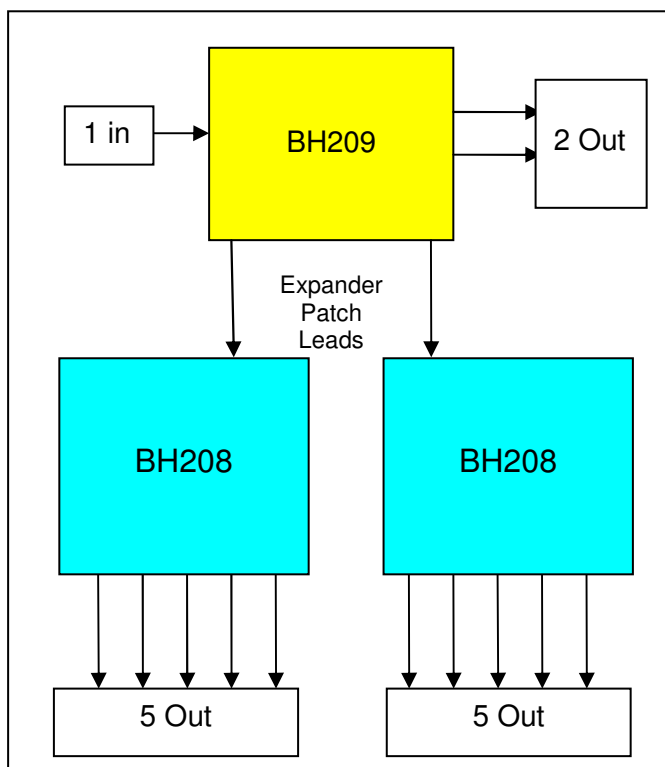
## BH209 and BH208

### Video Distribution Amplifier and expander units

#### Technical Information for BH208

**INPUT CONNECTOR** BNC type coax connector  
**OUTPUT CONNECTORS** Five BNC type coax connectors

#### Diagram to show how part number BH208 relates to BH209



#### Ordering Information

For a quotation, further details or technical support and advice, contact us by phone, fax or email, quoting part number BH209 and BH208. Contact details are below.

#### **Products available for use with BH209 and BH208:**

Part Number	Description
BH184	Video Launch Amplifier for unbalanced video signal, coax in/out
BH187	Line Corrector for unbalanced video signal, coax in/out

#### About Addlestone Electronics

The team at Addlestone Electronics have been designing and manufacturing specialist products for the CCTV industry for over 40 years. Our tradition of high quality and innovation has earned us an enviable reputation in the industry. We continue to lead the way with excellence in our field, offering first class support for users, distributors and installers and testing 100% of all products before dispatch from the factory.

Addlestone Electronics Ltd, Church Lane, Bisley, Surrey. GU24 9EA  
Tel: +44 (0)1483 480969 Fax: +44 (0)1483 797268  
Email: [Support@Addlestone-Electronics.co.uk](mailto:Support@Addlestone-Electronics.co.uk) Website: [www.Addlestone-Electronics.co.uk](http://www.Addlestone-Electronics.co.uk)